



Installation Manual

EVOLUTION™ SERIES

THE NEW STANDARD IN SOUND AND GRIND PERFORMANCE

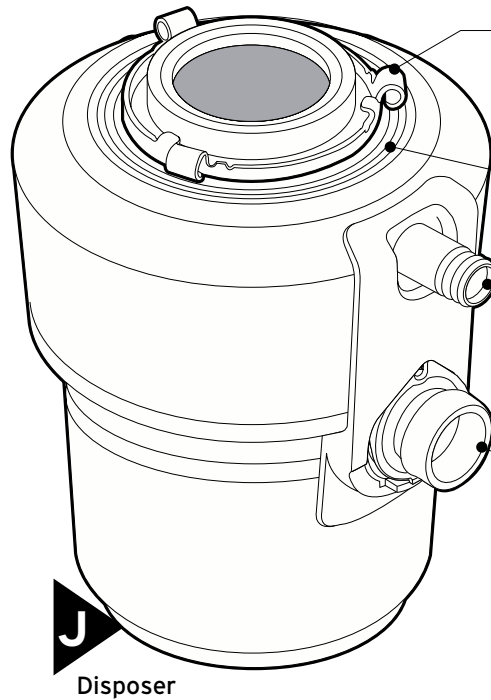
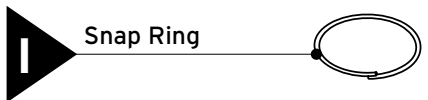
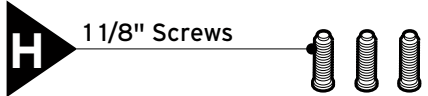
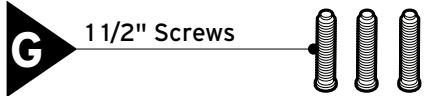
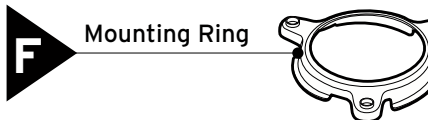
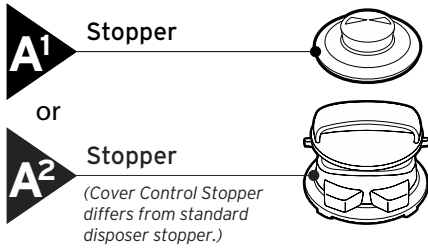
The Evolution series by InSinkErator® is a new standard in sound and grind performance. Featuring exclusive patented **SoundSeal™** and **MultiGrind™** technologies, no food waste disposer grinds more with less noise.



AnswerLine™
1-800-558-5700

www.insinkerator.com

Parts Included:



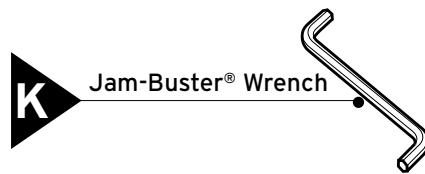
Lower Mounting Ring

Anti-Vibration Mount™

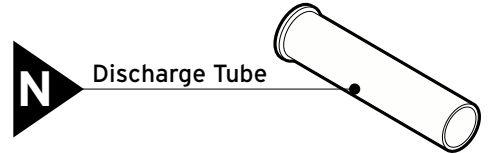
Dishwasher Inlet

Anti-Vibration Tailpipe Mount™

J Disposer



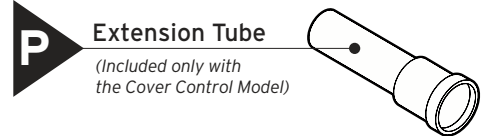
K Jam-Buster® Wrench



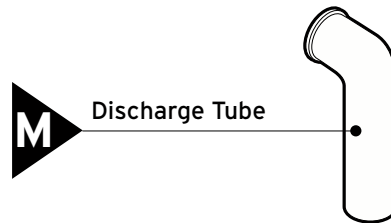
N Discharge Tube



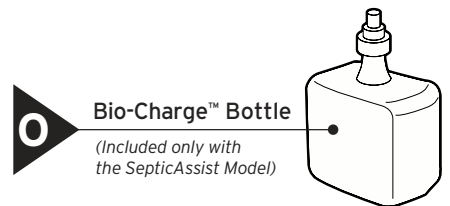
L Hose Clamp



P Extension Tube
(Included only with the Cover Control Model)

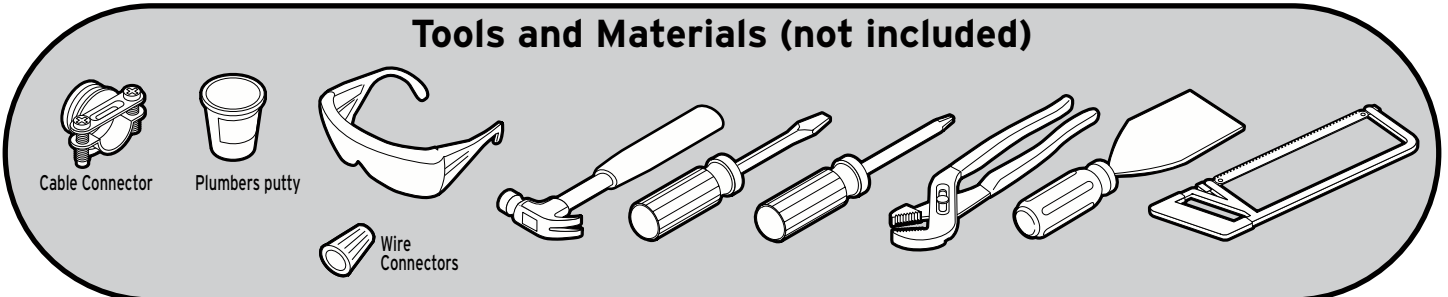


M Discharge Tube

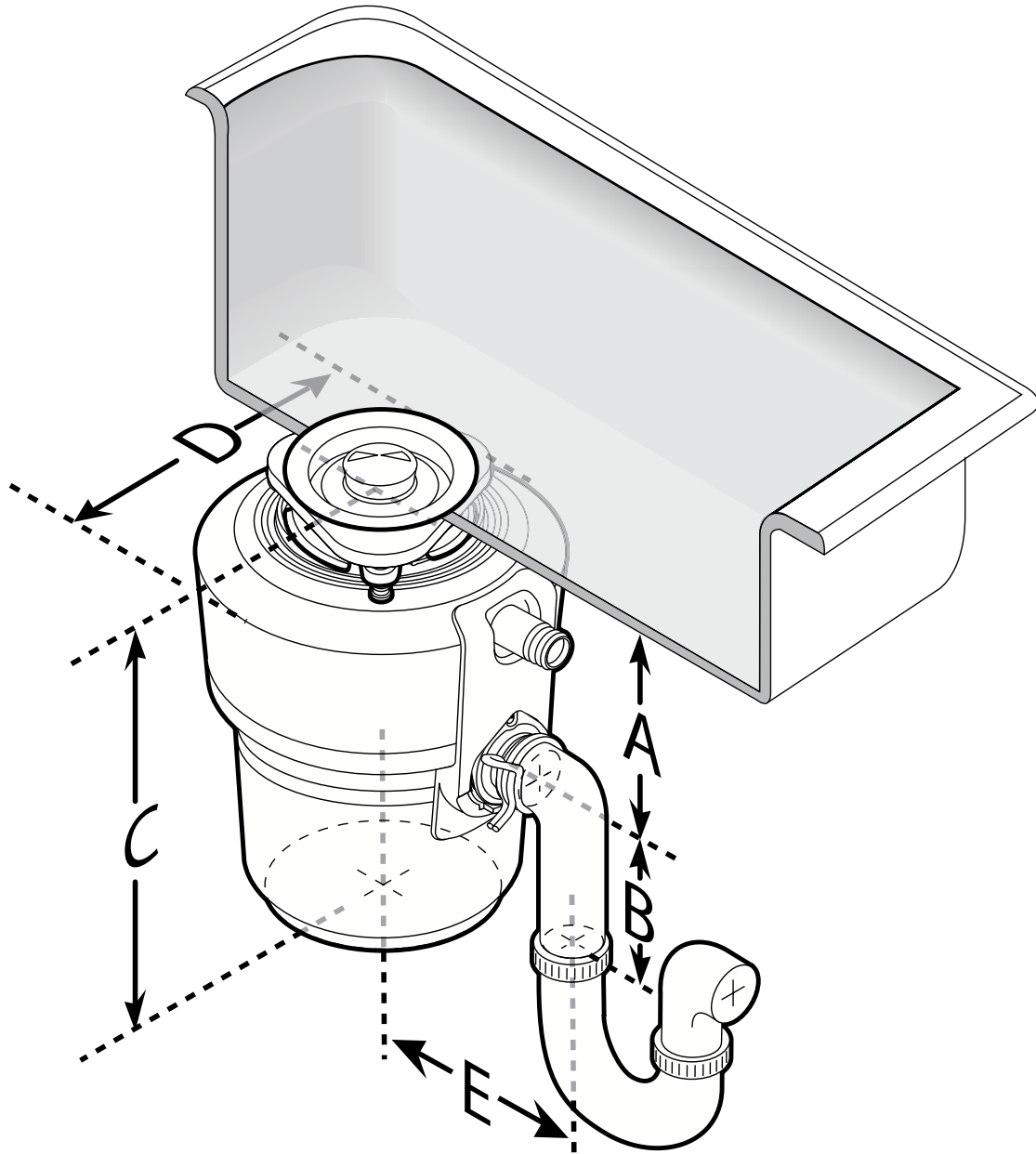


O Bio-Charge™ Bottle
(Included only with the SepticAssist Model)

Tools and Materials (not included)



Dimensions:

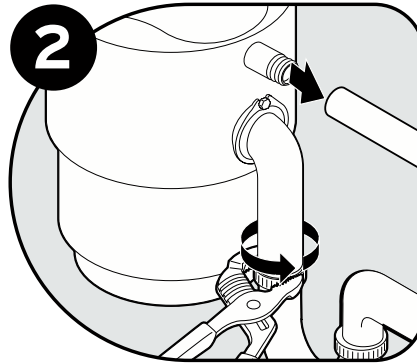


Model	A	B	C	D	E
Excel	6 11/16"	4"	13 1/2"	9"	5 3/4"
Premier	6 11/16"	4"	12 5/8"	8 3/4"	5 3/4"
Essential	6 11/16"	4"	12 5/8"	8 3/4"	5 3/4"
Compact	6"	4"	12 1/8"	8"	5 3/4"
Space Saver	6"	4"	12 1/8"	8"	5 3/4"
Cover Control	6 11/16"	4"	13 1/2"	10"	5 3/4"
SepticAssist	6 11/16"	4"	12 5/8"	8 3/4"	5 3/4"

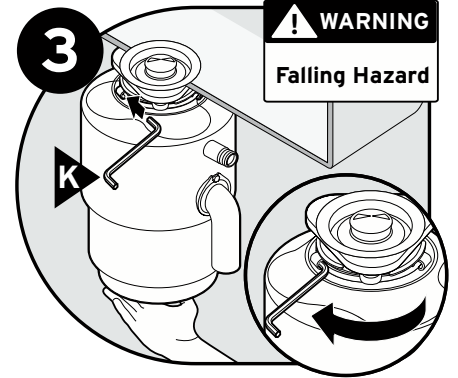
Removal of old disposer:

1 If you are replacing an existing disposer, continue to Step 2. If there is no existing disposer, disconnect sink drain and skip to Step 10.

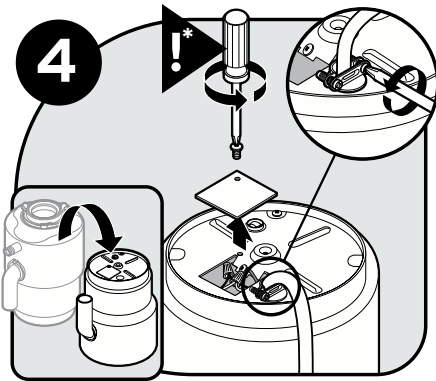
⚠ WARNING
SHOCK HAZARD
 Turn off electric power at fuse box or circuit breaker.



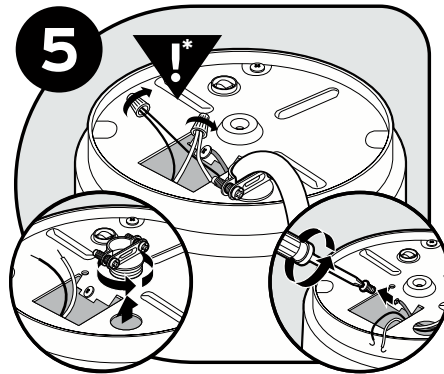
Disconnect drain trap from waste discharge tube. Disconnect dishwasher if connected to the disposer.



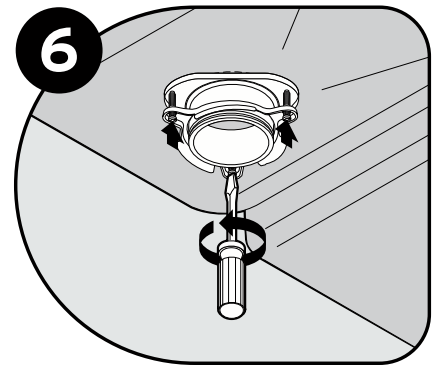
Support disposer, insert end of Jam-Buster® wrench (K) into right side of mounting lug, and turn. Disposer will fall free.



***WARNING: SHOCK HAZARD**
 With the electrical supply turned off, flip disposer over and remove electrical cover plate. Save cable connector if applicable.

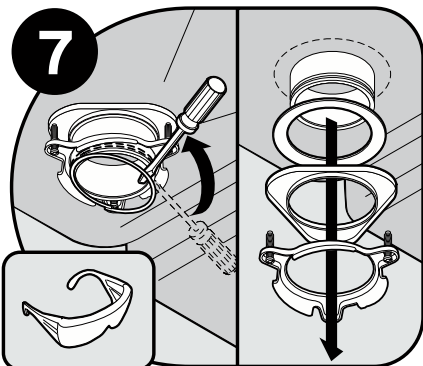


***WARNING: SHOCK HAZARD**
 With the electrical supply turned off, disconnect the disposer wires from the electrical supply.

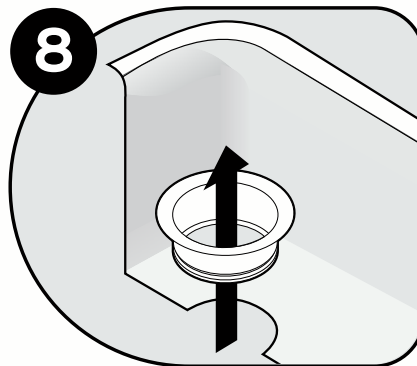


Loosen the 3 screws on the mounting assembly.

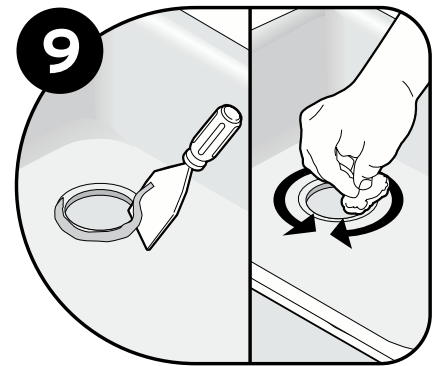
If the new disposer mounting is the same as the old one, you can go to step 15. Note: For sinks thicker than 3/8", you will need to replace existing 1 1/2" screws with 1 1/8" screws (H). See step 14.



Using a screwdriver, remove the snap ring.



Remove flange from sink.



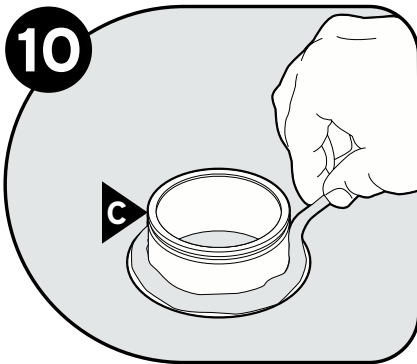
Remove old plumber's putty from sink with putty knife.

Installation of new disposer:

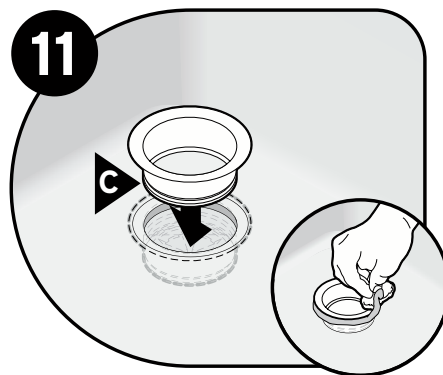
⚠ CAUTION

CLEAN DRAIN LINE
BEFORE INSTALLING DISPOSER

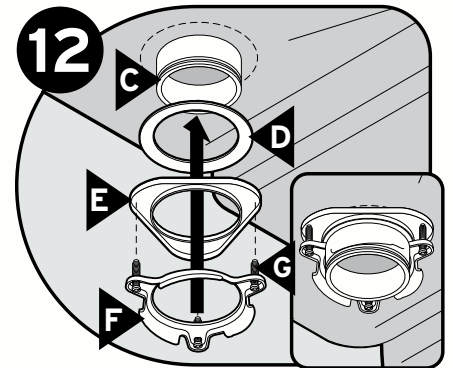
Failure to clean sink drain line may result in drain line blockage. With drain auger, clear all hardened waste material in horizontal drain line.



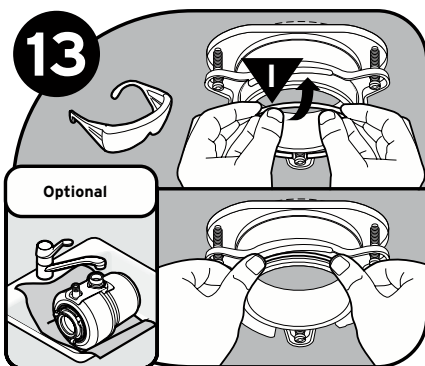
Evenly apply 1/2" thick rope of plumber's putty around flange (C).



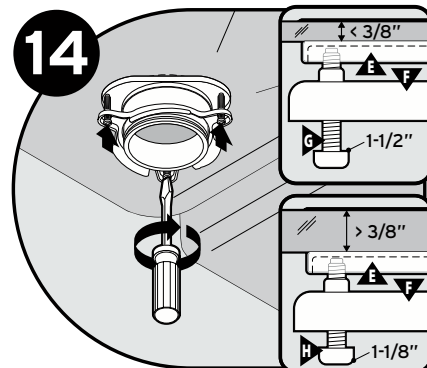
Press flange (C) firmly into sink drain. Remove excess putty.



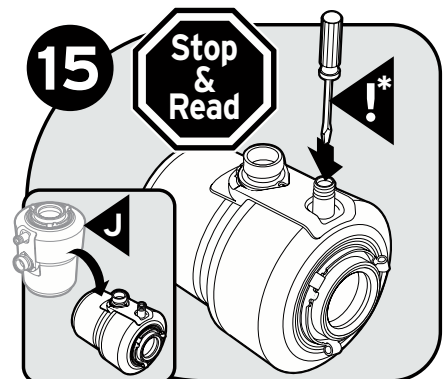
Insert fiber gasket (D), backup flange (E) and mounting ring (F). Hold in place while inserting snap ring (I).



Place a weight such as the disposer on the sink flange to hold it in place. Use a towel to prevent scratching sink. Pull snap ring open and press firmly until it snaps into place.

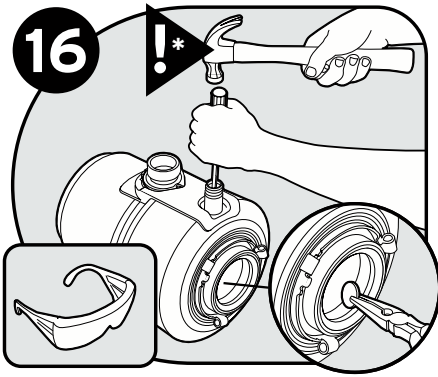


Tighten 1 1/2" screws (G) evenly and firmly against backup flange. Use shorter 1 1/8" screws (H) if sink is more than 3/8" thick.

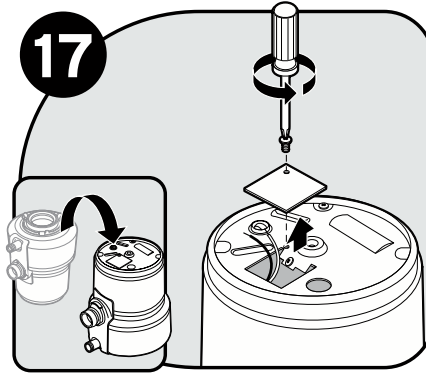


***CAUTION: DISHWASHER CONNECTION ONLY** If you do not need to attach the dishwasher, go to step 17. Turn disposer (J) onto side and insert screwdriver into dishwasher inlet.

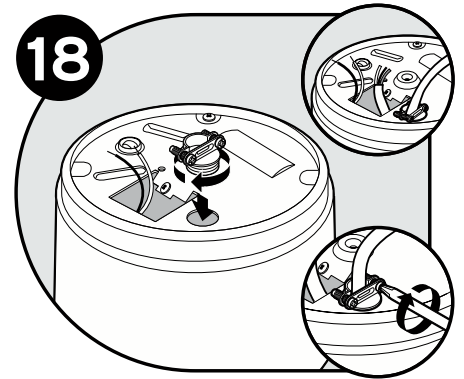
Installation of new disposer (continued):



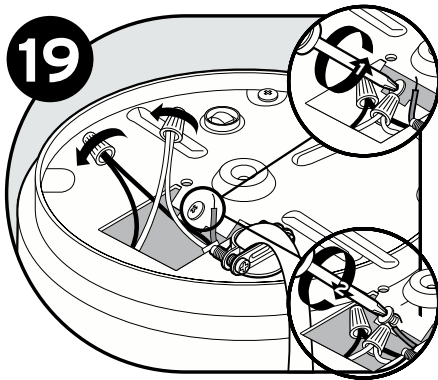
***CAUTION: DISHWASHER CONNECTION ONLY** Knock out drain plug and remove plug from inside of disposer.



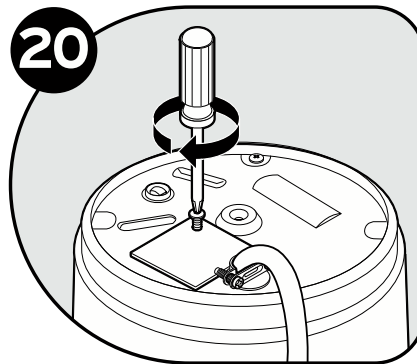
***WARNING: SHOCK HAZARD.** Turn disposer over and remove electrical cover plate. Pull out wires. **DO NOT REMOVE CARDBOARD SHIELD.**



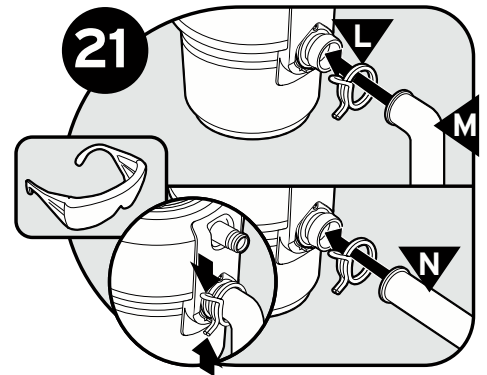
***WARNING: SHOCK HAZARD.** With electrical supply turned off, insert cable connector (not included) and run electrical cable through access hole on bottom of disposer. Tighten cable connector.



***WARNING: SHOCK HAZARD** Connect white to white and black to black or red with wire nuts (not included); ground wire to green grounding screw. Unit must be grounded for safe and proper installation.



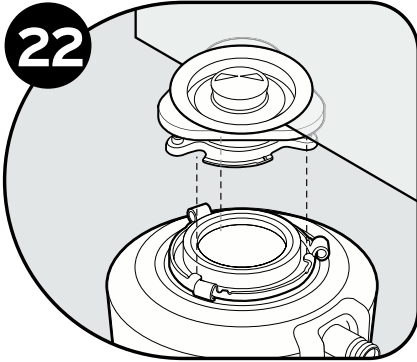
Push wires into disposer (do not displace cardboard shield) and replace electrical cover plate.



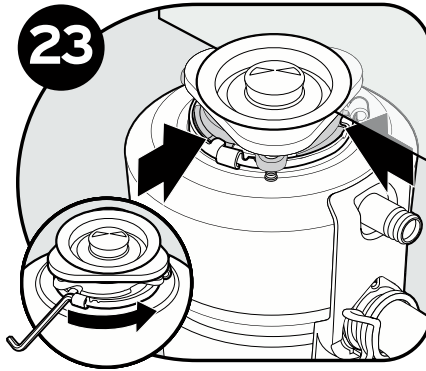
Place tube (M or N) into Anti-Vibration Tailpipe Mount. Use provided tubes for best results. Secure with hose clamp (L).

***CAUTION:** USE ONLY INSINKERATOR SUPPLIED HOSE CLAMP. NON-APPROVED CLAMPS WILL VOID WARRANTY AS THEY WILL DAMAGE THE ANTI-VIBRATION TAILPIPE MOUNT

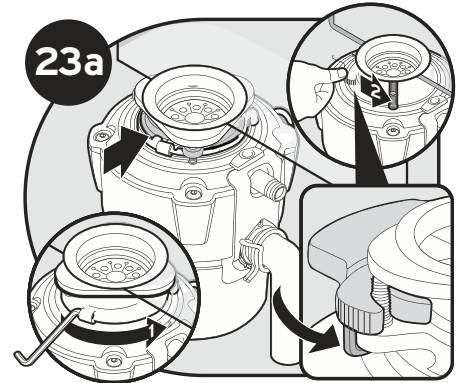
Installation of new disposer (continued):



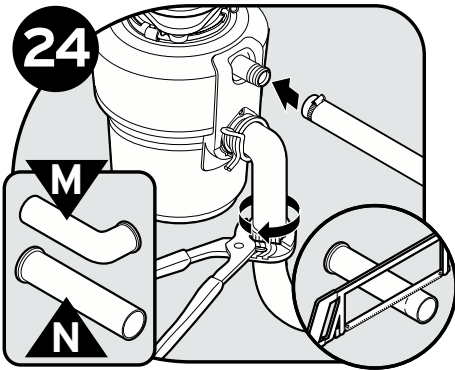
22 Hang disposer by aligning 3 mounting tabs with slide-up ramps on mounting ring.



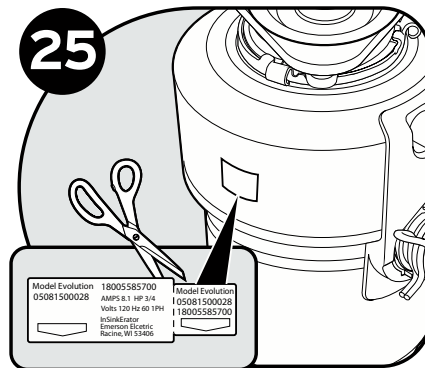
23 Turn mounting ring until all 3 mounting tabs lock over the ridges on the slide-up ramps.



23a (COVER CONTROL MODEL ONLY) Turn mounting ring until all 3 mounting tabs lock over the ridges on the slide-up ramps. Attach magnetic cover control switch to the screws. Make sure plastic guides go UNDER mounting ring.



24 You may need to trim tube for proper fit. Reconnect plumbing (and dishwasher connection if used). Make sure Anti-Vibration Tailpipe Mount is straight.



25 Detach removable portion of spec label and place on a visible location.

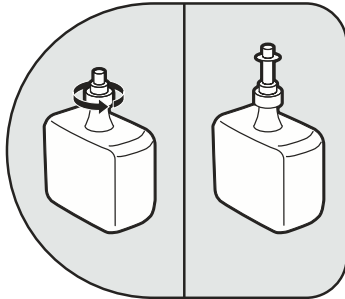


26 Insert Quiet Collar™ Sink Baffle into sink opening. Fill sink with water, then test for leaks.

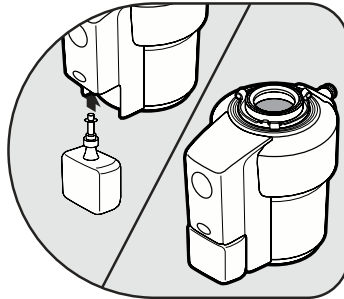
INSTALLING AND REPLACING THE BIO-CHARGE™ BOTTLE

(For SepticAssist Model Only.)

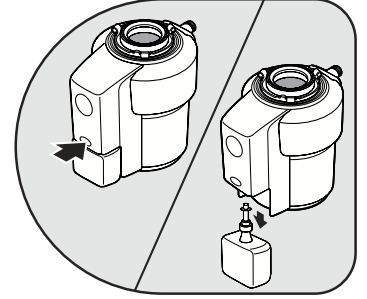
INSTALLING THE BIO-CHARGE BOTTLE: Use only InSinkEerator Bio-Charge™. See "Changing Bio-Charge™ Bottle" for safety instructions and information on obtaining Bio-Charge replacements. Do not squeeze the Bio-Charge bottle; squeezing the bottle may cause the Bio-Charge to discharge and spill.



Unscrew Bio-Charge™ dispenser cap nozzle counterclockwise until nozzle pops upward to dispensing position. Do not remove dispenser cap nozzle.



Aligning bottle with concave side toward disposer, insert bottle up into holder until you hear a click and bottle snaps into place. Pull bottle down slightly to ensure it is engaged.



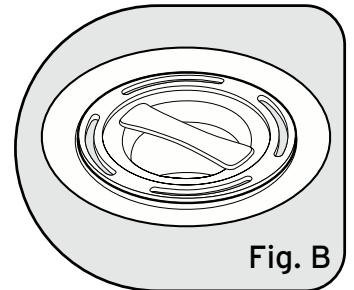
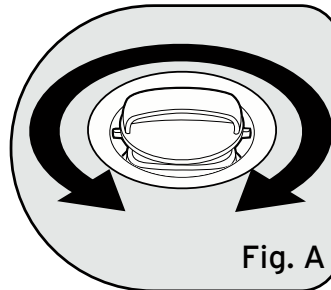
Make sure disposer is off. Press button on disposer just above the bottle and pull bottle down to remove it. (Do not refill or reuse empty bottle.)

OPERATING INSTRUCTIONS (CONTINUOUS FEED MODELS)

1. Remove stopper from sink opening and run strong flow of cold water.
2. Turn on wall switch to start disposer.
3. Slowly insert food waste into disposer and position stopper to minimize possible ejection of material while grinding.
4. After grinding is complete, turn disposer off and run water for a few seconds to flush drain line.












OPERATING INSTRUCTIONS (COVER CONTROL MODELS)

1. Place food waste into disposer grind chamber. Do not pack chamber with waste. Run a strong flow of cold water.
2. Place stopper back into sink opening in the disposer position (See Figure A).
3. Activate the disposer by turning the stopper left or right until the disposer begins grinding.
4. After grinding is complete, turn disposer off and run water for a few seconds to flush drain line.
4. In order to fill sink with water, invert the stopper to plug drain (See Figure B).



TIPS FOR TROUBLE-FREE OPERATION

- Run disposer along with a moderate to strong flow of cold water, continue run cold water for 15 seconds after grinding is complete.
- Avoid using hot water when grinding food waste. It is OK to drain hot water into the disposer between grinding periods.
- Avoid pouring grease or fat into your disposer or drain.

	Standard Disposers (Badger® Series)	 Multi Grind™ Technology (Evolution Series)	 Multi Grind™ Technology Plus with Jam-Sensor Circuit™ (Evolution Excel)
Everyday food waste scraps			
Vegetable Peels	Avoid grinding large amounts at one time – gradually feed peels in while disposer and water are both running		
Fibrous Materials (Celery, corn husks, artichokes)	Avoid grinding	Avoid grinding large amounts	
Hard Materials (Bones, fruit pits)	Avoid grinding large amounts		
Stop worrying about what food you can or can't put in your disposer	-	-	

- Use a disposer cleaner to relieve objectionable odors caused by build-up, or grind citrus fruit peels to freshen up drain area.
- Disposers may also be cleaned with Disposer Care®. This product is not sold by InSinkErator but is generally available in major home centers, hardware and grocery stores. For more information on Disposer Care®, contact Iron Out Inc. at 800-654-0791 or www.ironout.com.

USER MAINTENANCE INSTRUCTIONS

CLEANING DISPOSER

Over time, food particles may accumulate in the grind chamber and baffle. An odor from the disposer is usually a sign of grease and food buildup, caused by insufficient water flow during and after disposer use. To clean disposer:

1. Turn off disposer and disconnect power supply.
2. Place stopper in sink opening and fill sink halfway with warm water.
3. Mix 1/4 cup baking soda with water. Turn disposer on and remove stopper from sink at same time to wash away loose particles.
4. Remove Quiet Collar Sink Baffle and clean by hand or in dishwasher. Do not operate disposer without Quiet Collar Sink Baffle in place.

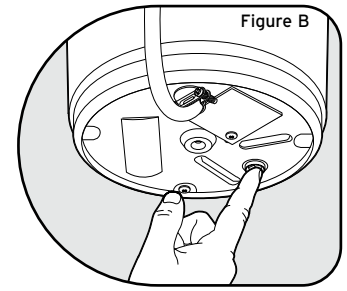
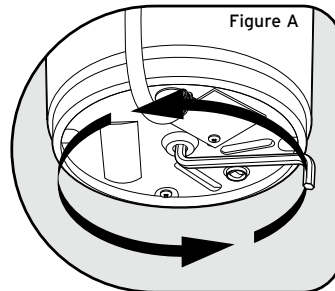
Disposers may also be cleaned with Disposer Care®. This product is not sold by InSinkEerator, but is generally available in major home centers, hardware, and grocery stores. For more information on Disposer Care®, contact Iron Out, Inc. at 1-800-654-0791 or www.ironout.com.

RELEASING DISPOSER JAM

This disposer is equipped with a Jam-Sensor Circuit™ that will prevent jams while grinding virtually any food material. In the unlikely event that the disposer is jammed, release it by following these steps.

If motor stops while disposer is operating, disposer may be jammed. To release jam:

1. Turn off disposer and water.
2. Insert one end of self-service wrenchette into center hole on bottom of disposer (see Figure A). Work wrenchette back and forth until it turns one full revolution. Remove wrenchette.
3. Reach into disposer with tongs and remove object(s). Allow disposer motor to cool for 3 - 5 minutes, then lightly push red reset button on disposer bottom (see Figure B). (If motor remains inoperative, check service panel for tripped circuit breakers or blown fuses.)



IN-HOME FULL SERVICE WARRANTY

Length of Warranty by Model:

Excel: 7 years	SpaceSaver: 4 years
Essential: 6 years	Cover Control: 7 years
Premier: 5 years	Septic Assist: 4 years
Compact: 4 years	

This warranty covers all replacement parts and repair labor to correct defects in disposer material and workmanship for the full warranty period from the date of installation in your home. If warranty service is required during the warranty period, contact an authorized InSinkEerator® service center to replace or repair the unit in your home at no cost to you. If you have questions concerning your disposer or determining when service is needed, please call the toll free InSinkEerator® AnswerLine™ to obtain the name of the authorized service center nearest you. The toll free number is 1 (800) 558-5700, or visit our website at www.insinkerator.com.

This warranty gives you specific legal rights and you may also have other rights which vary from state to state. If the manufacturer determines the unit should be replaced rather than repaired, the warranty on the replacement unit will be limited to the unexpired term of the original warranty. No other express warranty, written or oral, applies.

If your disposer does not operate, follow these steps in order:

1. Check the things you can do yourself. Be sure the disposer is connected to the electric power and the fuses or circuit breakers are in working order. Reread the instruction book to ensure that you are operating the disposer correctly.

2. Call InSinkEerator®, or visit our website for information or for the location of the authorized service center nearest you. The toll free number is 1 (800) 558-5700, or visit our website at www.insinkerator.com.

3. Write to us if a satisfactory solution is not reached in steps 1 and 2. Our address is:

InSinkEerator®
Service Department
4700 21st Street
Racine, Wisconsin 53406 USA

When writing or calling, supply the following information: date, your name, your address, and your phone number. Describe the product by model number, serial number, date purchased, place purchased, and service history (including name and address of service agent). Clearly describe the problem and service required.

NOTE: Warranty is determined by unit serial number and date of installation. Purchase or installation receipt may be required to verify warranty status.

The foregoing warranty does not apply to damage or inoperation resulting from accident, alteration, misuse, abuse, improper installation, installation not in accordance with these instructions or local electrical and plumbing codes. Warranty will be voided if installed in a commercial or industrial application.

INSTRUCTIONS PERTAINING TO RISK OF FIRE, ELECTRIC SHOCK, OR INJURY TO PERSONS (SAVE THESE INSTRUCTIONS)

⚠ WARNING

Personal Injury: Do not position your head or body under disposer; unit could fall during removal or installation.

⚠ WARNING

Do not operate disposer without the Anti-Vibration Tailpipe Mount™, as water leaks may result.

⚠ CAUTION

Do not use plumber's putty on any other disposer connection other than sink flange. Do not use thread sealants or pipe dope. These may harm disposer and cause property damage.

⚠ CAUTION

Regularly inspect disposer and plumbing fittings for water leaks, as water leaks can cause property damage. Manufacturer cannot be held responsible for property damage as a result of water leaks.

⚠ WARNING

Electric Shock: Improper connection of the equipment-grounding conductor can result in a risk of electric shock. Check with a qualified electrician or serviceman if you are in doubt as to whether the appliance is properly grounded. Do not modify the plug provided with the appliance - if it will not fit the outlet, have a proper outlet installed by a qualified electrician.

- This disposer must be properly grounded.
- Do not attach ground wire to gas supply pipe.
- Disconnect power before installing or servicing disposer.
- If three-prong grounded plug is used, plug must be inserted into three-hole grounded receptacle.
- All wiring must comply with local electrical codes.
- Do not reconnect electrical current at main service panel until proper grounds are installed.

When using electric appliances, basic precautions are always to be followed, including:

- Read all instructions before using the appliance.
- To reduce the risk of injury, close supervision is required when an appliance is used near children.
- Do not put fingers or hands into a waste disposer.
- Turn the power switch to the off position before attempting to clear a jam, removing an object from the disposer or pressing reset button.
- When attempting to loosen a jam in a waste disposer, use the self-service wrenchette.
- To reduce the risk of injury by materials that are expellable by a waste disposer, do not operate the disposer without the Quiet Collar™ Sink Baffle in place. Do not put the following into a disposer: clam or oyster shells, caustic drain cleaners or similar products, glass, china, or plastic, large (whole) bones, metal (such as bottle caps, steel shot, tin cans, or utensils), hot grease or other hot liquids.
- When attempting to remove objects from a waste disposer, use long-handled tongs or pliers.
- This product is designed to dispose of normal household food waste; inserting materials other than food waste into disposer could cause personal injury and/or property damage.
- To reduce the risk of injury, do not use the sink containing the disposer for purposes other than food preparation (such as baby bathing or washing hair).
- Do not dispose of the following in the disposer: paints, solvents, household cleaners and chemicals, automotive fluids, plastic wrap.
- Replace Quiet Collar Sink Baffle when worn to help prevent entry or ejection of material and water.
- FIRE HAZARD: Do not store flammable items such as rags, paper or aerosol cans near disposer. Do not store or use gasoline or other flammable vapors and liquids in vicinity of disposer.

⚠ CAUTION

CLEAN DRAIN LINE
BEFORE INSTALLING DISPOSER

Failure to clean sink drain line may result in drain line blockage. With drain auger, clear all hardened waste material in horizontal drain line.