
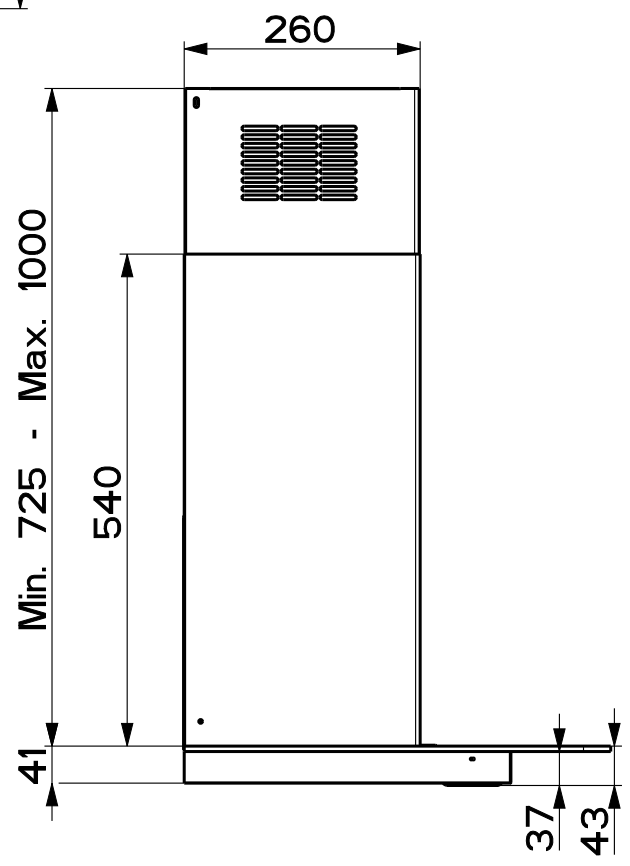
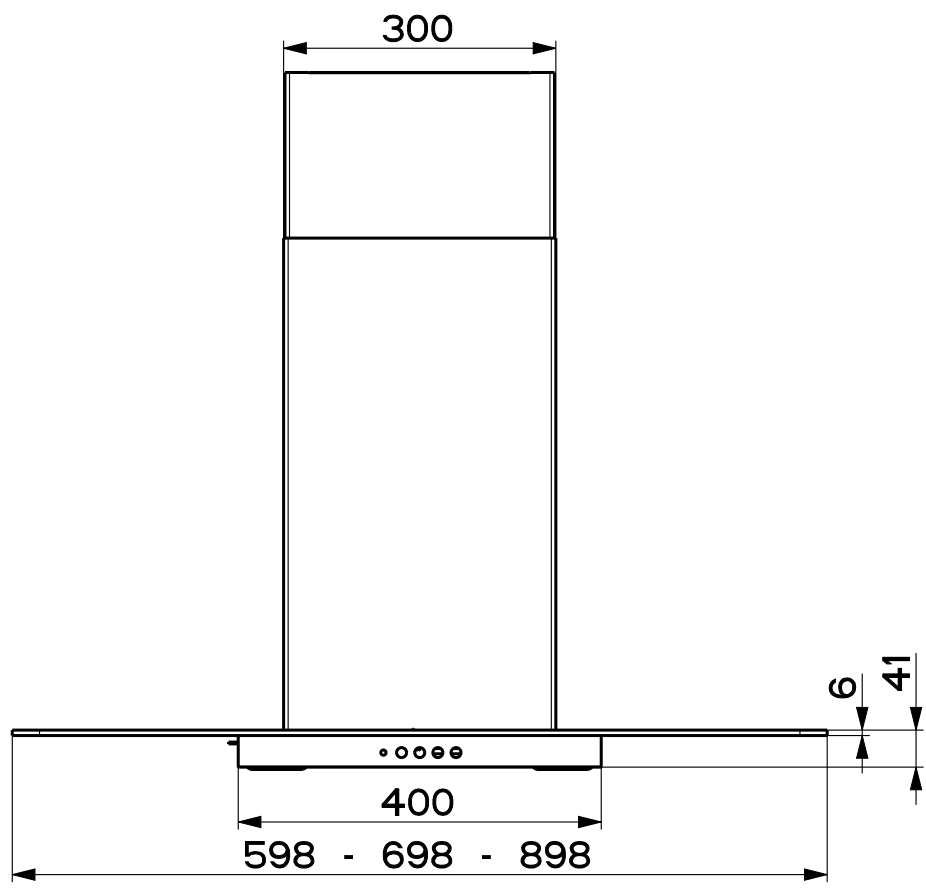
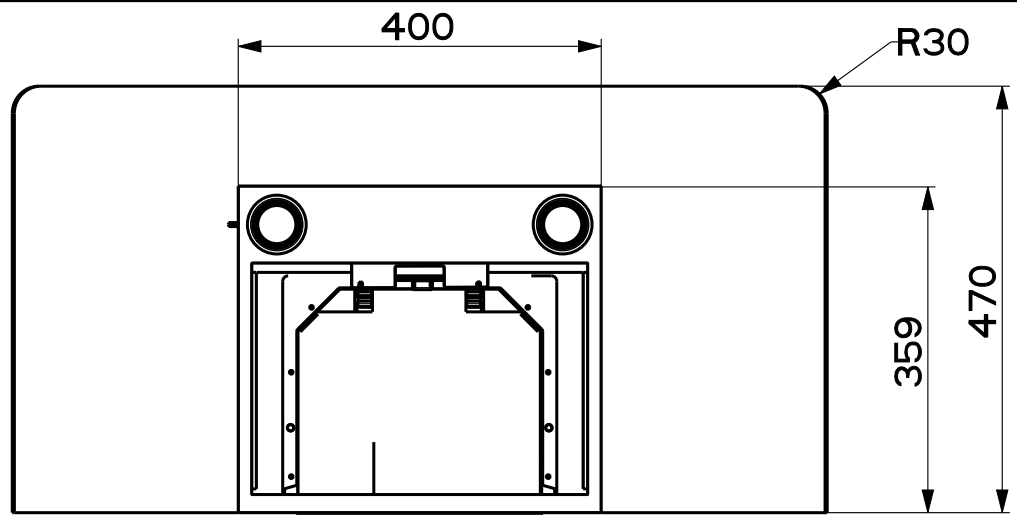


Created by tcimport	
Denomination COOKER HOOD ASSEMBLY	
Lang EN 	Sheet 1/2
Modif. by KAD3	
Approved by KAD3	
Approval date 31-Jul-2019	
Doc. status Released	
Drawing N. AP9_806	Rev 01



Created by tcimport	
Denomination COOKER HOOD ASSEMBLY	
Lang EN	Sheet 2/2
Modif.by KAD3	
Approved by KAD3	
Approval date 31-Jul-2019	
Doc. status Released	
Drawing N. AP9_806	Rev 01