



KitchenAid

6.9 L PROFESSIONAL BOWL-LIFT STAND MIXER

Original Instructions

**KÜCHENMASCHINE MIT SCHÜSSELHEBER UND 6,9 L SCHÜSSEL
FÜR DEN GEWERBLICHEN EINSATZ**

Originalanleitungen

ROBOT SUR SOCLE PROFESSIONNEL À BOL RELEVABLE DE 6,9 L

Instructions d'origine

ROBOT DA CUCINA PROFESSIONALE CON SOLLEVAMENTO CIOTOLA DA 6,9 L

Istruzioni originali

6,9 L PROFESSIONELE MIXER/KEUKENROBOT MET IN DE HOOGTE VERSTELBARE KOM

Originele instructies

BATIDORA PROFESIONAL DE PIE CON BOL ELEVABLE DE 6,9 L

Instrucciones originales

BATEDEIRA PROFISSIONAL COM SUPORTE PARA TAÇA DE 6,9 L

Intruções originais

ΕΠΑΓΓΕΛΜΑΤΙΚΟ ΜΙΞΕΡ ΜΕ ΒΑΣΗ ΚΑΙ ΥΠΕΡΥΨΩΜΕΝΟ ΜΠΟΛ 6,9 L

Αρχικές οδηγίες

6,9 L PROFESSIONELL KÖKSMASKIN MED SKÅL PÅ HÄVARM

Originalinstruktioner

6,9 L BOLLELØFTENDE KJØKKENMASKIN

Originale instruksjoner

6,9 L AMMATIKÄYTTÖÖN TARKOITETTU YLEISKONE

Alkuperäiset ohjeet

6,9 L PROFESSIONEL KØKKENMASKINE MED SKÅLLØFT

Originale Instruktioner

6,9 L BORDHRÆRIVÉL MED LYFTANLEGRI SKÁL FYRIR FAGFÓLK

Upphaflegar leiðbeiningar

ПРОФЕССИОНАЛЬНЫЙ МИКСЕР СО СЪЕМНОЙ ЧАШЕЙ 6,9 л

Оригинальные инструкции

PROFESJONALNY MIKSER STOJĄCY Z PODNOSZONĄ DZIEŻĄ 6,9 L

Originalna instrukcja

PROFESIONÁLNÍ KUCHYŇSKÝ ROBOT SE ZVEDACÍ MÍSOU O OBJEMU 6.9 L

Originální pokyny

PROFESIONÁLNY KUCHYŇSKÝ ROBOT SO ZDVÍHACOU MISOU O OBJEME 6,9 L

Originálne pokyny

MIXER PROFESIONAL CU SOCLU ŞI BOL DE 6,9 L

Instrucţiuni originale

ПРОФЕССИОНАЛЕН КУХНЕНСКИ РОБОТ С ПОВДИГАЩА СЕ КУПА С ВМЕСТИМОСТ 6,9 L

Оригинални инструкции

Model 5KSM7990*



Table of Contents

STAND MIXER SAFETY

- Important Safeguards 3
- Electrical Requirements 4
- Electrical Waste Disposal 4

PARTS AND FEATURES 5

SETTING UP YOUR STAND MIXER

- Assembling Your Stand Mixer 6
- Adjusting Your Beater to Bowl Clearance..... 8

USING YOUR STAND MIXER

- Using Your KitchenAid Accessories 8
- Speed Control Guide - 10 Speed Stand Mixers 9

CARE AND CLEANING..... 10

TIPS FOR GREAT RESULTS

- Planetary Mixing Action 11
- Mixing Time 11
- Mixer Use..... 11
- Mixing Tips..... 11

SERVICE AND WARRANTY

- When You Need Service 12
- KitchenAid Commercial Bowl-Lift Stand Mixer Warranty 12
- Service Centers 13
- Customer Service 13

STAND MIXER SAFETY

English

Your safety and the safety of others are very important.

We have provided many important safety messages in this manual and on your appliance. Always read and obey all safety messages.



This is the safety alert symbol.

This symbol alerts you to potential hazards that can kill or hurt you and others.

All safety messages will follow the safety alert symbol and either the word "DANGER" or "WARNING." These words mean:

! DANGER

You can be killed or seriously injured if you don't immediately follow instructions.

! WARNING

You can be killed or seriously injured if you don't follow instructions.

All safety messages will tell you what the potential hazard is, tell you how to reduce the chance of injury, and tell you what can happen if the instructions are not followed.

IMPORTANT SAFEGUARDS

When using electrical appliances, basic safety precautions should always be followed, including the following:

1. Read all instructions.
2. To protect against risk of electrical shock, do not put Stand Mixer in water or other liquid.
3. Close supervision is necessary when any appliance is used by or near children.
4. Unplug Stand Mixer from outlet when not in use, before putting on or taking off parts and before cleaning.
5. Avoid contacting moving parts. Keep hands, hair, clothing, as well as spatulas and other utensils away from beater during operation to reduce the risk of injury to persons and/or damage to the Stand Mixer.
6. Do not operate Stand Mixer with a damaged cord or plug or after the Stand Mixer malfunctions, or is dropped or damaged in any manner.
7. The use of attachments not recommended or sold by KitchenAid may cause fire, electrical shock or injury.
8. Do not use the Stand Mixer outdoors.
9. Do not let the cord hang over edge of table or counter.
10. Remove flat beater, wire whip or dough hook from Stand Mixer before washing.
11. This appliance is not intended for use by persons (including children) with reduced physical sensory or mental capabilities, or lack of experience and knowledge, unless they have been given supervision or instruction concerning use of the appliance by a person responsible for their safety.

SAVE THESE INSTRUCTIONS

THIS PRODUCT IS DESIGNED FOR COMMERCIAL USE

STAND MIXER SAFETY

English

⚠ WARNING



Electrical Shock Hazard

Plug into a grounded outlet.

Do not remove ground prong.

Do not use an adapter.

Do not use an extension cord.

Failure to follow these instructions can result in death, fire, or electrical shock.

Volts: 220-240 A.C.

Hertz: 50/60 Hz

Power: 325 W, Recommended operating time: 1-30 minutes with a duty cycle of 10-min. ON/ 15 min. OFF.

Do not use an extension cord. If the power supply cord is too short, have a qualified electrician or serviceman install an outlet near the appliance.

The wattage rating is determined by using the attachment that draws the greatest load (power). Other recommended attachments may draw significantly less power.

This product is supplied with a Y type power cord. If the power cord is damaged, it must be replaced by the manufacturer or a service agent in order to avoid a hazard.


The acoustic pressure level measured in conformity with the prEN 454-test code is less than 70 dBA.

A * in the model number indicates additional characters that designate machine color and engineering digits for the actual model (eg. 5KSM7990*).

Electrical Waste Disposal

This appliance is marked according to the European directive 2002/96/EC on Waste Electrical and Electronic Equipment (WEEE).

By ensuring this product is disposed of correctly, you will help avoid potential negative consequences for the environment and human health, which could otherwise be caused by inappropriate waste handling of this product.

The symbol  on the product, or on the documents accompanying the product, indicates that this appliance

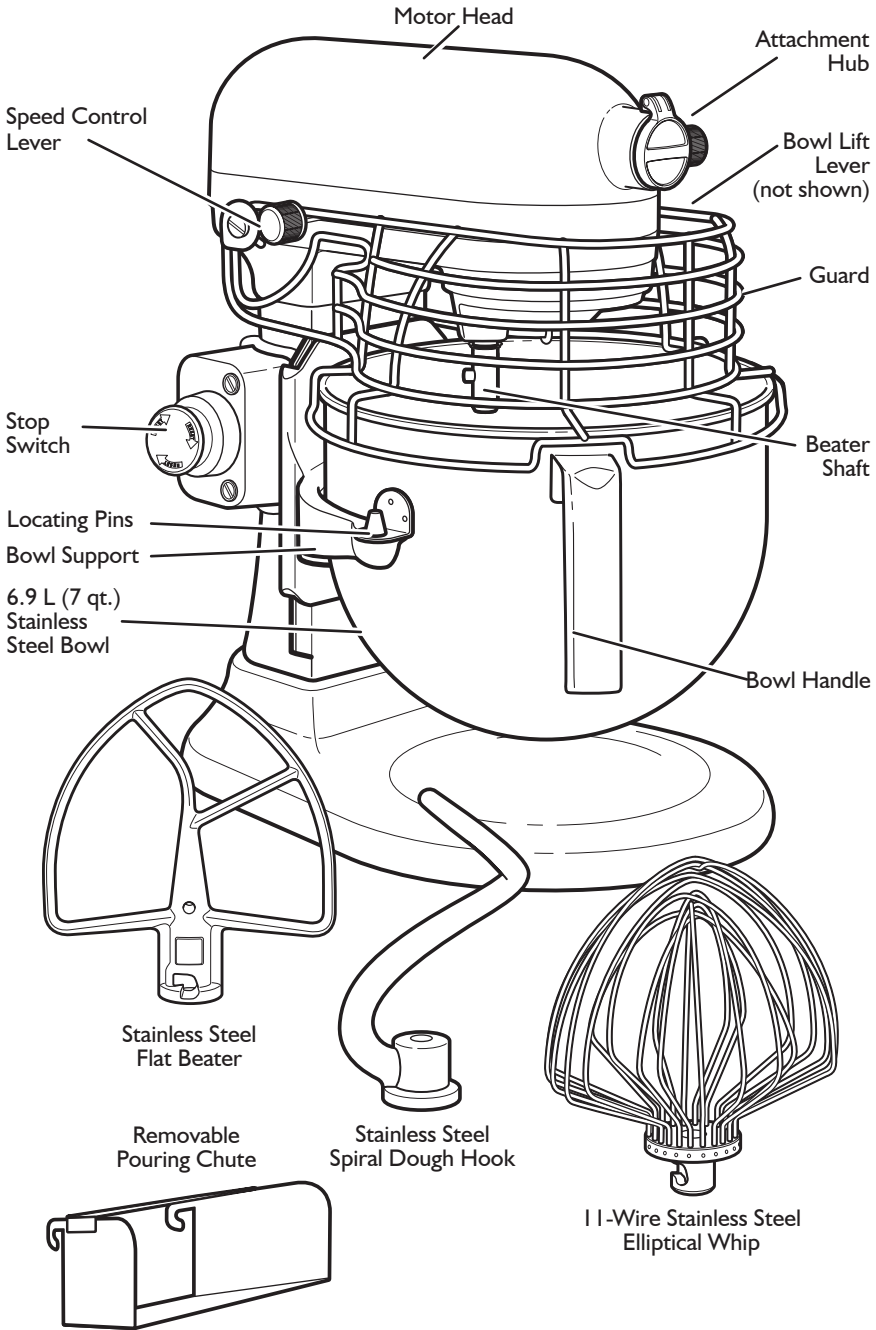
may not be treated as household waste. Instead it shall be handed over to the applicable collection point for the recycling of electrical and electronic equipment.

Disposal must be carried out in accordance with local environmental regulations for waste disposal.

For more detailed information about treatment, recovery and recycling of this product, please contact your local city office, your household waste disposal service or the shop where you purchased the product.

PARTS AND FEATURES

English



SETTING UP YOUR STAND MIXER

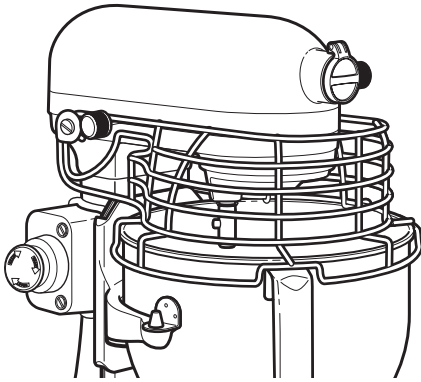
Assembling Your Stand Mixer

English

To Attach Bowl

1. Turn Speed Control Lever to "0" (OFF).
2. Unplug Stand Mixer or disconnect power.
3. Raise Guard.
4. Place Bowl Lift Lever in down position.
5. Fit Bowl Supports over Locating Pins.
6. Press down on back of bowl until bowl pin snaps into spring latch.

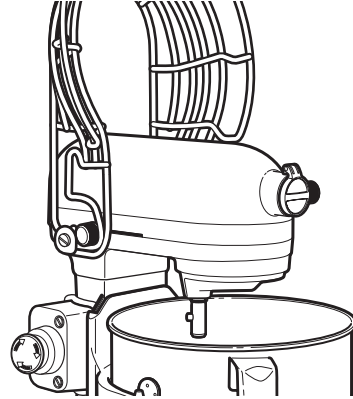
NOTE: If bowl is not securely snapped into place, the bowl will be unstable and wobble during use.



7. Lower Guard.
8. Raise bowl before mixing.

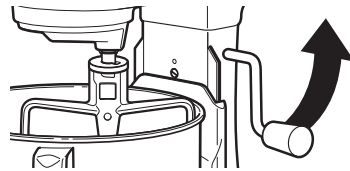
To Remove Bowl

1. Turn Speed Control Lever to "0" (OFF).
2. Unplug Stand Mixer or disconnect power.
3. Raise Guard.



4. Place Bowl Lift Lever in down position.
5. Remove Flat Beater, Wire Whip, or Dough Hook.
6. Grasp Bowl Handle and lift straight up and off Locating Pins.

To Raise Bowl



1. Rotate lever counterclockwise to straight-up position.
2. Bowl must always be in raised, locked position when mixing.

SETTING UP YOUR STAND MIXER

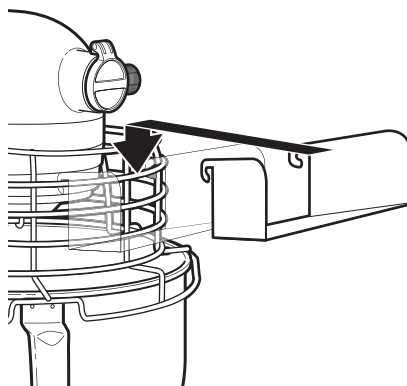
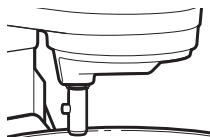
INSTALLATION: The stand mixer shall be installed on a level and stable surface such as a countertop or work table.

To Lower Bowl

1. Rotate lever back and down.

To Attach Flat Beater, Wire Whip, or Dough Hook

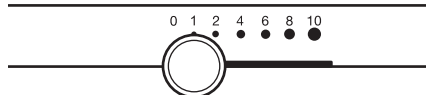
1. Turn Speed Control Lever to "0" (OFF).
2. Unplug Stand Mixer or disconnect power.
3. Raise Guard.
4. Slip Flat Beater on Beater Shaft and press upward as far as possible.
5. Turn beater to right, hooking beater over the pin on shaft.



To Remove Flat Beater, Wire Whip, or Dough Hook

1. Turn Speed Control Lever to "0" (OFF).
2. Unplug Stand Mixer or disconnect power.
3. Raise Guard.
4. Press beater upward as far as possible and turn left.
5. Pull beater from Beater Shaft.

Speed Control Lever



The Soft Start feature minimizes splash-out by starting the mixer slowly before increasing to the selected speed. To further reduce the potential for splash-out, always begin mixing using Speed 1, then gradually move to higher speeds as needed. See "Speed Control Guide".

Removable Pouring Chute

The Removable Pouring Chute is easily attached to the front of the Guard as shown in the illustration above. It provides a convenient way to add ingredients to the Stand Mixer bowl.

Auto-Reset Motor Protection

If the Stand Mixer stops due to overload, slide the Speed Control Lever to "0" (OFF) and unplug the Stand Mixer. After a few minutes, the Stand Mixer will automatically reset. Plug the Stand Mixer back in and slide the Speed Control Lever to the desired speed and continue mixing. If the Stand Mixer does not restart, unplug the Stand Mixer for a longer period of time to allow it to cool, then plug back in and restart the Stand Mixer. If the Stand Mixer does not restart, see "When You Need Service".

Stop Switch

If you need to stop the Stand Mixer immediately during use, press the Stop Switch. To resume operation, reset the Speed Control Lever to "0" (OFF), and pull out the Stop Switch. Then, your Stand Mixer is ready to be used normally again.

SETTING UP YOUR STAND MIXER

Adjusting Your Beater to Bowl Clearance

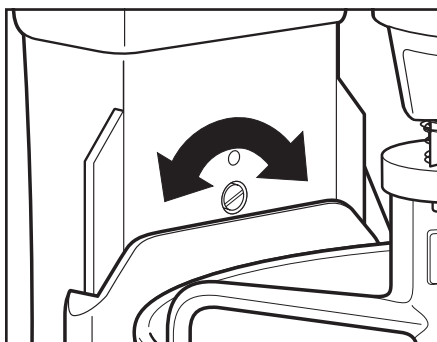
English

Your Stand Mixer is adjusted at the factory so the Flat Beater just clears the bottom of the bowl. If, for any reason, the Flat Beater hits the bottom of the bowl or is too far away from the bowl, you can correct the clearance easily.

1. Turn speed control to "0" (OFF).
2. Unplug Stand Mixer or disconnect power.
3. Raise Guard.
4. Lower the bowl to the down position.
5. Turn Beater Height Adjustment Screw slightly counter clockwise (left) to raise Flat Beater or clockwise (right) to lower Flat Beater.
6. Make adjustment with Flat Beater, so it just clears surface of the bowl. If you over adjust the screw, the Bowl Lift Lever may not lock into place.

NOTE: When properly adjusted, the Flat Beater will not strike the bottom or side of the bowl. If the Flat Beater or the Stainless Steel Whip is so close that it strikes the bottom of the bowl, coating may wear off the Flat Beater (for coated beaters) or wires on Stainless Steel Whip may wear.

Scraping sides of bowl may be necessary under certain conditions regardless of beater adjustment. The Stand Mixer must be stopped to scrape bowl or damage to mixer may occur.



USING YOUR STAND MIXER

Using Your KitchenAid Accessories

Flat Beater for normal to heavy mixtures

(Recommended operating time is 1-10 minutes, depending upon recipe):

cakes	biscuits
creamed frostings	quick breads
candies	meat loaf
cookies	mashed potatoes
pie pastry	

Wire Whip for mixtures that need air incorporated

(Recommended operating time is 1-30 minutes, depending upon recipe):

eggs	sponge cakes
egg whites	angel food cakes
heavy cream	mayonnaise
boiled frostings	some candies

Dough Hook for mixing and kneading yeast doughs

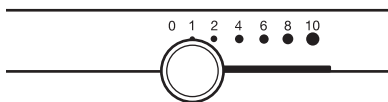
(Recommended operating time is 1-10 minutes, depending upon recipe):

breads	coffee cakes
rolls	buns









USING YOUR STAND MIXER

Speed Control Guide - 10 Speed Stand Mixers

All speeds have the Soft Start feature that automatically starts the Stand Mixer at a lower speed to help avoid ingredient splash-out and “flour puff” at start-up, then quickly increases to the selected speed for optimal performance.



English

Speed	Used for	Accessories	Description
1	Stirring		For slow stirring, combining, mashing, starting all mixing procedures. Use to add flour and dry ingredients to batter, and add liquids to dry ingredients. Do not use Speed 1 to mix or knead yeast doughs.
2	Slow Mixing, Kneading	 	For slow mixing, mashing, faster stirring. Use to mix and knead yeast doughs, heavy batters, and candies; start mashing potatoes or other vegetables; cut shortening into flour; mix thin or splashy batters.
4	Mixing, Beating	 	For mixing semi-heavy batters, such as cookies. Use to combine sugar and shortening and to add sugar to egg whites for meringues. Medium speed for cake mixes.
6	Beating, Creaming	 	For medium-fast beating (creaming) or whipping. Use to finish mixing cake, doughnut, and other batters. High speed for cake mixes.
8-10	Fast Beating, Whipping, Fast Whipping		For whipping cream, egg whites, and boiled frostings. For whipping small amounts of cream, egg whites or for final whipping of mashed potatoes.

NOTE: Use Speed 2 to mix or knead yeast doughs. Use of any other speed creates high potential for Stand Mixer failure. The PowerKnead Spiral Dough Hook efficiently kneads most yeast dough within 4 minutes.

Capacity Chart

	6.9 L Bowl
Flour	2 to 2.2 kg
Bread	8 breads of 450 g
Cookies / Biscuits	160 pieces
Mashed Potatoes	3.6 kg

CARE AND CLEANING

English

Stainless Steel Bowl, Flat Beater, Stainless Steel Whip, Spiral Dough Hook, and Pouring Chute may be washed in an automatic dishwasher. Do not use cleaners with a pH lower than 5. Or, clean them thoroughly in hot sudsy water and rinse completely before drying. Do not store beaters on shaft. The Stand Mixer is not to be cleaned with a water jet or spray hose.

WARNING

ELECTRICAL SHOCK HAZARD
ALWAYS BE SURE TO UNPLUG MIXER BEFORE CLEANING TO AVOID POSSIBLE ELECTRICAL SHOCK.

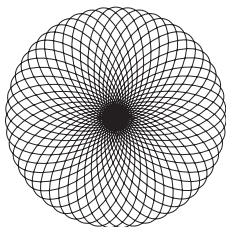
Wipe mixer with a damp cloth.
DO NOT IMMERSE IN WATER.
Wipe off beater shaft frequently, removing any residue that may accumulate.

TIPS FOR GREAT RESULTS

Planetary Mixing Action

During operation, the Flat Beater moves around the stationary bowl, at the same time turning in the opposite direction on its own axis.

The diagram shows the complete coverage of the bowl made by the path of the Beater.



The 5KSM7990 is rated 500 Watts and uses a Direct Current motor. It is a quiet and highly efficient motor, combined with a direct drive transmission system : this enables to drive 1.3 Horse Power at peak power (output motor power), enabling fast and outstanding mixing results even with heavy dough.

Mixing Time

Your KitchenAid Mixer will mix faster and more thoroughly than most other electric mixers. Therefore, the mixing time in most recipes must be adjusted to avoid overbeating.

To help determine the ideal mixing time, observe the batter or dough and mix only until it has the desired appearance described in your recipe, such as "smooth and creamy." To select the best mixing speeds, use the "Speed Control Guide" section.

Mixer Use

⚠ WARNING

PERSONAL INJURY HAZARD

To avoid personal injury and damage to the beater, do not attempt to scrape bowl while mixer is operating; turn mixer off. Should scraper or other object drop into bowl, turn motor OFF before removing.

English

The bowl and beater are designed to provide thorough mixing without frequent scraping. Scraping the bowl once or twice during mixing is usually sufficient.

The Stand Mixer may become warm during use. Under heavy loads with extended mixing time periods, you may not be able to comfortably touch the top of the Stand Mixer. This is normal.

Mixing Tips

Adding Ingredients

Always add ingredients as close to side of bowl as possible, not directly into moving beater. The Pouring Chute can be used to simplify adding ingredients. Use Speed 1 until ingredients have been blended. Then gradually increase to desired speed.

Adding Nuts, Raisins, or Candied Fruits

Follow individual recipes for guidelines on including these ingredients. In general, solid materials should be folded in the last few seconds of mixing on Speed 1. The batter should be thick enough to keep the fruit or nuts from sinking to the bottom of the pan during baking. Sticky fruits should be dusted with flour for better distribution in the batter.

Liquid Mixtures

Mixtures containing large amounts of liquid ingredients should be mixed at lower speeds to avoid splashing. Increase speed only after mixture has thickened.

NOTE: If ingredients in very bottom of bowl are not thoroughly mixed, then the beater is not far enough into the bowl. See the "Setting Up Your Stand Mixer" section.

SERVICE AND WARRANTY

When You Need Service

English

⚠ WARNING



Electrical Shock Hazard

Unplug before servicing.

Failure to do so can result in death or electrical shock.

Please read the following before calling your service center.

1. The Stand Mixer may warm up during use. Under heavy loads with extended mixing time periods, you may not be able to comfortably touch the top of the unit. This is normal.

2. The Stand Mixer may emit a pungent odor, especially when new. This is common with electric motors.
3. If the Flat Beater hits the Bowl, stop the Stand Mixer. See the “Setting Up Your Stand Mixer” section.

If your Stand Mixer should malfunction or fail to operate, please check the following:

- Is the Stand Mixer plugged in?
- Is the fuse in the circuit to the Stand Mixer in working order? If you have a circuit breaker box, be sure the circuit is closed.
- Is the Stop Switch pulled out?
- Turn off the Stand Mixer for 10-15 seconds, then turn it back on. If the mixer still does not start, allow it to cool for 30 minutes before turning it back on.
- If the problem is not due to one of the above items, see the “Service Centers” section.

KitchenAid Commercial Bowl-Lift Stand Mixer Warranty

Length of Warranty:	KitchenAid Will Pay For:	KitchenAid Will Not Pay For:
<p>Europe, Australia and New Zealand:</p> <p>For the Commercial Mixer 5KSM7990: One Year Full Warranty from date of purchase.</p>	<p>The replacement parts and repair labor costs to correct defects in materials or workmanship. Service must be provided by an Authorized KitchenAid Service Center.</p>	<p>Damage resulting from accident, alterations, misuse, abuse, or installation/operation not in accordance with local electrical codes.</p>

KITCHENAID DOES NOT ASSUME ANY RESPONSIBILITY FOR INDIRECT DAMAGES.

SERVICE AND WARRANTY

Service Centers

All service should be handled locally by an Authorized KitchenAid Service Center. Contact the dealer from whom the unit was purchased to obtain the name of the nearest Authorized KitchenAid Service Center.

In the U.K.:

Call: 0845 6011 287

In Ireland:

M.X. ELECTRIC
Service Department
25 Alymer Crescent
Kilcock, Co. KILDARE

Call: 87 2581574

Fax: 1 628 4368

In Australia:

Call: 1800 990 990

In New Zealand:

Call: 0800 881 200

Customer Service

In U.K. & Ireland:

Toll-free number 0800 988 1266
(Calls from mobile phones are charged standard network rate)

Address:

KitchenAid Europa, Inc.
PO BOX 19
B-2018 ANTWERP 11
BELGIUM

For Southern Ireland:

Toll-free number +44 (0) 20 8616 5148

www.KitchenAid.co.uk
www.KitchenAid.eu

English



Technology Center
303 Upton Drive, St. Joseph, MI 49085-1175

English

**EU – DECLARATION OF CONFORMITY
CE-DECLARATION DE CONFORMITE**

We: WHIRLPOOL CORPORATION, 303 UPTON DR., ST. JOSEPH, MI 49085, USA
Representing: WHIRLPOOL EUROPE S.r.l I-21025 COMERIO

Declare under sole responsibility that the product:

KitchenAid™ Stand Mixers: Model 5KSM79XX+

Where:

XX = up to 2 alphanumeric characters, which represents the features, distributor code and/or color

+ = May or may not be followed by five or more digit suffix codes to indicate change in aesthetics

to which this declaration relates, is in conformity with the following standard(s) or other normative document(s):

- IEC 60335-1: Ed.5: 2010**
- IEC 60335-2-64: Edition 3.1 2008-03**
- EN 55014-1:2006 + A1:2009**
- EN 55014-2:1997 + A1:2001 + A2:2008**
- EN 61000-3-2:2006 + A1:2009 + A2:2009**
- EN 61000-3-3:2008**
- EN 62233:2008**

The model listed conforms to the provisions of Directive (s):

- | | |
|---------------------|---|
| 2004/108/EC | ELECTROMAGNETIC COMPATABILITY DIRECTIVE |
| 2006/95/EC | LOW VOLTAGE DIRECTIVE |
| 2006/42/EC | MACHINERY DIRECTIVE |
| 10/2011/EU | PLASTIC MATERIALS INTENDED TO CONTACT FOOD |
| 1935/2004/EC | MATERIALS INTENDED TO CONTACT FOOD |

Place and Date:

Saint Joseph, MI, USA
30 January, 2012

Represented by:

Mark Dahmer
Engineering Director
KitchenAid Portable Appliances Division





FOR THE WAY IT'S MADE.

© 2012. All rights reserved.
Specifications subject to change without notice.

W10308298C

07/12

KitchenAid

6.9 L PROFESSIONAL BOWL-LIFT STAND MIXER

Original Instructions

**KÜCHENMASCHINE MIT SCHÜSSELHEBER UND 6,9 L SCHÜSSEL
FÜR DEN GEWERBLICHEN EINSATZ**

Originalanleitungen

ROBOT SUR SOCLE PROFESSIONNEL À BOL RELEVABLE DE 6,9 L

Instructions d'origine

ROBOT DA CUCINA PROFESSIONALE CON SOLLEVAMENTO CIOTOLA DA 6,9 L

Istruzioni originali

6,9 L PROFESSIONELE MIXER/KEUKENROBOT MET IN DE HOOGTE VERSTELBARE KOM

Originele instructies

BATIDORA PROFESIONAL DE PIE CON BOL ELEVABLE DE 6,9 L

Instrucciones originales

BATEDEIRA PROFISSIONAL COM SUPORTE PARA TAÇA DE 6,9 L

Intruções originais

ΕΠΑΓΓΕΛΜΑΤΙΚΟ ΜΙΞΕΡ ΜΕ ΒΑΣΗ ΚΑΙ ΥΠΕΡΥΨΩΜΕΝΟ ΜΠΟΛ 6,9 L

Αρχικές οδηγίες

6,9 L PROFESSIONELL KÖKSMASKIN MED SKÅL PÅ HÄVARM

Originalinstruktioner

6,9 L BOLLELØFTENDE KJØKKENMASKIN

Originale instruksjoner

6,9 L AMMATIKÄYTTÖÖN TARKOITETTU YLEISKONE

Alkuperäiset ohjeet

6,9 L PROFESSIONEL KØKKENMASKINE MED SKÅLLØFT

Originale Instruktioner

6,9 L BORDHRÆRIVÉL MED LYFTANLEGRI SKÁL FYRIR FAGFÓLK

Upphaflegar leiðbeiningar

ПРОФЕССИОНАЛЬНЫЙ МИКСЕР СО СЪЕМНОЙ ЧАШЕЙ 6,9 л

Оригинальные инструкции

PROFESJONALNY MIKSER STOJĄCY Z PODNOSZONĄ DZIEŻĄ 6,9 L

Originalna instrukcja

PROFESIONÁLNÍ KUCHYŇSKÝ ROBOT SE ZVEDACÍ MÍSOU O OBJEMU 6.9 L

Originální pokyny

PROFESIONÁLNY KUCHYŇSKÝ ROBOT SO ZDVÍHACOU MISOU O OBJEME 6,9 L

Originálne pokyny

MIXER PROFESIONAL CU SOCLU ŞI BOL DE 6,9 L

Instrucţiuni originale

ПРОФЕССИОНАЛЕН КУХНЕНСКИ РОБОТ С ПОВДИГАЩА СЕ КУПА С ВМЕСТИМОСТ 6,9 L

Оригинални инструкции

Model 5KSM7990*

Inhaltsverzeichnis

SICHERHEIT DER KÜCHENMASCHINE	
Wichtige Sicherheitshinweise.....	18
Elektrische Voraussetzungen.....	19
Entsorgung von Elektrogeräten	19
TEILE UND MERKMALE	20
AUFBAU IHRER KÜCHENMASCHINE	
Montieren Ihrer Küchenmaschine.....	21
Einstellen des Abstands zwischen Schüssel und Flachrührer	23
VERWENDUNG IHRER KÜCHENMASCHINE	
Verwendung des KitchenAid-Zubehörs	23
Leitfaden zur Geschwindigkeitssteuerung – 10 Geschwindigkeitsstufen.....	24
PFLEGE UND REINIGUNG	25
TIPPS FÜR TOLLE ERGEBNISSE	
Funktion des Planetenrührwerks	26
Rührzeit.....	26
Verwendung der Küchenmaschine.....	26
Hinweise zum Rühren.....	26
KUNDENDIENST UND GARANTIE	
Reparatur	27
Garantie für KitchenAid-Gewerbeküchenmaschinen mit Schüsselheber	27
Kundendienststellen	28
Kundendienst	28

Deutsch

SICHERHEIT DER KÜCHENMASCHINE

Deutsch

Ihre Sicherheit und die Sicherheit anderer sind von großer Wichtigkeit.

Im vorliegenden Handbuch und an Ihrem Gerät sind zahlreiche Sicherheitshinweise zu finden. Lesen und beachten Sie bitte immer alle diese Sicherheitshinweise.



Dies ist das Warnzeichen.

Dieses Zeichen weist Sie auf mögliche Gefahren hin, die zum Tode oder zu Verletzungen führen können.

Alle Sicherheitshinweise stehen nach diesem Zeichen oder dem Wort „GEFAHR“ oder „WARNUNG“. Diese Worte bedeuten:

! GEFAHR

Sie können schwer oder tödlich verletzt werden, wenn Sie diese Hinweise nicht unmittelbar beachten.

! WARNUNG

Sie können schwer oder tödlich verletzt werden, wenn Sie diese Hinweise nicht beachten.

Alle Sicherheitshinweise erklären Ihnen die Art der Gefahr und geben Hinweise, wie Sie die Verletzungsgefahr verringern können, aber sie informieren Sie auch über die Folgen, wenn Sie diese Hinweise nicht beachten.

Wichtige Sicherheitshinweise

Beim Gebrauch von Elektrogeräten müssen immer folgende grundlegende Sicherheitsmaßnahmen beachtet werden:

1. Lesen Sie sämtliche Anleitungen.
2. Die Küchenmaschine nicht in Wasser oder in andere Flüssigkeiten stellen, um die Gefahr eines elektrischen Schlags zu vermeiden.
3. Kinder sollten das Gerät nur unter Aufsicht verwenden, damit sie nicht damit spielen.
4. Den Stecker ziehen, wenn die Küchenmaschine nicht benötigt wird, bevor Teile an- oder abmontiert werden oder bevor die Küchenmaschine gereinigt wird.
5. Berühren Sie keine sich bewegenden Teile. Weder Hände, Haar, Kleidung sowie Spachtel oder andere Utensilien dürfen während des Einsatzes der Küchenmaschine Kontakt mit dem Rührer haben. Auf diese Weise können Verletzungen sowie eine Beschädigung der Küchenmaschine vermieden werden.
6. Die Küchenmaschine nicht betreiben, wenn das Netzkabel oder der Netzstecker beschädigt oder Fehlfunktionen aufgetreten sind, oder wenn die Küchenmaschine heruntergefallen ist oder beschädigt wurde.
7. Die Verwendung von Zubehörteilen, die nicht von KitchenAid empfohlen oder verkauft werden, können zu Bränden, elektrischen Schlägen oder Verletzungen führen.
8. Die Küchenmaschine nicht im Freien verwenden.
9. Das Netzkabel nicht über die Tischkante oder über die Kante der Arbeitsplatte hängen lassen.
10. Den Flachrührer, den Schneebesen und den Knethaken vor der Reinigung von der Küchenmaschine abnehmen.
11. Dieses Gerät ist nicht für den Gebrauch durch Kinder geeignet. Personen mit eingeschränkten körperlichen, sensorischen oder geistigen Fähigkeiten, aber auch unerfahrene und unwissende Personen, sollten das Gerät ausschließlich unter Aufsicht oder Anleitung einer anderen Person, die für die Sicherheit der erstgenannten Personen verantwortlich ist, bedienen.

**HEBEN SIE DIESE ANLEITUNG GUT AUF
DIESES PRODUKT IST FÜR DEN GEWERBLICHEN
EINSATZ GEDACHT**

SICHERHEIT DER KÜCHENMASCHINE

Elektrische Voraussetzungen

⚠️ WARNUNG



Stromschlaggefahr

Schukostecker benutzen.

Erdungskontakt nicht beseitigen.

Keinen Adapter benutzen.

Kein Verlängerungskabel benutzen.

Nichtbeachtung dieser Instruktionen kann zu Tod, Feuer oder Stromschlag führen.

Spannung: 220–240 V Wechselstrom
Hertz: 50/60 Hz
Leistung: 325 W, empfohlene
Betriebsdauer: 1–30 Minuten mit einem
Schaltzyklus von 10 Min. EIN/15 Min. AUS

HINWEIS: Die Leistungsaufnahme der
Küchenmaschine ist auf dem Typenschild
an der Unterseite des Geräts angegeben.

Kein Verlängerungskabel benutzen.
Falls das Netzkabel zu kurz ist, lassen
Sie von einem Fachmann eine zusätzliche
Steckdose in der Nähe des Aufstellortes
des Gerätes einbauen.

Diese Leistungsaufnahme gilt bei
Verwendung des Zubehörs, das die
meiste Energie benötigt. Es ist möglich,
dass andere Zubehörteile eine wesentlich
geringere Leistungsaufnahme erfordern.

Dieses Produkt ist mit einem Y-Netzkabel
ausgestattet. Falls das Kabel beschädigt
wird, muss es vom Hersteller oder einer
Service-Vertretung ausgewechselt werden,
um eine Gefahr zu vermeiden.

Deutsch

Der gemessene Schalldruckpegel gemäß dem prEN 454-Testcode unterschreitet 70 dBA.

A * in der Modellnummer steht für weitere Zeichen bezüglich der Maschinenfarbe oder der technischen Werte im aktuellen Modus (z. B. 5KSM7990*).

Entsorgung von Elektrogeräten

In Übereinstimmung mit den Anforderungen
der Europäischen Richtlinie 2002/96/EG
über Elektro- und Elektronik-Altgeräte
(WEEE) ist vorliegendes Gerät mit einer
Markierung versehen.

Bitte schützen Sie die Umwelt und die
Gesundheit anderer, indem Sie das Gerät
sachgerecht entsorgen.

Auf dem Produkt oder der beiliegenden
Produktdokumentation ist folgendes Symbol
einer durchgestrichenen Abfalltonne
abgebildet:

Es weist darauf hin, dass eine Entsorgung
im normalen Haushaltsabfall nicht
zulässig ist. Entsorgen Sie dieses

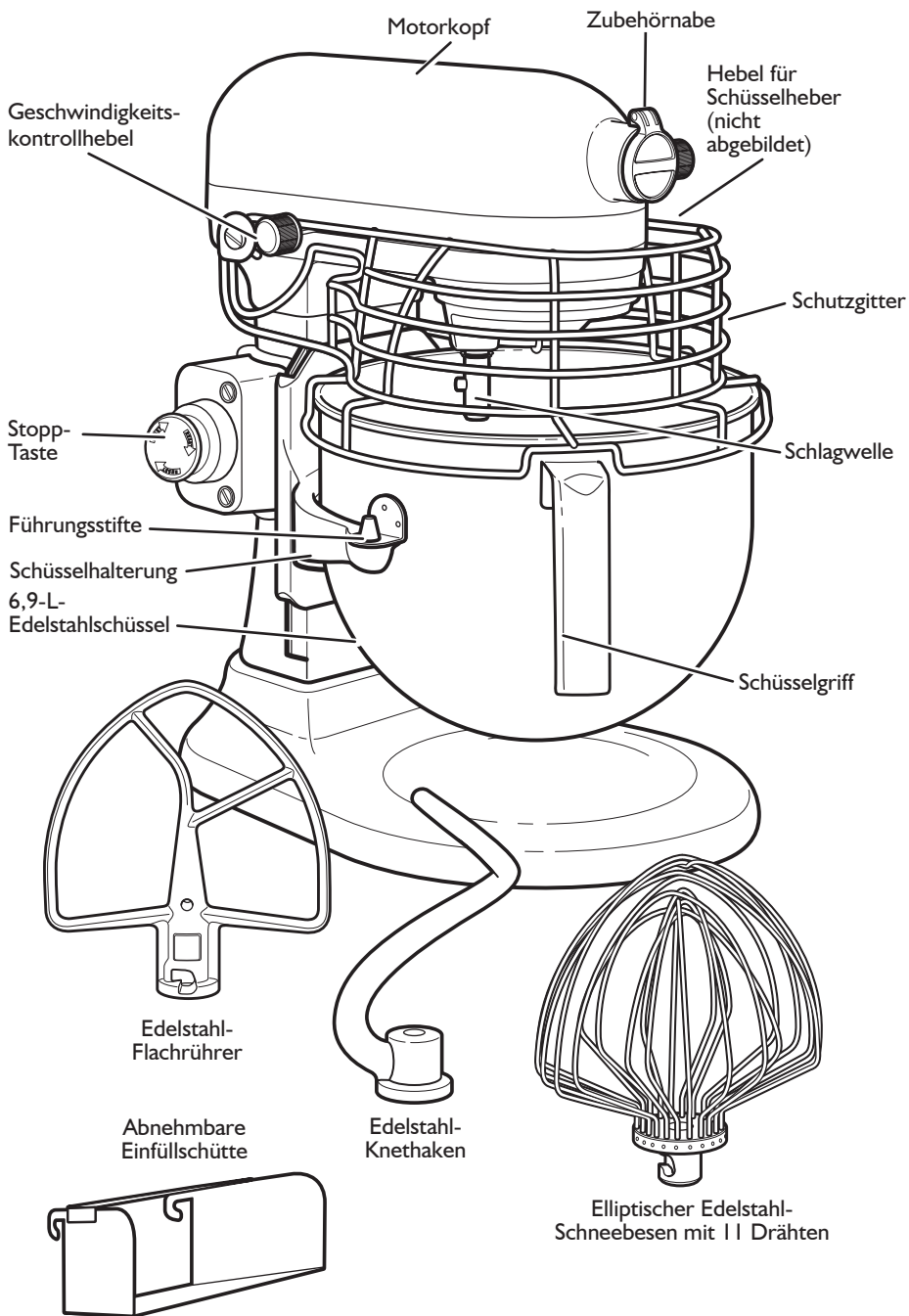
Produkt im Recyclinghof mit einer
getrennten Sammlung für Elektro- und
Elektronikgeräte.

Die Entsorgung muss gemäß den örtlichen
Bestimmungen zur Abfallbeseitigung
erfolgen.

Bitte wenden Sie sich an die zuständigen
Behörden Ihrer Gemeindeverwaltung, an
den lokalen Recyclinghof für Haushaltsmüll
oder an den Händler, bei dem Sie dieses
Gerät erworben haben, um weitere
Informationen über Behandlung,
Verwertung und Wiederverwendung
dieses Produkts zu erhalten.

TEILE UND MERKMALE

Deutsch



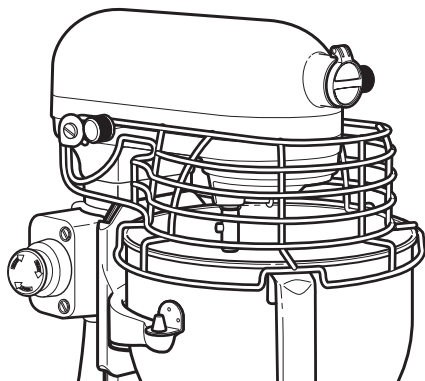
AUFBAU IHRER KÜCHENMASCHINE

Montieren Ihrer Küchenmaschine

Befestigen der Schüssel

1. Schalten Sie den Geschwindigkeitsregler aus (Stellung „0“).
2. Ziehen Sie den Netzstecker oder trennen Sie die Stromversorgung der Küchenmaschine.
3. Klappen Sie das Schutzgitter nach oben.
4. Bringen Sie den Hebel für den Schüsselheber in die untere Stellung.
5. Richten Sie die Schüsselhalterungen über den Führungsstiften aus.
6. Drücken Sie die hintere Kante der Schüssel nach unten, bis der Schüsselstift in den Federriegel einrastet.

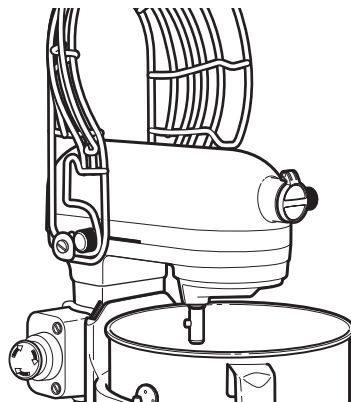
HINWEIS: Falls die Schüssel nicht fest eingerastet ist, kann sie während des Betriebs wackeln.



7. Klappen Sie das Schutzgitter nach unten.
8. Heben Sie die Schüssel an, bevor Sie die Zutaten vermengen.

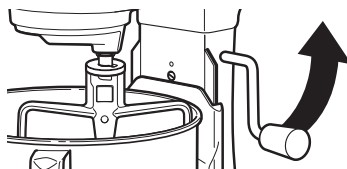
Abnehmen der Schüssel

1. Schalten Sie den Geschwindigkeitsregler aus (Stellung „0“).
2. Ziehen Sie den Netzstecker oder trennen Sie die Stromversorgung der Küchenmaschine.
3. Klappen Sie das Schutzgitter nach oben.



4. Bringen Sie den Hebel für den Schüsselheber in die untere Stellung.
5. Nehmen Sie Flachrührer, Schneebesen oder Knethaken ab.
6. Halten Sie die Schüssel am Griff und heben Sie sie gerade nach oben von den Führungsstiften.

Anheben der Schüssel



1. Drehen Sie den Hebel gegen den Uhrzeigersinn in die senkrecht nach oben zeigende Stellung.
2. Die Schüssel muss beim Rühren stets angehoben und in dieser Stellung verriegelt sein.

Absenken der Schüssel

1. Drehen Sie den Hebel nach hinten und unten.

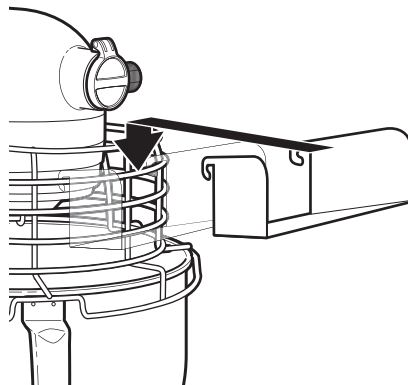
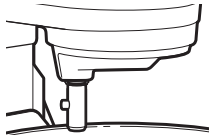
AUFBAU IHRER KÜCHENMASCHINE

AUFSTELLORT: Die Küchenmaschine muss auf einer ebenen und stabilen Oberfläche aufgestellt werden, beispielsweise einer Arbeitsplatte oder einem Arbeitstisch.

Deutsch

Befestigen des Flachrührers, Schneebesens oder Knethakens

1. Schalten Sie den Geschwindigkeitsregler aus (Stellung „0“).
2. Ziehen Sie den Netzstecker oder trennen Sie die Stromversorgung der Küchenmaschine.
3. Klappen Sie das Schutzgitter nach oben.
4. Schieben Sie das Zubehörteil auf die Schlagwelle und drücken Sie es so weit wie möglich nach oben.
5. Drehen Sie den Rührer nach rechts, wobei Sie den Flachrührer in den Stift an der Welle einhaken.



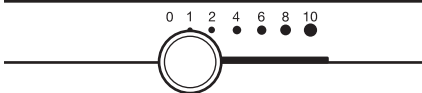
Abnehmbare Einfüllschütte

Die abnehmbare Einfüllschütte wird wie abgebildet vorn in das Schutzgitter eingehängt. Sie können darüber Zutaten in die Mengschüssel der Küchenmaschine geben.

Abnehmen des Flachrührers, Schneebesens oder Knethakens

1. Schalten Sie den Geschwindigkeitsregler aus (Stellung „0“).
2. Ziehen Sie den Netzstecker oder trennen Sie die Stromversorgung der Küchenmaschine.
3. Klappen Sie das Schutzgitter nach oben.
4. Drücken Sie das Zubehörteil so weit wie möglich nach oben und drehen Sie es nach links.
5. Ziehen Sie das Zubehörteil von der Schlagwelle.

Geschwindigkeitskontrollhebel



Die Soft-Start-Funktion sorgt für ein langsames Anlaufen der Küchenmaschine, damit keine Zutaten verspritzt werden. Danach wird auf die gewählte Geschwindigkeit erhöht. Sie können ein Verspritzen außerdem vermeiden, indem Sie stets auf Stufe 1 mit dem Vermengen beginnen, und dann nach Bedarf eine höhere Geschwindigkeitsstufe wählen. Beachten Sie dazu den „Leitfaden zur Geschwindigkeitssteuerung“.

Automatische Motorschutzabschaltung

Falls sich die Küchenmaschine aufgrund von Überlastung abschaltet, bringen Sie den Geschwindigkeitsregler in Stellung „0“ (AUS) und ziehen Sie das Netzkabel. Nach ein paar Minuten erfolgt die automatische Rückstellung der Küchenmaschine. Stecken Sie das Netzkabel der Küchenmaschine wieder in die Steckdose und stellen Sie die gewünschte Geschwindigkeit ein, um mit dem Vermengen fortzufahren. Falls die Küchenmaschine noch nicht neu startet, ziehen Sie den Netzstecker und lassen Sie die Maschine eine längere Zeit abkühlen. Stecken Sie das Netzkabel dann wieder ein und starten Sie die Küchenmaschine neu. Falls die Küchenmaschine nicht neu startet, lesen Sie bitte unter „Reparatur“ weiter.

Stopp-Taste

Drücken Sie die Stopp-Taste, um die Küchenmaschine während des Betriebs unverzüglich abzuschalten. Damit Sie die Maschine wieder verwenden können, müssen Sie den Geschwindigkeitsregler in die AUS-Stellung („0“) bringen und die Stopp-Taste herausziehen. Jetzt können Sie die Küchenmaschine wie gewohnt verwenden.

AUFBAU IHRER KÜCHENMASCHINE

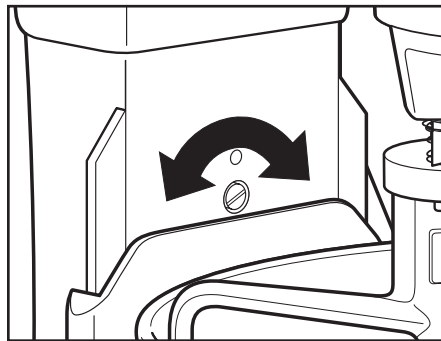
Einstellen des Abstands zwischen Schüssel und Flachrührer

Die Küchenmaschine ist ab Werk so eingestellt, dass der Flachrührer den Boden der Schüssel nicht ganz berührt. Falls aus irgendeinem Grund der Flachrührer den Boden der Schüssel berührt oder zu weit vom Boden entfernt ist, lässt sich der Abstand leicht korrigieren.

1. Schalten Sie den Geschwindigkeitsregler aus (Stellung „0“).
2. Ziehen Sie den Netzstecker oder trennen Sie die Stromversorgung der Küchenmaschine.
3. Klappen Sie das Schutzgitter nach oben.
4. Senken Sie die Schüssel ganz ab.
5. Drehen Sie die Einstellschraube für den Rührer LEICHT entgegen dem Uhrzeigersinn (nach links), um den Flachrührer anzuheben, bzw. im Uhrzeigersinn (nach rechts), um den Flachrührer abzusenken.
6. Stellen Sie den Flachrührer so ein, dass er sich gerade noch über der Schüsseloberfläche befindet. Wird die Schraube zu weit gedreht, rastet der Hebel für den Schüsselheber möglicherweise nicht ein.

HINWEIS: Bei richtiger Einstellung berührt der Flachrührer weder den Boden noch die Seite der Schüssel. Befinden sich Flachrührer oder Edelstahl-Schneebeesen so dicht am Boden der Schüssel, dass sie anstoßen, können sich die Drähte des Schneebeesens oder die eventuell vorhandene Beschichtung des Flachrührers abnutzen.

Falls ein Ausschaben der Schüsselwand erforderlich ist (unabhängig von der Einstellung des Rührers), müssen Sie die Küchenmaschine vor dem Ausschaben anhalten. Ansonsten könnte die Maschine beschädigt werden.



Deutsch

VERWENDUNG IHRER KÜCHENMASCHINE

Verwendung des KitchenAid-Zubehörs

Flachrührer für normale bis schwere Mischungen (Wir empfehlen rezeptabhängig eine Verarbeitungsdauer zwischen 1 und 10 Minuten.):

Kuchen	Plätzchen
geschäumte Zuckergüsse	süße Brote
Süßwaren	Hackbraten
Kekse	Kartoffelbrei
Pasteteigeig	

Schneebeesen zum Schlagen von Mischungen, die Luft enthalten müssen (Wir empfehlen rezeptabhängig eine Verarbeitungsdauer zwischen 1 und 30 Minuten.):

Eier	aufgekochte Zuckergüsse
Eiweiß	Rührkuchen
Schlagsahne	Mayonnaise

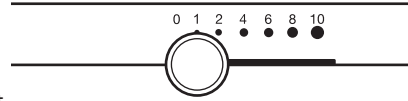
Knethaken zum Mischen und Kneten von Hefeteigen für (Wir empfehlen rezeptabhängig eine Verarbeitungsdauer zwischen 1 und 10 Minuten.):

Brote	Hefekuchen
süße und herzhaft Brötchen	Hörnchen und Brötchen

VERWENDEN IHRER KÜCHENMASCHINE

Leitfaden zur Geschwindigkeitssteuerung – 10 Geschwindigkeitsstufen

Für alle Geschwindigkeiten wird die Funktion Soft Start angeboten, bei der die Küchenmaschine automatisch mit einer niedrigeren Geschwindigkeit anläuft, damit keine Zutaten verspritzt werden oder Mehl heraus stiebt. Danach wird die Geschwindigkeit schnell bis zur für optimale Leistung erforderlichen Sollgeschwindigkeit erhöht.



Deutsch

Geschwindigkeit

	Einsatzzweck	Zubehör	Beschreibung
1	Rühren		Zum Umrühren und Vermengen sowie zu Beginn aller Rührvorgänge. Zum Hinzufügen von Mehl und trockenen Zutaten zum Teig sowie für die Zugabe von Flüssigkeiten zu trockenen Zutaten. Die Geschwindigkeit 1 nicht zum Mischen oder Kneten von Hefeteig verwenden.
2	Langsames Mischen, Kneten		Zum langsamen Mischen, Vermengen und zum schnelleren Umrühren. Zum Mischen und Kneten von Hefeteig, schweren Teigen und Massen für Süßwaren, zur Herstellung von Kartoffelbrei oder anderen Gemüsebreien, für die Zugabe von Backfett zu Mehl, zum Mischen von dünnen oder flüssigen Teigen.
4	Mischen, Schlagen		Zum Mischen von mittelschweren Teigen, beispielsweise für Kekse. Zum Vermischen von Zucker und Backfett sowie für die Zugabe von Zucker zu Eiweiß für die Herstellung von Baisers. Mittlere Geschwindigkeit für Kuchenfertigmischungen.
6	Schlagen, Verrühren		Zum mittelschnellen Rühren (Aufschäumen) oder Schlagen. Zum abschließenden Rühren von Kuchenteig, Doughnut-Teig und anderen Teigen. Hohe Geschwindigkeit für Kuchenfertigmischungen.
8-10	Schnelles Verrühren, Schlagen		Zum Schlagen von Schlagsahne, Eiweiß und aufgekochten Zuckergüssen. Zum Schlagen kleiner Mengen Schlagsahne, Eiweiß oder zum abschließenden Rühren von Kartoffelbrei.

HINWEIS: Zum Kneten und Rühren von Hefeteigen Geschwindigkeit 2 verwenden. Bei anderen Geschwindigkeitsstufen besteht die Gefahr, dass die Küchenmaschine ausfällt. Der leistungsstarke Knethaken knetet die meisten Hefeteige binnen 4 Minuten gut durch.

Kapazitätstabelle

	6,9-L-Schüssel
Mehl	2 bis 2,2 kg
Brot	8 Brote á 450 g
Kekse, Plätzchen	160 Stück
Kartoffelpüree	3,6 kg

PFLEGE UND REINIGUNG

Die Edelstahlschüssel, der Flachrührer, der Edelstahl-Schneebesen, der spiralförmige Kneithaken und die abnehmbare Einfüllschütte sind spülmaschinenfest. Benutzen Sie keine Reinigungsmittel mit einem pH-Wert niedriger als 5. Sie können auch in heißem Wasser mit Zusatz von Spülmittel gereinigt werden. Die Flachrührer bei Nichtbenutzung nicht auf der Welle lassen. Die Küchenmaschine darf nicht mit einem Wasserstrahl oder einer Schlauchbrause gereinigt werden.

WARNUNG

STROMSCHLAGGEFAHR

ZUR VERMEIDUNG EINES STROMSCHLAGS VOR DEM REINIGEN IMMER DEN NETZSTECKER ZIEHEN.

Das Gerät mit einem feuchten Tuch abwischen. **NICHT IN WASSER TAUCHEN.** Die Rührerwelle regelmäßig abwischen und dort angesammelte Nahrungsmittelreste beseitigen.

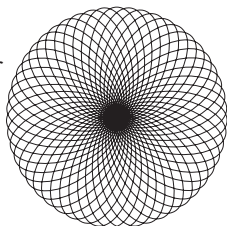
Deutsch

TIPPS FÜR TOLLE ERGEBNISSE

Deutsch

Funktion des Planetenrührwerks

Während des Betriebs bewegt sich der Flachrührer in der fest stehenden Schüssel und dreht sich zugleich in die Gegenrichtung um seine eigene Achse. Die Abbildung zeigt, welchen Weg der Flachrührer in der Schüssel insgesamt zurücklegt.



Das Modell 5KSM7990 hat eine Nennleistung von 500 Watt. In ihm kommt ein Gleichstrommotor zum Einsatz. Dieser Motor ist besonders leise und effizient. In der Kombination mit einer Direktantriebsübertragung ergeben sich bis zu 1,3 PS Spitzenleistung (am Motor) für schnelle und hervorragende Mischergebnisse selbst bei schwerem Teig.

Rührzeit

Ihre KitchenAid-Küchenmaschine rührt schneller und gründlicher als die meisten anderen elektrischen Küchengeräte. Daher muss die Rührzeit bei den meisten Rezepten angepasst werden, um z. B. ein Ausflocken zu vermeiden.

Bestimmen Sie die ideale Rührzeit, indem Sie den Rühr- oder Hefeteig beobachten und nur so lange rühren, bis die im Rezept beschriebene Konsistenz, beispielsweise „glatt und cremig“, erreicht ist. Beachten Sie den „Leitfaden zur Geschwindigkeitssteuerung“ zur Wahl der optimalen Geschwindigkeitsstufe.

Verwendung der Küchenmaschine

! WARNUNG

VERLETZUNGSGEFAHR

Vermeiden Sie Verletzungen und Schäden am Rührer: Keinesfalls versuchen, die Schüssel auszuschaben, während das Gerät läuft. Die Küchenmaschine dazu stets ausschalten. Falls der Schaber oder ein anderes Objekt in die Schüssel fällt, den Motor **AUSSCHALTEN**, bevor Sie den Schaber oder das Objekt herausholen.

Schüssel und Flachrührer sind so konstruiert, dass sie ohne allzu häufiges Abkratzen ein gründliches Rühren gewährleisten. Während des Rührvorgangs ist es in der Regel ausreichend, die Schüssel ein- oder zweimal auszukratzen.

Die Küchenmaschine erwärmt sich während des Betriebs. Bei starker Belastung und längerer Rührzeit kann die Oberseite der Küchenmaschine so heiß sein, dass sie nicht mehr berührt werden kann. Dies ist normal.

Hinweise zum Rühren

Zugabe von Zutaten

Die Zutaten immer so dicht wie möglich am Schüsselrand zugeben, nicht direkt auf den rotierenden Rührer. Die abnehmbare Einfüllschütte erleichtert die Zugabe der Zutaten. Mit Geschwindigkeitsstufe 1 arbeiten, bis die Zutaten gemischt sind. Dann allmählich auf die Sollgeschwindigkeit erhöhen.

Zugabe von Nüssen, Rosinen oder kandierten Früchten

Beachten Sie die Rezepthinweise beim Zugeben dieser Zutaten. Feste Zutaten sollten erst in den letzten Sekunden des Rührvorgangs bei Geschwindigkeitsstufe 1 zugesetzt werden. Der Teig muss so dick sein, dass die Nüsse oder Früchte beim Backen nicht auf den Boden der Form absinken. Klebrige Früchte mit Mehl bestäuben, um eine bessere Verteilung im Teig zu erreichen.

Mischen von Flüssigkeiten

Das Umrühren großer Mengen flüssiger Zutaten sollte bei niedrigen Geschwindigkeiten erfolgen, um ein Verspritzen zu vermeiden. Die Geschwindigkeit erst erhöhen, wenn die Mischung eingedickt ist.

HINWEIS: Wenn die Zutaten am Boden der Schüssel nicht gründlich gemischt werden, befindet sich der Rührer nicht tief genug in der Schüssel. Siehe Abschnitt „Aufbauen Ihrer Küchenmaschine“.

Reparatur

⚠️ WARNUNG



Stromschlaggefahr

Vor Wartungsarbeiten Netzstecker ziehen.

Nichtbeachtung kann zum Stromschlag oder Tod führen.

Bitte lesen Sie folgende Hinweise, ehe Sie den Kundendienst verständigen.

1. Die Küchenmaschine erwärmt sich während des Betriebs. Bei starker Belastung und längerer Rührzeit kann die Oberseite der Küchenmaschine so heiß sein, dass sie nicht mehr berührt werden kann. Dies ist normal.
2. Die Küchenmaschine kann einen unangenehmen Geruch entwickeln, insbesondere, wenn sie noch neu ist. Dies ist bei Elektromotoren normal.

3. Wenn der Flachrührer die Schüssel berührt, schalten Sie die Küchenmaschine ab. Siehe Abschnitt „Aufbauen Ihrer Küchenmaschine“.

Wenn die Küchenmaschine nicht mehr funktioniert oder Fehlfunktionen aufweist, prüfen Sie zuerst folgende Fehlerquellen:

- Ist die Küchenmaschine mit dem Netz verbunden?
- Ist die Sicherung im Stromkreis für die Küchenmaschine in Ordnung? Wenn Sie einen Stromunterbrechungsschalter haben, überzeugen Sie sich davon, dass der Stromkreis geschlossen ist.
- Ist die Stopp-Taste herausgezogen?
- Schalten Sie die Küchenmaschine aus und nach etwa 10 bis 15 Sekunden wieder ein. Hilft dies nicht, lassen Sie das Gerät 30 Minuten abkühlen, ehe Sie einen erneuten Einschaltversuch unternehmen.
- Lässt sich das Problem auf diese Weise nicht beheben, wenden Sie sich an eine der im Abschnitt „Kundendienststellen“ genannten Stellen.

Deutsch

Garantie für KitchenAid-Gewerbeküchenmaschinen mit Schüsselheber

Garantiedauer:	KitchenAid erstattet die Kosten für:	KitchenAid übernimmt keine Kosten für:
Europa, Australien und Neuseeland: Für die Gewerbeküchenmaschine 5KSM7990: Ein Jahr Komplettgarantie ab dem Kaufdatum	Ersatzteile und Arbeitskosten, um Materialschäden und Fertigungsfehler zu beheben. Die Reparatur muss von einem anerkannten KitchenAid-Kundendienstzentrum vorgenommen werden.	Reparaturen von Schäden, die durch Unfälle, Abänderungen, falsche bzw. missbräuchliche Verwendung und Installation und Betrieb unter Verletzung der geltenden elektrischen Vorschriften verursacht wurden.

KITCHENAID ÜBERNIMMT KEINERLEI GARANTIE FÜR NEBEN- UND FOLGEKOSTEN.

KUNDENDIENST UND GARANTIE

Deutsch

Kundendienststellen

Alle Reparatur- und Wartungsarbeiten sollten lokal von einem anerkannten KitchenAid-Kundendienstzentrum ausgeführt werden. Nehmen Sie mit dem Händler Kontakt auf, bei dem Sie das Gerät gekauft haben, um den Namen des nächsten anerkannten KitchenAid-Kundendienstzentrums zu erhalten.

In Deutschland:

KitchenAid Service & Support, Großhandel
Inh. Franz - Josef Lücke
Lüternweg 142
D-33378 RHEDA-WIEDENBRÜCK

Tel: 05242-966999

Fax: 05242-966998

Mail:

klaukeservice@t-online.de

Kundendienst

Für Deutschland:

Hotline: Gebührenfreie Telefonberatung unter:
0800 5035005

Adresse:

KitchenAid Europa, Inc.
Postfach 19
B-2018 ANTWERPEN 11
BELGIEN

Für die Schweiz:

Novissa Haushaltgeräte AG
Bernstrasse 18
CH-2555 BRÜGG

Tel: 032 475 10 10

Fax: 032 475 10 19

www.KitchenAid.de

www.KitchenAid.eu



Technology Center
303 Upton Drive, St. Joseph, MI 49085-1175

Deutsch

EU – DECLARATION OF CONFORMITY CE-DECLARATION DE CONFORMITE

We: WHIRLPOOL CORPORATION, 303 UPTON DR., ST. JOSEPH, MI 49085, USA
Representing: WHIRLPOOL EUROPE S.r.l I-21025 COMERIO

Declare under sole responsibility that the product:

KitchenAid™ Stand Mixers: Model 5KSM79XX+

Where:

XX = up to 2 alphanumeric characters, which represents the features, distributor code and/or color

+ = May or may not be followed by five or more digit suffix codes to indicate change in aesthetics

to which this declaration relates, is in conformity with the following standard(s) or other normative document(s):

IEC 60335-1: Ed.5: 2010
IEC 60335-2-64: Edition 3.1 2008-03
EN 55014-1:2006 + A1:2009
EN 55014-2:1997 + A1:2001 + A2:2008
EN 61000-3-2:2006 + A1:2009 + A2:2009
EN 61000-3-3:2008
EN 62233:2008

The model listed conforms to the provisions of Directive (s):

2004/108/EC	ELECTROMAGNETIC COMPATABILITY DIRECTIVE
2006/95/EC	LOW VOLTAGE DIRECTIVE
2006/42/EC	MACHINERY DIRECTIVE
10/2011/EU	PLASTIC MATERIALS INTENDED TO CONTACT FOOD
1935/2004/EC	MATERIALS INTENDED TO CONTACT FOOD

Place and Date:

Saint Joseph, MI, USA
30 January, 2012

Represented by:

Mark Dahmer
Engineering Director
KitchenAid Portable Appliances Division



FOR THE WAY IT'S MADE.

© 2012. Alle Rechte vorbehalten.
Spezifikationen können ohne vorherige Ankündigung geändert werden.

W10308298C

07/12

KitchenAid

6.9 L PROFESSIONAL BOWL-LIFT STAND MIXER

Original Instructions

KÜCHENMASCHINE MIT SCHÜSSELHEBER UND 6,9 L SCHÜSSEL FÜR DEN GEWERBLICHEN EINSATZ

Originalanleitungen

ROBOT SUR SOCLE PROFESSIONNEL À BOL RELEVABLE DE 6,9 L

Instructions d'origine

ROBOT DA CUCINA PROFESSIONALE CON SOLLEVAMENTO CIOTOLA DA 6,9 L

Istruzioni originali

6,9 L PROFESSIONELE MIXER/KEUKENROBOT MET IN DE HOOGTE VERSTELBARE KOM

Originele instructies

BATIDORA PROFESIONAL DE PIE CON BOL ELEVABLE DE 6,9 L

Instrucciones originales

BATEDEIRA PROFISSIONAL COM SUPORTE PARA TAÇA DE 6,9 L

Intruções originais

ΕΠΑΓΓΕΛΜΑΤΙΚΟ ΜΙΞΕΡ ΜΕ ΒΑΣΗ ΚΑΙ ΥΠΕΡΥΨΩΜΕΝΟ ΜΠΟΛ 6,9 L

Αρχικές οδηγίες

6,9 L PROFESSIONELL KÖKSMASKIN MED SKÅL PÅ HÄVARM

Originalinstruktioner

6,9 L BOLLELØFTENDE KJØKKENMASKIN

Originale instruksjoner

6,9 L AMMATIKÄYTTÖÖN TARKOITETTU YLEISKONE

Alkuperäiset ohjeet

6,9 L PROFESSIONEL KØKKENMASKINE MED SKÅLLØFT

Originale Instruktioner

6,9 L BORDHRÆRIVÉL MED LYFTANLEGRI SKÁL FYRIR FAGFÓLK

Upphaflegar leiðbeiningar

ПРОФЕССИОНАЛЬНЫЙ МИКСЕР СО СЪЕМНОЙ ЧАШЕЙ 6,9 Л

Оригинальные инструкции

PROFESJONALNY MIKSER STOJĄCY Z PODNOSZONĄ DZIEŻĄ 6,9 L

Originalna instrukcja

PROFESIONÁLNÍ KUCHYŇSKÝ ROBOT SE ZVEDACÍ MÍSOU O OBJEMU 6.9 L

Originální pokyny

PROFESIONÁLNY KUCHYŇSKÝ ROBOT SO ZDVÍHACOU MISOU O OBJEME 6,9 L

Originálne pokyny

MIXER PROFESIONAL CU SOCLU ŞI BOL DE 6,9 L

Instrucţiuni originale

ПРОФЕССИОНАЛЕН КУХНЕНСКИ РОБОТ С ПОВДИГАЩА СЕ КУПА С ВМЕСТИМОСТ 6,9 L

Оригинални инструкции

Model 5KSM7990*

Table des matières

SÉCURITÉ DU ROBOT SUR SOCLE	
Consignes de sécurité importantes.....	33
Alimentation.....	34
Mise au rebut des déchets d'équipements électriques.....	34
PIÈCES ET FONCTIONS.....	35
MISE EN SERVICE DE VOTRE ROBOT SUR SOCLE	
Assemblage de votre robot sur socle.....	36
Réglage du jeu entre le batteur plat et le bol.....	38
UTILISATION DE VOTRE ROBOT SUR SOCLE	
Utilisation des accessoires KitchenAid.....	38
Guide de réglage de la vitesse - Robots sur socle à 10 vitesses.....	39
ENTRETIEN ET NETTOYAGE.....	40
CONSEILS POUR OBTENIR DES RÉSULTATS OPTIMAUX	
Action de mélange à mouvement planétaire.....	41
Temps de mélange.....	41
Utilisation du robot sur socle.....	41
Conseils de mélange.....	41
ENTRETIEN ET GARANTIE	
Dispositions à prendre pour un entretien et une réparation.....	42
Garantie du robot sur socle à bol relevable professionnel KitchenAid.....	42
Centres de service après-vente.....	43
Service à la clientèle.....	43

SÉCURITÉ DU ROBOT SUR SOCLE

Votre sécurité et celle des autres est très importante.

Nous donnons de nombreux messages de sécurité importants dans ce manuel et sur votre appareil ménager. Assurez-vous de toujours lire tous les messages de sécurité et de vous y conformer.



Voici le symbole d'alerte de sécurité.

Ce symbole d'alerte de sécurité vous signale les dangers potentiels de décès et de blessures graves à vous et à d'autres.

Tous les messages de sécurité suivront le symbole d'alerte de sécurité et le mot "DANGER" ou "AVERTISSEMENT".

Ces mots signifient :

⚠ DANGER

Risque possible de décès ou de blessure grave si vous ne suivez pas immédiatement les instructions.

⚠ AVERTISSEMENT

Risque possible de décès ou de blessure grave si vous ne suivez pas les instructions.

Tous les messages de sécurité vous diront quel est le danger potentiel et vous disent comment réduire le risque de blessure et ce qui peut se produire en cas de non-respect des instructions.

Français

Consignes de sécurité importantes

Lorsque vous utilisez des appareils électriques, les consignes de sécurité élémentaires doivent être respectées, et notamment les suivantes :

1. Lisez toutes les instructions.
2. Pour éviter les risques d'électrocution, n'immergez jamais le robot sur socle dans l'eau ou dans tout autre liquide.
3. Les jeunes enfants ne doivent pas utiliser cet appareil sans une surveillance étroite.
4. Débranchez le robot sur socle lorsque vous ne l'utilisez pas, avant d'y ajouter ou d'en retirer des pièces et avant de le nettoyer.
5. Évitez tout contact avec les pièces mobiles. Tenez les mains, cheveux, vêtements ainsi que les spatules et autres ustensiles à l'écart du robot sur socle lorsqu'il fonctionne afin de réduire le risque de blessures et/ou de détériorations de l'appareil.
6. N'utilisez pas le robot sur socle si le cordon d'alimentation ou la fiche sont endommagés, si l'appareil a présenté un défaut de fonctionnement ou qu'il est tombé ou a été endommagé de quelque façon que ce soit.
7. L'utilisation d'accessoires non recommandés ou non vendus par KitchenAid peut causer un incendie, une électrocution ou des blessures.
8. N'utilisez pas le robot sur socle à l'extérieur.
9. Ne laissez pas le cordon pendre du bord de la table ou du comptoir.
10. Enlevez le batteur plat, le fouet à fils ou le crochet pétrisseur avant de nettoyer le robot sur socle.
11. Cet appareil ne convient pas à une utilisation par des personnes (y compris des enfants) à capacités physiques, sensorielles ou mentales réduites, ou manquant d'expérience et de connaissances, à moins qu'elles ne soient placées sous supervision ou qu'elles n'aient reçu des instructions concernant l'utilisation de l'appareil par une personne responsable de leur sécurité.

CONSERVEZ CES INSTRUCTIONS
CE PRODUIT EST DESTINÉ À UN USAGE PROFESSIONNEL

SÉCURITÉ DU ROBOT SUR SOCLE

Alimentation

Français

AVERTISSEMENT



Risque d'électrocution

Branchez l'appareil à une prise reliée à la terre.

Ne démontez pas la prise de terre.

N'utilisez pas d'adaptateur.

N'utilisez pas de rallonge électrique.

Le non-respect de ces instructions peut entraîner des blessures mortelles, un incendie ou une électrocution.

Tension : 220-240 Volts c.a.
Fréquence : 50/60 Hz
Puissance : 325 W Temps de fonctionnement recommandé : 1-30 minutes (cycle de service : 10 minutes de fonctionnement / 15 minutes d'arrêt)

REMARQUE : la puissance nominale de votre robot sur socle est indiquée sur la plaque du numéro de série, située sous l'appareil.

N'utilisez pas de rallonge électrique. Si le cordon d'alimentation est trop court, faites installer une prise de courant près de l'appareil par un électricien ou un technicien qualifié.

Cette puissance est déterminée en fonction de l'accessoire consommant le plus d'énergie. D'autres accessoires recommandés peuvent consommer beaucoup moins d'énergie.

Cet appareil est vendu avec un fil électrique de type Y. Si le fil électrique est endommagé, il doit être remplacé par le fabricant ou par son représentant du service après-vente pour éviter tout danger.


Le niveau de pression acoustique mesuré conformément aux prescriptions du code de test prEN 454 est inférieur à 70 dBA.

Un * dans le numéro de modèle représente des caractères additionnels qui identifient la couleur de la machine et des paramètres d'ingénierie pour le modèle réel (ex. 5KSM7990*).

Mise au rebut des déchets d'équipements électriques

Cet appareil porte le symbole de recyclage conformément à la Directive Européenne 2002/96/CE concernant les Déchets d'Équipements Électriques et Électroniques (DEEE, ou WEEE en anglais).

Par une mise au rebut correcte de l'appareil, vous contribuerez à éviter tout préjudice à l'environnement et à la santé humaine.

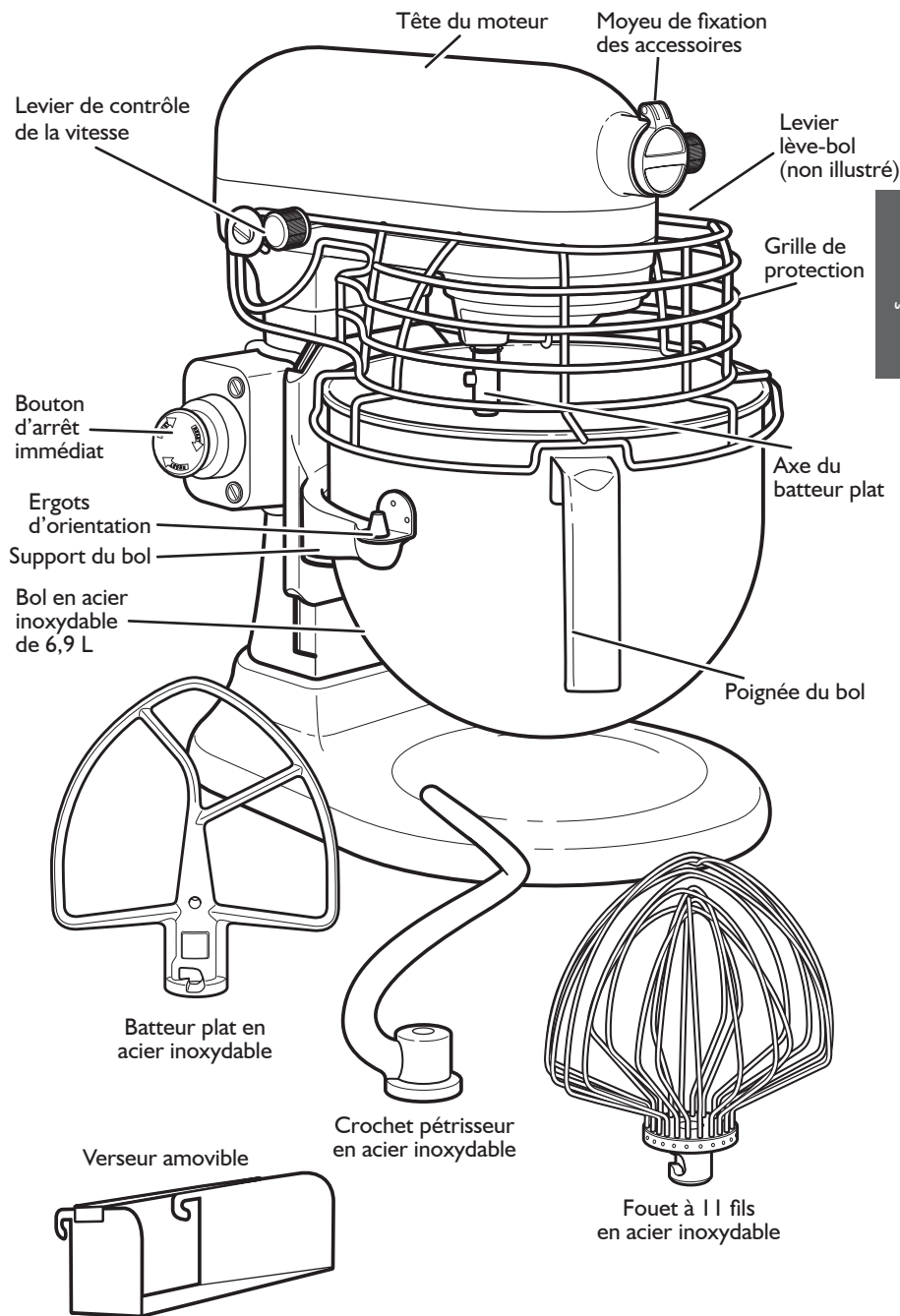
Le symbole  présent sur l'appareil ou dans la documentation qui l'accompagne indique que ce produit ne peut en aucun cas être traité comme déchet ménager. Il doit par conséquent être remis à un

centre de collecte des déchets chargé du recyclage des équipements électriques et électroniques.

Pour la mise au rebut, respectez les normes relatives à l'élimination des déchets en vigueur dans le pays d'installation.

Pour obtenir de plus amples détails au sujet du traitement, de la récupération et du recyclage de cet appareil, veuillez vous adresser au bureau compétent de votre commune, à la société de collecte des déchets ou directement à votre revendeur.

PIÈCES ET FONCTIONS



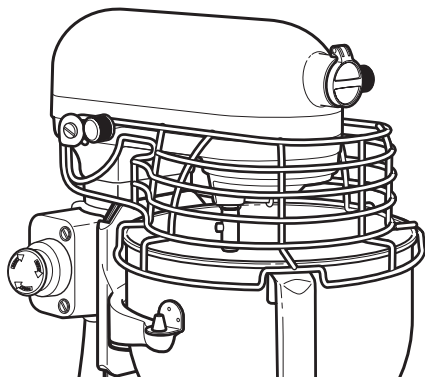
MISE EN SERVICE DE VOTRE ROBOT SUR SOCLE

Assemblage de votre robot sur socle

Pour fixer le bol

1. Mettez le levier de contrôle de la vitesse en position "0" (ARRÊT).
2. Débranchez le robot sur socle ou coupez l'alimentation.
3. Soulevez la grille de protection.
4. Abaissez complètement le levier lève-bol.
5. Placez les supports du bol sur les ergots d'orientation.
6. Appuyez vers le bas sur l'arrière du bol jusqu'à ce que son ergot s'enclenche dans le loquet à ressort.

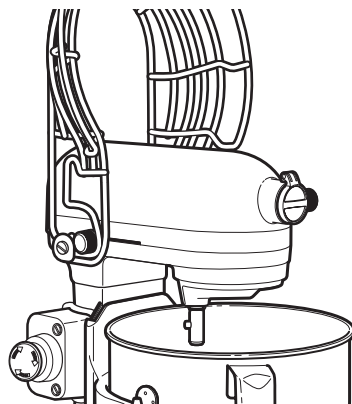
REMARQUE : si le bol n'est pas fermement inséré, il sera instable et tremblera pendant l'utilisation du robot.



7. Abaissez la grille de protection.
8. Relevez le bol avant de commencer à mélanger.

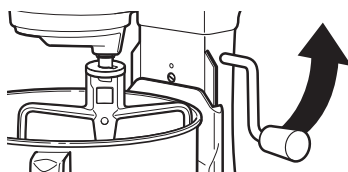
Pour détacher le bol

1. Mettez le levier de contrôle de la vitesse en position "0" (ARRÊT).
2. Débranchez le robot sur socle ou coupez l'alimentation.
3. Soulevez la grille de protection.



4. Abaissez complètement le levier lève-bol.
5. Enlever le batteur plat, le fouet à fils ou le crochet pétrisseur.
6. Tirez la poignée du bol bien droit vers le haut pour dégager celui-ci des ergots d'orientation.

Pour relever le bol



1. Remontez le levier lève-bol en le tournant dans le sens contraire des aiguilles d'une montre.
2. Le bol doit toujours être relevé lorsque vous utilisez la fonction de mélange.

Pour abaisser le bol

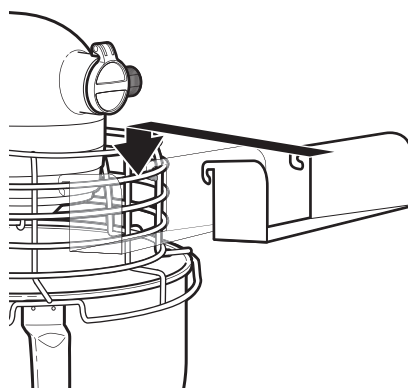
1. Abaissez le levier lève-bol en le ramenant vers l'arrière.

MISE EN SERVICE DE VOTRE ROBOT SUR SOCLE

INSTALLATION: Le robot sur socle doit être installé sur une surface plane et stable, telle qu'un plan de travail ou une table de préparation.

Pour fixer le batteur plat, le fouet à fils ou le crochet pétrisseur

1. Mettez le levier de contrôle de la vitesse en position "0" (ARRÊT).
2. Débranchez le robot sur socle ou coupez l'alimentation.
3. Soulevez la grille de protection.
4. Placez le batteur plat sur son axe d'entraînement et poussez-le vers le haut autant que possible.
5. Tournez le batteur plat vers la droite pour le verrouiller sur la goupille de son axe.



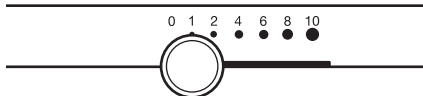
Verseur amovible

Le verseur amovible se fixe facilement à l'avant de la grille de protection, comme illustré ci-dessus. Il facilite l'ajout d'ingrédients dans le bol du robot sur socle.

Pour enlever le batteur plat, le fouet à fils ou le crochet pétrisseur

1. Mettez le levier de contrôle de la vitesse en position "0" (ARRÊT).
2. Débranchez le robot sur socle ou coupez l'alimentation.
3. Soulevez la grille de protection.
4. Poussez le batteur plat vers le haut et tournez-le vers la gauche.
5. Retirez-le de son axe.

Levier de contrôle de la vitesse



La fonction "Soft Start" (démarrage progressif) prévient les éclaboussures en démarrant automatiquement le robot sur socle à basse vitesse pour ensuite atteindre progressivement la vitesse sélectionnée. Pour limiter davantage les risques d'éclaboussures, commencez toujours par activer la vitesse 1, puis passez graduellement aux vitesses supérieures jusqu'à atteindre la vitesse souhaitée. Reportez-vous à la section "Guide de réglage de la vitesse".

Protection par réinitialisation automatique du moteur

Si le robot sur socle s'arrête de fonctionner en raison d'une surcharge, débranchez-le après avoir mis le levier de contrôle de la vitesse en position "0" (ARRÊT). Après quelques minutes, le robot est automatiquement réinitialisé. Ensuite, rebranchez-le et mettez le levier de contrôle de la vitesse à la position de vitesse souhaitée, puis continuez à mélanger. Si le robot sur socle ne redémarre pas, laissez-le débranché plus longtemps pour qu'il puisse refroidir, puis rebranchez-le et remettez-le en marche. S'il ne redémarre toujours pas, reportez-vous à la section "Dispositions à prendre pour un entretien et une réparation".

Bouton d'arrêt immédiat

Si vous devez arrêter le robot sur socle immédiatement pendant son utilisation, appuyez sur le bouton d'arrêt immédiat. Pour le redémarrer, mettez le levier de contrôle de vitesse en position "0" (ARRÊT) et tirez le bouton d'arrêt immédiat vers l'arrière. Vous pourrez alors réutiliser normalement le robot sur socle.

MISE EN SERVICE DE VOTRE ROBOT SUR SOCLE

Réglage du jeu entre le batteur plat et le bol

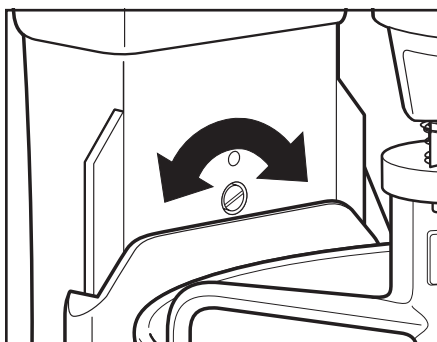
Votre robot sur socle est réglé en usine de manière à ce que le batteur plat se trouve au ras du fond du bol. Si, pour quelque raison que ce soit, le batteur plat heurte le fond du bol ou que l'espace qui les sépare est trop important, le jeu entre les deux peut être corrigé facilement.

1. Mettez le levier de contrôle de la vitesse en position "0" (ARRÊT).
2. Débranchez le robot sur socle ou coupez l'alimentation.
3. Soulevez la grille de protection.
4. Abaissez complètement le levier lève-bol.
5. Pour remonter le batteur plat, tournez légèrement sa vis de réglage de la hauteur dans le sens contraire des aiguilles d'une montre (vers la gauche) et pour l'abaisser, tournez-la dans le sens des aiguilles d'une montre (vers la droite).
6. Réglez la hauteur du batteur plat jusqu'à ce qu'il soit au ras du fond du bol. Si vous serrez trop la vis, le levier lève-bol risque de ne pas se verrouiller.

Français

REMARQUE : lorsque sa hauteur est correctement réglée, le batteur plat ne heurte pas le fond ni les parois du bol. Si le batteur plat (dans le cas des batteurs avec revêtement) ou le fouet en acier inoxydable sont trop près du fond du bol au point de buter contre celui-ci, le revêtement du batteur risque d'être abîmé et les fils métalliques du fouet risquent d'être usés prématurément.

Il peut être nécessaire de racler les bords du bol dans certaines conditions quel que soit le réglage du batteur plat. Arrêtez le robot sur socle avant d'entamer cette opération sous peine d'endommager l'appareil.



UTILISATION DE VOTRE ROBOT SUR SOCLE

Utilisation des accessoires KitchenAid

Batteur plat pour préparations normales à épaisses (le temps de fonctionnement recommandé est de 1 à 10 minutes selon la recette) :

gâteaux	biscuits
glaçages à la crème	pains express
confiseries	pains de viande
cookies	purée de pommes de terre
pâte à tarte	

Fouet à fils pour les préparations de mélanges aérés (le temps de fonctionnement recommandé est de 1 à 30 minutes selon la recette) :

œufs	glaçages
blancs d'œufs	biscuits de Savoie
crème épaisse	mayonnaise

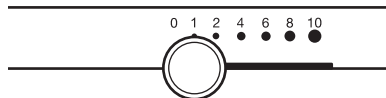
Crochet pétrisseur pour mélanger et pétrir des pâtes à levure (le temps de fonctionnement recommandé est de 1 à 10 minutes selon la recette) :

pains	brioches
roulés	petits pains

UTILISATION DE VOTRE ROBOT SUR SOCLE

Guide de réglage de la vitesse - Robots sur socle à 10 vitesses

Toutes les vitesses disposent de la fonction "Soft Start" (démarrage progressif) qui démarre automatiquement le robot sur socle à basse vitesse, afin d'éviter les éclaboussures d'ingrédients et le "nuage de farine" à la mise en marche, et augmente ensuite rapidement la vitesse jusqu'à atteindre celle sélectionnée pour garantir un rendement optimal.



Vitesse	Utilisation	Accessoires	Description
1	Amalgamer		Pour amalgamer, mélanger, lier, réduire en purée et démarrer en douceur toutes les opérations de mélange. Utilisez cette vitesse pour ajouter de la farine ou des ingrédients secs dans une pâte et pour ajouter des liquides dans des ingrédients secs. N'utilisez pas la vitesse 1 pour mélanger ou pétrir des pâtes à levure.
2	Mélanger lentement, pétrir		Pour mélanger lentement, presser en purée et brasser plus rapidement. Utilisez cette vitesse pour mélanger et pétrir les pâtes à levure, les pâtes épaisses et les confiseries, commencer à presser en purée des pommes de terre et d'autres légumes, incorporer la matière grasse à la farine et mélanger les pâtes liquides.
4	Mélanger, battre		Pour mélanger les pâtes semi-épaisses comme celles des biscuits. Utilisez cette vitesse pour travailler le sucre et la matière grasse et pour ajouter le sucre aux blancs d'œufs pour la confection de meringues. Vitesse moyenne pour les mélanges à gâteaux.
6	Battre, rendre crémeux		Pour battre à vitesse moyenne-élevée (en crème) ou fouetter. Utilisez cette vitesse pour finir de mélanger la pâte à gâteau, la pâte à beignets et d'autres pâtes. Vitesse élevée pour les mélanges à gâteaux.
8-10	Battre rapidement, fouetter et fouetter rapidement		Pour fouetter la crème, les blancs d'œufs et les glaçages. Pour le fouettage de petites quantités de crème et de blancs d'œufs ou pour le fouettage final de purée de pommes de terre.

Français

REMARQUE : utilisez la vitesse 2 pour mélanger ou pétrir des pâtes levées. La sélection de toute autre vitesse risque fortement d'endommager le robot sur socle. Le crochet pétrisseur en spirale PowerKnead pétrit efficacement la plupart des pâtes levées en quatre minutes.

Tableau des capacités

	Bol de 6,9 L
Farine	2 à 2,2 kg
Pain	8 pains de 450 g
Cookies et biscuits	160 pièces
Purée de pommes de terre	3,6 kg

ENTRETIEN ET NETTOYAGE

Le bol en acier inoxydable, le batteur plat, le fouet en acier inoxydable, le crochet pétrisseur et le verseur amovible peuvent être lavés au lave-vaisselle. Ne pas utiliser de produit de nettoyage dont le pH est inférieur à 5. Vous pouvez aussi les nettoyer soigneusement à l'eau chaude savonneuse, puis les rincer complètement avant de les sécher. Ne laissez pas les accessoires de battage sur l'axe. Le robot sur socle ne doit pas être nettoyé sous un robinet à jet ou à douchette.

Français

AVERTISSEMENT

RISQUE D'ÉLECTROCUTION

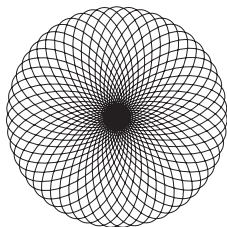
VEILLES À TOUJOURS DÉBRANCHER LE ROBOT AVANT DE LE NETTOYER AFIN D'ÉVITER TOUT RISQUE DE CHOC ÉLECTRIQUE.

Nettoyez le robot sur socle à l'aide d'un chiffon humide. N'IMMERGEZ PAS L'APPAREIL DANS L'EAU. Essayez fréquemment l'axe d'accessoires pour enlever tout résidu pouvant s'accumuler.

CONSEILS POUR OBTENIR DES RÉSULTATS OPTIMAUX

Action de mélange à mouvement planétaire

Pendant le fonctionnement du robot, le batteur plat tourne autour du bol fixe et simultanément dans le sens contraire sur son propre axe. Le schéma ci-contre illustre le chemin complet parcouru par le batteur dans le bol.



Le modèle 5KSM7990 a une puissance de 500 watts et utilise un moteur à courant continu, à la fois silencieux et très efficace, conjugué à un système à transmission directe. Ceci permet d'atteindre une puissance de crête de 1,3 ch. (puissance d'entraînement du moteur), pour un mélange rapide et d'excellente qualité même avec des pâtes épaisses.

Temps de mélange

Votre robot sur socle KitchenAid garantit un mélange plus rapide et plus performant que la plupart des autres robots électriques. Par conséquent, la durée de mélange indiquée dans la plupart des recettes doit être ajustée pour éviter un battage excessif.

Pour déterminer le temps de mélange idéal, observez la pâte ou la préparation et mélangez jusqu'à obtenir l'apparence recherchée telle que décrite dans votre recette, par exemple un aspect "lisse et crémeux". Reportez-vous à la section "Guide de réglage de la vitesse" pour sélectionner la vitesse de mélange optimale.

Utilisation du robot sur socle

AVERTISSEMENT

RISQUE DE BLESSURES

Pour éviter les risques de blessures et tout dommage causé au batteur plat, ne tentez pas de racler le bol pendant le fonctionnement du robot, mais arrêtez-le. Si le grattoir ou tout autre objet tombait dans le bol, ne le retirez qu'après avoir coupé le moteur.

Le bol et le batteur plat sont conçus pour assurer une homogénéité du mélange sans nécessiter un raclage fréquent. En général, il suffit de racler le bol une ou deux fois durant le mélange.

Le robot sur socle peut s'échauffer lorsqu'il fonctionne. Dans le cas de charges importantes et d'une durée de mélange prolongée, il est possible que vous ayez des difficultés à toucher le dessus de l'appareil. Cela est normal.

Français

Conseils de mélange

Ajout d'ingrédients

Ajoutez toujours les ingrédients aussi près que possible des parois du bol et pas directement dans la zone du batteur plat en mouvement. Pour les introduire plus facilement, utilisez le verseur amovible. Utilisez la vitesse 1 jusqu'à ce que les ingrédients soient correctement mélangés. Augmentez ensuite progressivement la vitesse jusqu'à la position désirée.

Ajout de noix, de raisins secs ou de fruits confits

Reportez-vous aux recettes individuelles pour savoir comment ajouter ces ingrédients. En général, les matières solides doivent être incorporées au cours des dernières secondes de mélange à la vitesse 1. La pâte doit être suffisamment épaisse pour éviter que les fruits ou les noix s'enfoncent jusqu'au fond du moule durant la cuisson. Les fruits collants doivent être saupoudrés de farine pour une meilleure répartition dans la pâte.


Mélanges liquides

Les préparations contenant de grandes quantités d'ingrédients liquides doivent être mélangées à basse vitesse afin d'éviter les éclaboussures. N'augmentez la vitesse qu'une fois le mélange épaissi.

REMARQUE : si les ingrédients qui se trouvent dans le fond du bol ne sont pas correctement mélangés, cela signifie que le batteur plat n'est pas suffisamment près du fond. Voir la section "Mise en service de votre robot sur socle".

Dispositions à prendre pour un entretien et une réparation

⚠ AVERTISSEMENT



Risque d'électrocution

Débranchez le robot avant d'effectuer un entretien et une réparation.

Ne pas respecter cette consigne peut causer la mort ou un choc électrique.

Français

Veillez lire les instructions suivantes avant d'appeler votre centre de service après-vente.

1. Le robot sur socle peut s'échauffer lorsqu'il fonctionne. Dans le cas de charges importantes et d'une durée de mélange prolongée, il est possible que vous ayez des difficultés à toucher le dessus de l'appareil. Cela est normal.

2. Le robot sur socle peut dégager une odeur forte, particulièrement lorsqu'il est encore neuf. Cela est fréquent avec les moteurs électriques.
3. Si le batteur plat heurte le bol, arrêtez le robot sur socle. Voir la section "Mise en service de votre robot sur socle".

Si votre robot sur socle fonctionne mal ou ne fonctionne pas du tout, vérifiez les points suivants :

- Le robot est-il branché ?
- Le fusible du circuit électrique relié au robot fonctionne-t-il normalement ? Si vous disposez d'un panneau disjoncteur, assurez-vous que le circuit est fermé.
- Le bouton d'arrêt immédiat est-il tiré vers l'arrière ?
- Débranchez le robot et attendez 10 à 15 secondes avant de le remettre en marche. S'il ne démarre toujours pas, laissez-le refroidir pendant 30 minutes avant de le remettre en marche.
- Si le problème n'est pas dû à l'une des raisons ci-dessus, reportez-vous à la section "Centres de service après-vente".

Garantie du robot sur socle à bol relevable professionnel KitchenAid

Durée de la garantie :	KitchenAid prend en charge :	KitchenAid ne prend pas en charge :
<p>Europe, Australie et Nouvelle-Zélande :</p> <p>Pour le robot sur socle professionnel 5KSM7990 : Un an de garantie complète à compter de la date d'achat.</p>	<p>Le coût des pièces de rechange et de la main-d'œuvre nécessaire à la réparation pour corriger les vices de matériaux et de fabrication. La maintenance doit être assurée par un centre de service après-vente agréé par KitchenAid.</p>	<p>Les réparations suite à un accident, une modification, une utilisation inappropriée ou excessive, ou une installation ou un fonctionnement non conforme avec les réglementations électriques locales.</p>

KITCHENAID N'ASSUME AUCUNE RESPONSABILITÉ POUR DES DOMMAGES INDIRECTS.

ENTRETIEN ET GARANTIE

Centres de service après-vente

Toutes les réparations doivent être prises en charge localement par un Centre de service après-vente KitchenAid agréé. Veuillez contacter le distributeur/revendeur auprès duquel l'appareil a été acheté pour connaître les coordonnées du Centre de service après-vente agréé KitchenAid le plus proche.

Service à la clientèle

N° vert gratuit pour la France :

Composez le 0800 600120

N° vert gratuit pour la Belgique :

Composez le 0800 93285

**N° vert gratuit pour le Grand-Duché
du Luxembourg :**

Composez le 800 23122

Pour la Suisse :

NOVISSA HAUSHALTGERÄTE AG

Bernstrasse 18

CH-2555 BRÜGG

Tel: 032 475 10 10

Fax: 032 475 10 19

Français

**Adresse courrier pour la France, la Belgique
et le G-D du Luxembourg :**

KitchenAid Europa, Inc.

Boîte Postale 19

B-2018 ANVERS (ANTWERPEN) | |

Belgique

www.KitchenAid.fr

www.KitchenAid.be

www.KitchenAid.eu



Technology Center
303 Upton Drive, St. Joseph, MI 49085-1175

**EU – DECLARATION OF CONFORMITY
CE-DECLARATION DE CONFORMITE**

Français

We: WHIRLPOOL CORPORATION, 303 UPTON DR., ST. JOSEPH, MI 49085, USA
Representing: WHIRLPOOL EUROPE S.r.l I-21025 COMERIO

Declare under sole responsibility that the product:

KitchenAid™ Stand Mixers: Model 5KSM79XX+

Where:

XX = up to 2 alphanumeric characters, which represents the features, distributor code and/or color

+ = May or may not be followed by five or more digit suffix codes to indicate change in aesthetics

to which this declaration relates, is in conformity with the following standard(s) or other normative document(s):

- IEC 60335-1: Ed.5: 2010**
- IEC 60335-2-64: Edition 3.1 2008-03**
- EN 55014-1:2006 + A1:2009**
- EN 55014-2:1997 + A1:2001 + A2:2008**
- EN 61000-3-2:2006 + A1:2009 + A2:2009**
- EN 61000-3-3:2008**
- EN 62233:2008**

The model listed conforms to the provisions of Directive (s):

- | | |
|---------------------|---|
| 2004/108/EC | ELECTROMAGNETIC COMPATABILITY DIRECTIVE |
| 2006/95/EC | LOW VOLTAGE DIRECTIVE |
| 2006/42/EC | MACHINERY DIRECTIVE |
| 10/2011/EU | PLASTIC MATERIALS INTENDED TO CONTACT FOOD |
| 1935/2004/EC | MATERIALS INTENDED TO CONTACT FOOD |

Place and Date:
Saint Joseph, MI, USA
30 January, 2012

Represented by:

Mark Dahmer
Engineering Director
KitchenAid Portable Appliances Division



FOR THE WAY IT'S MADE.

© 2012. Tous droits réservés.

Les spécifications de l'appareil peuvent faire l'objet de modifications sans avis préalable.



KitchenAid

6.9 L PROFESSIONAL BOWL-LIFT STAND MIXER

Original Instructions

**KÜCHENMASCHINE MIT SCHÜSSELHEBER UND 6,9 L SCHÜSSEL
FÜR DEN GEWERBLICHEN EINSATZ**

Originalanleitungen

ROBOT SUR SOCLE PROFESSIONNEL À BOL RELEVABLE DE 6,9 L

Instructions d'origine

ROBOT DA CUCINA PROFESSIONALE CON SOLLEVAMENTO CIOTOLA DA 6,9 L

Istruzioni originali

6,9 L PROFESSIONELE MIXER/KEUKENROBOT MET IN DE HOOGTE VERSTELBARE KOM

Originele instructies

BATIDORA PROFESIONAL DE PIE CON BOL ELEVABLE DE 6,9 L

Instrucciones originales

BATEDEIRA PROFISSIONAL COM SUPORTE PARA TAÇA DE 6,9 L

Intruções originais

ΕΠΑΓΓΕΛΜΑΤΙΚΟ ΜΙΞΕΡ ΜΕ ΒΑΣΗ ΚΑΙ ΥΠΕΡΥΨΩΜΕΝΟ ΜΠΟΛ 6,9 L

Αρχικές οδηγίες

6,9 L PROFESSIONELL KÖKSMASKIN MED SKÅL PÅ HÄVARM

Originalinstruktioner

6,9 L BOLLELØFTENDE KJØKKENMASKIN

Originale instruksjoner

6,9 L AMMATIKÄYTTÖÖN TARKOITETTU YLEISKONE

Alkuperäiset ohjeet

6,9 L PROFESSIONEL KØKKENMASKINE MED SKÅLLØFT

Originale Instruktioner

6,9 L BORDHRÆRIVÉL MED LYFTANLEGRI SKÁL FYRIR FAGFÓLK

Upphaflegar leiðbeiningar

ПРОФЕССИОНАЛЬНЫЙ МИКСЕР СО СЪЕМНОЙ ЧАШЕЙ 6,9 л

Оригинальные инструкции

PROFESJONALNY MIKSER STOJĄCY Z PODNOSZONĄ DZIEŻĄ 6,9 L

Originalna instrukcja

PROFESIONÁLNÍ KUCHYŇSKÝ ROBOT SE ZVEDACÍ MÍSOU O OBJEMU 6.9 L

Originální pokyny

PROFESIONÁLNY KUCHYŇSKÝ ROBOT SO ZDVÍHACOU MISOU O OBJEME 6,9 L

Originálne pokyny

MIXER PROFESIONAL CU SOCLU ŞI BOL DE 6,9 L

Instrucţiuni originale

ПРОФЕССИОНАЛЕН КУХНЕНСКИ РОБОТ С ПОВДИГАЩА СЕ КУПА С ВМЕСТИМОСТ 6,9 L

Оригинални инструкции

Model 5KSM7990*



Sommario

CONSIGLI PER LA SICUREZZA	
Precauzioni importanti.....	48
Requisiti elettrici.....	49
Smaltimento dispositivi elettrici	49
COMPONENTI E FUNZIONI	50
PREPARAZIONE DEL ROBOT DA CUCINA	
Montaggio del robot da cucina.....	51
Regolazione della distanza tra fusta e ciotola	53
UTILIZZO DEL ROBOT DA CUCINA	
Utilizzo degli accessori in dotazione al robot KitchenAid	53
Guida al controllo della velocità - Robot da cucina a 10 velocità	54
MANUTENZIONE E PULIZIA	55
SUGGERIMENTI UTILI	
Movimento planetario.....	56
Tempo di impasto.....	56
Uso del robot da cucina	56
Consigli per l'impasto.....	56
ASSISTENZA E GARANZIA	
Quando chiamare l'assistenza	57
Garanzia del robot da cucina professionale con sollevamento ciotola KitchenAid	57
Centri di assistenza	58
Servizio clienti	58

CONSIGLI PER LA SICUREZZA

La sicurezza personale e altrui è estremamente importante.

In questo manuale e sull'apparecchio stesso sono riportati molti messaggi importanti sulla sicurezza. Leggere e osservare tutte le istruzioni contenute nei messaggi sulla sicurezza.



Questo simbolo rappresenta le norme di sicurezza.

Segnala potenziali pericoli per l'incolumità personale e altrui.

Tutti i messaggi sulla sicurezza sono segnalati dal simbolo di avvertimento e dal termine "PERICOLO" o "AVVERTENZA". Questi termini indicano quanto segue:

 **PERICOLO**

Se non si osservano **immediatamente** le istruzioni di sicurezza, si corre il rischio di subire lesioni gravi o mortali.

 **AVVERTENZA**

Se non si osservano le istruzioni di sicurezza, si corre il rischio di subire lesioni gravi o mortali.

Tutte le norme di sicurezza segnalano il potenziale rischio, indicano come ridurre la possibilità di lesioni e illustrano le conseguenze del mancato rispetto delle istruzioni riportate.

Italiano

Precauzioni importanti

Quando si utilizza un apparecchio elettrico, è consigliabile seguire le precauzioni di sicurezza essenziali, comprese quelle elencate di seguito.

1. Leggere tutte le istruzioni.
2. Per evitare il rischio di scosse elettriche, non immergere il robot da cucina in acqua o altri liquidi.
3. I bambini vanno sempre supervisionati per accertarsi che non giochino con l'apparecchio.
4. Se non viene utilizzato e prima di montare o smontare le parti o effettuare la pulizia, il robot da cucina deve essere scollegato dalla presa di corrente.
5. Non toccare le parti in movimento. Durante il funzionamento tenere mani, capelli, vestiti, spatole e altri utensili lontano dalle fruste per limitare il rischio di lesioni a persone e/o danni al robot da cucina.
6. Non mettere in funzione il robot da cucina se il cavo o la spina sono danneggiati, se si sono verificati dei malfunzionamenti o se l'apparecchio è caduto o si è in qualche modo danneggiato.
7. L'utilizzo di utensili non consigliati o non venduti da KitchenAid può provocare incendi, scosse elettriche o lesioni.
8. Non utilizzare il robot da cucina all'aperto.
9. Non far passare il cavo di alimentazione sullo spigolo di tavoli o ripiani.
10. Prima di procedere al lavaggio, rimuovere la frusta piatta, la frusta in acciaio inossidabile o il gancio impastatore dal robot.
11. Questo apparecchio non è indicato per l'uso da parte di persone (inclusi i bambini) con capacità fisiche, mentali o sensoriali ridotte, con mancanza di esperienza e di conoscenza, senza la supervisione o le istruzioni da parte di una persona responsabile per la loro sicurezza.

CONSERVARE LE PRESENTI ISTRUZIONI
QUESTO PRODOTTO È DESTINATO
ESCLUSIVAMENTE AD USO PROFESSIONALE

CONSIGLI PER LA SICUREZZA

Requisiti elettrici

AVVERTENZA



Pericolo di scossa elettrica

Collegare solo a una presa con messa a terra.

Non rimuovere lo spinotto di terra.

Non utilizzare adattatori.

Non utilizzare prolunghe.

Il mancato rispetto di questa avvertenza può provocare morte, incendi o scosse elettriche.

Voltaggio: 220-240 c.a.

Frequenza: 50/60 Hz

Alimentazione: 325 W, tempo di funzionamento raccomandato: da 1 a 30 min. con ciclo di lavoro utile di 10 min. ACCESO/ 15 min. SPENTO.

NOTA: la potenza nominale del robot da cucina è riportata sulla piastra con il numero di serie che si trova nella parte inferiore del robot da cucina.

Non utilizzare prolunghe. Se il cavo di alimentazione è troppo corto, far installare una presa vicino all'apparecchio da un elettricista o un tecnico qualificato.

Il wattaggio massimo è determinato dall'uso dell'accessorio che assorbe maggiore potenza. Altri accessori consigliati possono assorbire una potenza elettrica notevolmente inferiore.

Questo prodotto è fornito di un cavo elettrico tipo Y. Qualora il cavo sia danneggiato, dovrà essere sostituito dal fabbricante o presso un centro di assistenza autorizzato al fine di ridurre al minimo il rischio di lesioni.


Il livello di pressione acustica misurato in conformità al codice di test del prEN 454, è inferiore a 70 dBA.

Il segno * nel modello indica caratteri aggiuntivi che definiscono il colore dell'utensile e la codifica di progettazione del modello effettivo (ad es. 5KSM7990*)

Smaltimento dispositivi elettrici

Questo apparecchio è conforme alla Direttiva europea 2002/96/CE relativa ai rifiuti di apparecchiature elettriche ed elettroniche (RAEE).

Garantendo lo smaltimento corretto di questa apparecchiatura, l'utente contribuisce a prevenire le potenziali conseguenze negative per l'ambiente e la salute associate alla gestione errata dello smaltimento dello stesso.

Il simbolo  riportato sul prodotto o sulla documentazione in dotazione indica che questo apparecchio non deve essere trattato come rifiuto domestico, ma deve

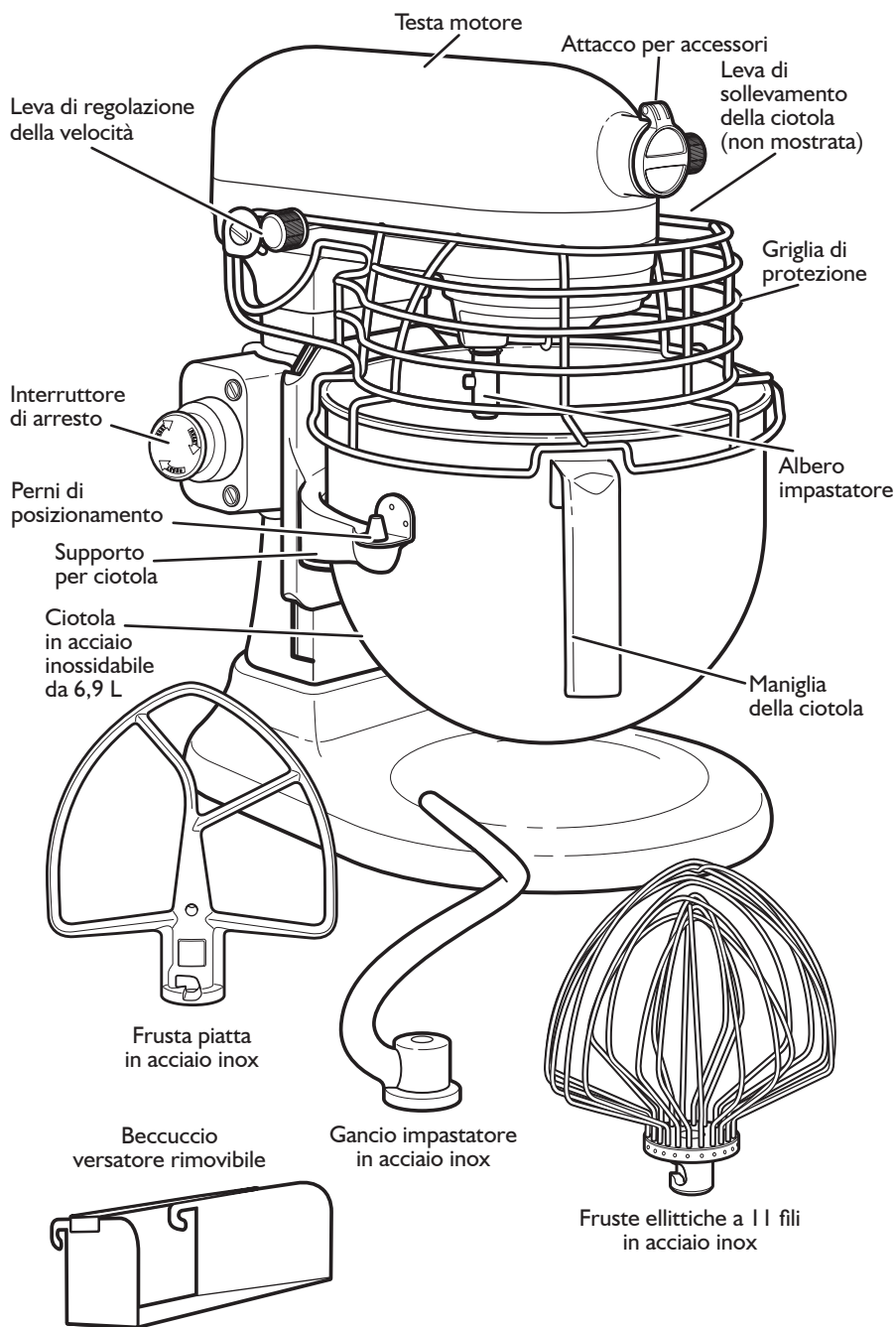
essere consegnato presso il centro di raccolta preposto al riciclaggio delle apparecchiature elettriche ed elettroniche.

Smaltire il robot da cucina in conformità alle normative locali per lo smaltimento dei rifiuti.

Per informazioni più dettagliate su trattamento, recupero e riciclaggio di questo prodotto, è possibile contattare l'ufficio locale di competenza, il servizio di raccolta dei rifiuti domestici o il negozio presso il quale il prodotto è stato acquistato.

COMPONENTI E FUNZIONI

Italiano



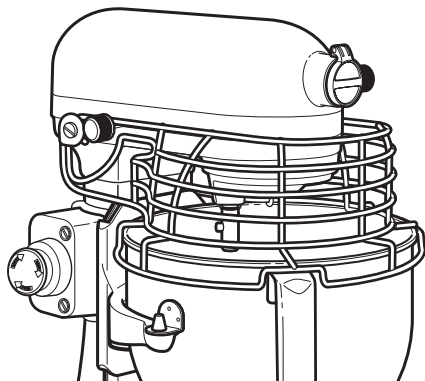
PREPARAZIONE DEL ROBOT DA CUCINA

Montaggio del robot da cucina

Per collegare la ciotola

1. Ruotare la leva di regolazione della velocità su "0" (OFF, spento).
2. Scollegare il robot da cucina dalla presa di corrente o disconnettere l'alimentazione.
3. Sollevare la griglia di protezione.
4. Posizionare la leva di sollevamento della ciotola nella posizione più bassa.
5. Inserire i supporti per ciotola sopra i perni di posizionamento.
6. Premere sulla parte posteriore della ciotola fino a quando il perno della ciotola non scatta nel blocco a molla.

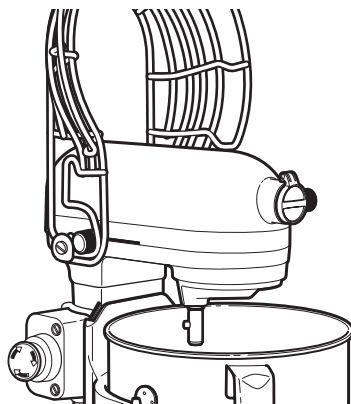
NOTA: se la ciotola non è stata inserita correttamente in posizione, risulterà instabile e traballante durante l'uso.



7. Abbassare la griglia di protezione.
8. Sollevare la ciotola prima di impastare.

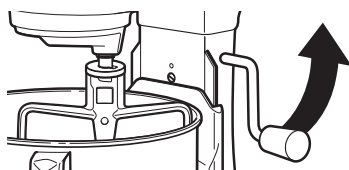
Per rimuovere la ciotola

1. Ruotare la leva di regolazione della velocità su "0" (OFF, spento).
2. Scollegare il robot da cucina dalla presa di corrente o disconnettere l'alimentazione.
3. Sollevare la griglia di protezione.



4. Posizionare la leva di sollevamento della ciotola nella posizione più bassa.
5. Rimuovere la frusta piatta, la frusta a filo o il gancio impastatore.
6. Afferrare la ciotola per la maniglia e sollevare fino a disinserire i perni di posizionamento.

Per sollevare la ciotola



1. Ruotare la leva in senso antiorario fino a raggiungere la posizione più alta.
2. Per procedere alla fase di impasto, la ciotola deve essere sempre sollevata e bloccata.

PREPARAZIONE DEL ROBOT DA CUCINA

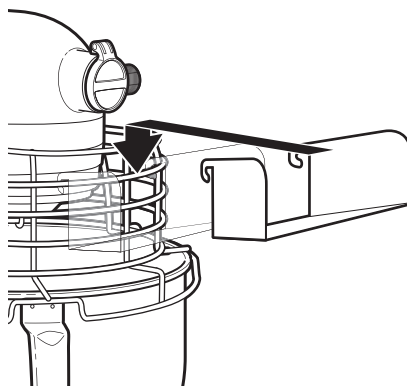
INSTALLAZIONE: il robot da cucina deve essere installato su una superficie piana e stabile, come il piano o il tavolo di lavoro.

Per abbassare la ciotola

1. Ruotare la leva all'indietro e verso il basso.

Per montare la frusta piatta, la frusta a filo o il gancio impastatore

1. Ruotare la leva di regolazione della velocità su "0" (OFF, spento).
2. Scollegare il robot da cucina dalla presa di corrente o disconnettere l'alimentazione.
3. Sollevare la griglia di protezione.
4. Inserire la frusta piatta nell'albero impastatore e spingere quanto più possibile verso l'alto.
5. Ruotare la frusta a destra, incastrandola nel perno che si trova sull'albero impastatore.



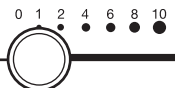
Beccuccio versatore rimovibile

Il beccuccio versatore rimovibile è già installata sulla parte anteriore della griglia di protezione, come mostrato nella figura sopra, e offre un sistema comodo per aggiungere gli ingredienti nella ciotola del robot da cucina.

Per rimuovere la frusta piatta, la frusta a filo o il gancio impastatore

1. Ruotare la leva di regolazione della velocità su "0" (OFF, spento).
2. Scollegare il robot da cucina dalla presa di corrente o disconnettere l'alimentazione.
3. Sollevare la griglia di protezione.
4. Spingere la frusta il più in alto possibile e ruotare verso sinistra.
5. Rimuovere la frusta dall'albero impastatore.

Leva di regolazione della velocità



La funzione Soft Start riduce al minimo la fuoriuscita degli ingredienti poiché consente di avviare il robot da cucina a una velocità ridotta prima di portarlo alla velocità selezionata. Per ridurre ulteriormente il rischio di fuoriuscite, iniziare sempre a miscelare partendo dalla velocità 1, quindi incrementare gradualmente la velocità fino a raggiungere il livello richiesto. Vedere la sezione "Guida al controllo della velocità".

Protezione motore a ripristino automatico

Se il robot da cucina si blocca a causa di un sovraccarico, portare la leva di regolazione della velocità su "0" (OFF, spento) e scollegare il robot da cucina dalla presa di corrente. Dopo alcuni minuti, il robot da cucina si ripristina automaticamente. Collegare nuovamente il robot da cucina alla presa di corrente e portare la leva di regolazione della velocità alla velocità desiderata per riprendere la miscelazione. Se il robot da cucina non si accende, scollegarlo dalla presa di corrente per un periodo maggiore e attendere che si raffreddi; quindi collegare nuovamente il robot da cucina alla corrente e accenderlo. Se il robot da cucina non si accende, vedere la sezione "Quando chiamare l'assistenza".

Interruttore di arresto

Se si rende necessario bloccare tempestivamente il robot da cucina durante l'uso, premere l'interruttore di arresto. Per riprendere l'operazione, portare la leva di regolazione della velocità su "0" (OFF, spento) e disinserire l'interruttore di arresto. A questo punto è possibile procedere nuovamente al normale utilizzo del robot da cucina.

PREPARAZIONE DEL ROBOT DA CUCINA

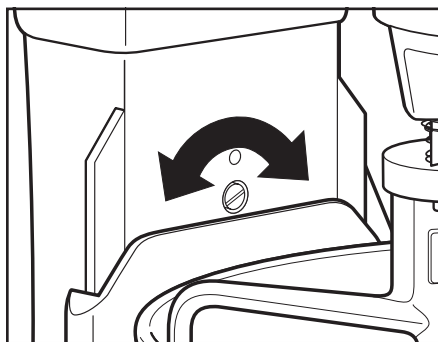
Regolazione della distanza tra frusta e ciotola

Secondo le regolazioni di fabbrica, la frusta piatta del robot da cucina deve risultare appena sollevata rispetto al fondo della ciotola. Se per un qualsiasi motivo la frusta piatta tocca il fondo della ciotola o è troppo sollevata, è facile correggere la distanza.

1. Ruotare il controllo della velocità su "0" (OFF, spento).
2. Scollegare il robot da cucina dalla presa di corrente o disconnettere l'alimentazione.
3. Sollevare la griglia di protezione.
4. Portare la ciotola nella posizione più bassa.
5. Ruotare leggermente la vite di regolazione dell'altezza della frusta in senso antiorario (sinistra) per sollevare la frusta piatta o in senso orario (destra) per abbassare la frusta piatta.
6. Regolare la frusta piatta in modo che rimanga appena sollevata dal fondo della ciotola. Se si serra eccessivamente la vite, la leva di sollevamento della ciotola potrebbe non incastrarsi perfettamente.

NOTA: se regolata adeguatamente, la frusta piatta non tocca il fondo né la parete della ciotola. Se la frusta piatta o la frusta in acciaio inox è tanto vicina da toccare il fondo della ciotola, è possibile che il rivestimento delle fruste rivestite o i fili della frusta in acciaio inox si usurino.

A volte è necessario spatolare i lati della ciotola a prescindere dalla regolazione della frusta. Spegnerne il robot da cucina per spatolare la ciotola; in caso contrario, si rischia di danneggiare l'apparecchio.



Italiano

UTILIZZO DEL ROBOT DA CUCINA

Utilizzo degli accessori in dotazione al robot KitchenAid

Frusta piatta per impasti normali o pesanti (Il tempo di funzionamento consigliato è 1-10 minuti, in base alla ricetta):

torte	biscotti
glasse a base di panna	pane a lievitazione veloce
dolcetti	polpettone
pasticcini	purè di patate
impasto per torte	

Frusta a filo per montare (Il tempo di funzionamento consigliato è 1-30 minuti, in base alla ricetta):

uova	glassa cotta
albumi	pan di spagna
panna densa	maionese

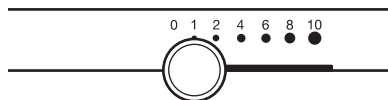
Gancio impastatore per mescolare e lavorare impasti lievitati (Il tempo di funzionamento consigliato è 1-10 minuti, in base alla ricetta):

pane	pasticcini per il caffè
panini	panini dolci

UTILIZZO DEL ROBOT DA CUCINA

Guida al controllo della velocità - Robot da cucina a 10 velocità

Tutte le velocità sono dotate della funzione Soft Start che consente di avviare il robot da cucina a una velocità ridotta per evitare che all'accensione gli ingredienti fuoriescano e la farina si sollevi; in seguito la velocità aumenterà rapidamente fino a raggiungere quella selezionata per garantire la prestazione migliore.



Italiano

Velocità	Utilizzato per	Accessori	Descrizione
1	Amalgamare		Per amalgamare lentamente, mescolare, ridurre in purea, iniziare tutte le procedure per impastare. Da utilizzare per aggiungere farina e ingredienti secchi alla pastella e per aggiungere liquidi a ingredienti secchi. Non utilizzare la velocità 1 per mescolare o lavorare impasti lievitati.
2	Miscelare lentamente, impastare		Per mescolare lentamente, ridurre in purea, amalgamare più velocemente. Da utilizzare per mescolare e lavorare impasti lievitati, pastelle dense e dolcetti, per ridurre in purea patate e altre verdure, sminuzzare il grasso da pasticceria, mescolare pastelle morbide o liquide.
4	Miscelare, sbattere		Per mescolare pastelle mediamente dense, come quelle dei biscotti. Da utilizzare per incorporare zucchero e grasso da pasticceria e per aggiungere zucchero agli albumi per le meringhe. Velocità media per impasti di torte.
6	Sbattere, montare a neve		Per sbattere a velocità medio-alta (montare a neve) o frustare. Da utilizzare nella fase finale di preparazione di impasti per torte, ciambelle e altre pastelle. Velocità elevata per impasti di torte.
8-10	Sbattere velocemente, frustare, frustare velocemente		Per montare panna, albumi e glasse cotte. Per montare piccole quantità di panna, albumi o nella fase finale di preparazione del purè di patate.

NOTA: per mescolare o lavorare impasti lievitati, utilizzare la velocità 2. Con le altre velocità si corre il rischio di danneggiare il robot da cucina. Il gancio impastatore PowerKnead è in grado di lavorare in modo ottimale gli impasti lievitati in soli 4 minuti.

Tabella della capienza

	Ciotola da 6,9 L
Farina	da 2 a 2,2 kg
Pane	8 pagnotte da 450 g
Dolcetti/Biscotti	160 pezzi
Purè di patate	3,6 kg

MANUTENZIONE E PULIZIA

La ciotola in acciaio inox, la frusta piatta, la frusta in acciaio inox, il gancio impastatore e il beccuccio versatore sono lavabili in lavastoviglie. Non usare detergenti con un Ph inferiore a 5. In alternativa, lavarli bene con acqua calda e sapone e sciacquarli a fondo prima di asciugarli. Non lasciare le fruste inserite sull'albero motore. Non pulire il robot da cucina con un getto d'acqua o la doccia del rubinetto.

AVVERTENZA

**PERICOLO DI SCOSSA ELETTRICA
ASSICURARSI SEMPRE DI SCOLLE-
GARE LA SPINA DEL ROBOT DA
CUCINA PRIMA DI PULIRLO PER
EVITARE IL RISCHIO DI SCOSSE
ELETTRICHE.**

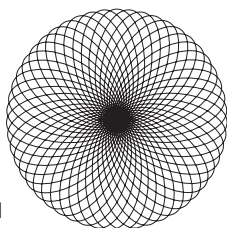
**Pulire con un panno umido.
NON IMMERGERLO IN ACQUA.
Pulire spesso l'albero impastatore,
rimuovendo eventuali residui.**

Italiano

SUGGERIMENTI UTILI

Movimento planetario

Durante il funzionamento, la frusta piatta si muove all'interno della ciotola ferma e ruota attorno al proprio asse in direzione opposta. Lo schema mostra il percorso della frusta a copertura completa della ciotola.



Il modello 5KSM7990 presenta un carico massimo di 500 watt e utilizza un motore a corrente continua. Si tratta di un motore silenzioso ed estremamente efficiente, unito a un sistema di trasmissione diretta; questo consente di azionare un motore da 1,3 hp alla massima potenza (potenza motore in uscita) e di ottenere prestazioni ottimali in tempi brevi anche con impasti duri.

Tempo di impasto

Il robot da cucina KitchenAid impasta meglio e più velocemente di molti altri robot da cucina elettrici. Pertanto il tempo di impasto indicato nella maggior parte delle ricette deve essere adeguato per non mescolare troppo a lungo.

Per definire il tempo di impasto ideale, osservare la pastella o l'impasto e mescolare solo fino al momento in cui ha assunto l'aspetto desiderato come descritto dalla ricetta, ad es. "liscio e cremoso". Per selezionare la migliore velocità di impasto, consultare la sezione "Guida al controllo della velocità".

Uso del robot da cucina

! AVVERTENZA

PERICOLO DI LESIONE PERSONALE

Per evitare lesioni personali o danni alla frusta, non tentare di raschiare la ciotola mentre il robot da cucina è in funzione. Spegnerne l'apparecchio. Nel caso in cui una spatola o un altro oggetto finisca nella ciotola, spegnere il motore prima di rimuovere.

La ciotola e la frusta sono stati progettati per impastare accuratamente senza bisogno di smuovere spesso il fondo della ciotola. In genere, è sufficiente smuovere il fondo una o due volte durante il funzionamento.

Il robot da cucina potrebbe scaldarsi durante l'utilizzo. Nel caso di grandi quantità e funzionamento prolungato è possibile che la parte superiore dell'apparecchio si surriscaldi.

Consigli per l'impasto

Aggiunta degli ingredienti

Quando si aggiungono gli ingredienti versarli sempre dal bordo della ciotola, non direttamente sulla frusta in movimento. Utilizzare il beccuccio versatore per facilitare l'aggiunta degli ingredienti. Selezionare la velocità 1 fino a ottenere un impasto omogeneo. Poi aumentare gradualmente fino alla velocità desiderata.

Aggiunta di noci, uvetta o frutta candita

Per indicazioni sull'aggiunta di questi ingredienti, seguire le singole ricette. In generale, gli ingredienti solidi dovrebbero essere aggiunti negli ultimi secondi di miscelazione a velocità 1. La pastella deve essere abbastanza densa da non consentire alla frutta o alle noci di cadere sul fondo della tortiera durante la cottura in forno. Affinché possano distribuirsi meglio nell'impasto, si consiglia di passare la frutta appiccicosa nella farina.

Impasti liquidi

Si consiglia di mescolare a velocità ridotta gli impasti contenenti grandi quantità di ingredienti liquidi per evitare che fuoriescano. Aumentare la velocità solo una volta ottenuta una miscela più densa.

NOTA: se gli ingredienti sul fondo della ciotola non risultano ben mescolati, significa che la frusta è troppo in alto rispetto al fondo della ciotola. Vedere la sezione "Preparazione del robot da cucina".

Quando chiamare l'assistenza

⚠ AVVERTENZA



Pericolo di scossa elettrica

Scollegare dalla rete prima di effettuare interventi di manutenzione.

Il mancato rispetto di questa avvertenza può provocare lesioni fatali o scosse elettriche.

Si prega di leggere quanto segue prima di rivolgersi al proprio centro di assistenza.

1. Il robot da cucina potrebbe scaldarsi durante l'utilizzo. Nel caso di grandi quantità e funzionamento prolungato è possibile che la parte superiore dell'apparecchio si surriscaldi.
2. È possibile che il robot da cucina emani un odore pungente, soprattutto se nuovo: questo fenomeno si verifica spesso nei motori elettrici.

3. Se la frusta piatta striscia contro la ciotola, spegnere il robot da cucina. Vedere la sezione "Preparazione del robot da cucina".

Se il robot da cucina dovesse funzionare male o non funzionare affatto, controllare quanto segue:

- La spina del robot da cucina è collegata alla presa di corrente?
- Il fusibile nel circuito a cui è attaccato il robot da cucina funziona correttamente? Se si dispone di un circuito salvavita, assicurarsi che il circuito sia chiuso.
- L'interruttore di arresto è disinserito?
- Spegnere il robot da cucina per 10-15 secondi, poi riaccenderlo. Se il robot ancora non si avvia, lasciarlo raffreddare per 30 minuti prima di riaccenderlo.
- Se il problema non è dovuto a uno dei punti precedenti, consultare la sezione "Centri di assistenza".

Italiano

Garanzia del robot da cucina professionale con sollevamento ciotola KitchenAid

Durata della garanzia:	KitchenAid si fa carico del pagamento di:	KitchenAid non si fa carico del pagamento di:
Per il robot da cucina professionale 5KSM7990: un anno di copertura totale a partire dalla data di acquisto.	Parti di ricambio e costo di manodopera per le riparazioni necessarie a rimuovere difetti nei materiali o nella qualità di esecuzione. L'assistenza deve essere fornita da un centro di assistenza autorizzato KitchenAid.	Danni provocati da incidenti, alterazioni, utilizzo improprio, abuso o installazione/ funzionamento non conformi alle norme elettriche locali.

KITCHENAID NON SI ASSUME ALCUNA RESPONSABILITÀ PER DANNI INDIRETTI.

ASSISTENZA E GARANZIA

Centri di assistenza

Qualsiasi tipo di assistenza deve essere gestita dal centro di assistenza autorizzato KitchenAid : Casa Dei Rasoi.

Per l'Italia:

CASA DEI RASOI ELETTRICI

Via Carducci 7
24127 BERGAMO

Tel: 035/25 88 85

Fax: 035/264070
casarasoi@alice.it

Italiano

Servizio clienti

Numero verde (chiamata gratuita):
800 901243

Indirizzo:

KitchenAid Europa, Inc.
Codice Postale 19
B-2018 ANTWERPEN 11

www.KitchenAid.it
www.KitchenAid.eu



Technology Center
303 Upton Drive, St. Joseph, MI 49085-1175

**EU – DECLARATION OF CONFORMITY
CE-DECLARATION DE CONFORMITE**

We: WHIRLPOOL CORPORATION, 303 UPTON DR., ST. JOSEPH, MI 49085, USA
Representing: WHIRLPOOL EUROPE S.r.l I-21025 COMERIO

Declare under sole responsibility that the product:

KitchenAid™ Stand Mixers: Model 5KSM79XX+

Where:

XX = up to 2 alphanumeric characters, which represents the features, distributor code and/or color

+ = May or may not be followed by five or more digit suffix codes to indicate change in aesthetics

to which this declaration relates, is in conformity with the following standard(s) or other normative document(s):

- IEC 60335-1: Ed.5: 2010**
- IEC 60335-2-64: Edition 3.1 2008-03**
- EN 55014-1:2006 + A1:2009**
- EN 55014-2:1997 + A1:2001 + A2:2008**
- EN 61000-3-2:2006 + A1:2009 + A2:2009**
- EN 61000-3-3:2008**
- EN 62233:2008**

The model listed conforms to the provisions of Directive (s):

- | | |
|---------------------|---|
| 2004/108/EC | ELECTROMAGNETIC COMPATABILITY DIRECTIVE |
| 2006/95/EC | LOW VOLTAGE DIRECTIVE |
| 2006/42/EC | MACHINERY DIRECTIVE |
| 10/2011/EU | PLASTIC MATERIALS INTENDED TO CONTACT FOOD |
| 1935/2004/EC | MATERIALS INTENDED TO CONTACT FOOD |

Place and Date:
Saint Joseph, MI, USA
30 January, 2012

Represented by:

Mark Dahmer
Engineering Director
KitchenAid Portable Appliances Division

Italiano



FOR THE WAY IT'S MADE.

© 2012. Tutti i diritti riservati.
Specifiche soggette a modifiche senza obbligo di notifica.



KitchenAid

6,9 L PROFESSIONAL BOWL-LIFT STAND MIXER

Original Instructions

**KÜCHENMASCHINE MIT SCHÜSSELHEBER UND 6,9 L SCHÜSSEL
FÜR DEN GEWERBLICHEN EINSATZ**

Originalanleitungen

ROBOT SUR SOCLE PROFESSIONNEL À BOL RELEVABLE DE 6,9 L

Instructions d'origine

ROBOT DA CUCINA PROFESSIONALE CON SOLLEVAMENTO CIOTOLA DA 6,9 L

Istruzioni originali

6,9 L PROFESSIONELE MIXER/KEUKENROBOT MET IN DE HOOGTE VERSTELBARE KOM

Originele instructies

BATIDORA PROFESIONAL DE PIE CON BOL ELEVABLE DE 6,9 L

Instrucciones originales

BATEDEIRA PROFISSIONAL COM SUPORTE PARA TAÇA DE 6,9 L

Intruções originais

ΕΠΑΓΓΕΛΜΑΤΙΚΟ ΜΙΞΕΡ ΜΕ ΒΑΣΗ ΚΑΙ ΥΠΕΡΥΨΩΜΕΝΟ ΜΠΟΛ 6,9 L

Αρχικές οδηγίες

6,9 L PROFESSIONELL KÖKSMASKIN MED SKÅL PÅ HÄVARM

Originalinstruktioner

6,9 L BOLLELØFTENDE KJØKKENMASKIN

Originale instruksjoner

6,9 L AMMATIKÄYTTÖÖN TARKOITETTU YLEISKONE

Alkuperäiset ohjeet

6,9 L PROFESSIONEL KØKKENMASKINE MED SKÅLLØFT

Originale Instruktioner

6,9 L BORDHRÆRIVÉL MED LYFTANLEGRI SKÁL FYRIR FAGFÓLK

Upphaflegar leiðbeiningar

ПРОФЕССИОНАЛЬНЫЙ МИКСЕР СО СЪЕМНОЙ ЧАШЕЙ 6,9 л

Оригинальные инструкции

PROFESJONALNY MIKSER STOJĄCY Z PODNOSZONĄ DZIEŻĄ 6,9 L

Originalna instrukcja

PROFESIONÁLNÍ KUCHYŇSKÝ ROBOT SE ZVEDACÍ MÍSOU O OBJEMU 6.9 L

Originální pokyny

PROFESIONÁLNY KUCHYŇSKÝ ROBOT SO ZDVÍHACOU MISOU O OBJEME 6,9 L

Originálne pokyny

MIXER PROFESIONAL CU SOCLU ŞI BOL DE 6,9 L

Instrucţiuni originale

ПРОФЕССИОНАЛЕН КУХНЕНСКИ РОБОТ С ПОВДИГАЩА СЕ КУПА С ВМЕСТИМОСТ 6,9 L

Оригинални инструкции

Model 5KSM7990*

Inhoud

VEILIGHEID VAN DE MIXER/KEUKENROBOT

Belangrijke voorzorgsmaatregelen	63
Elektrische vereisten	64
Afgedankte elektrische apparatuur	64

ONDERDELEN EN KENMERKEN

65

MIXER/KEUKENROBOT INSTELLEN

Mixer/keukenrobot in elkaar zetten	66
Speling tussen platte menghaak en kom instellen	68

MIXER/KEUKENROBOT GEBRUIKEN

KitchenAid-accessoires/toebehoren gebruiken	68
Richtlijnen voor de snelheidsinstelling - mixers/keukenrobots met 10 snelheden	69

ONDERHOUD EN REINIGING

70

TIPS VOOR PERFECTE RESULTATEN

Planetair mixen	71
Mixtijd	71
Gebruik van de mixer	71
Mixtips	71

DIENT NA-VERKOOP/AFTER SALES SERVICE EN GARANTIE

Wanneer u service nodig hebt	72
Garantie voor KitchenAid professionele mixer/keukenrobot met vaste kop	72
Dienst na-verkoop/after sales service	73
Klantencontact	73

Uw veiligheid en die van anderen is erg belangrijk.

We hebben in deze handleiding en op uw toestel tal van belangrijke veiligheids-waarschuwingen aangebracht. Lees deze veiligheidswaarschuwingen en leef ze na.



Dit is het veiligheidsalarmsymbool.

Dit symbool waarschuwt u voor mogelijke gevaren waarbij u of anderen gedood of verwond kunnen worden.

Alle veiligheidswaarschuwingen volgen op het alarmsymbool en de woorden "GEVAAR" of "WAARSCHUWING". Deze woorden betekenen het volgende:

 **GEVAAR**

U kunt gedood worden of ernstig gewond raken als u de instructies niet onmiddellijk naleeft.

 **WAARSCHUWING**

U kunt gedood worden of ernstig gewond raken als u de instructies niet naleeft.

Alle veiligheidswaarschuwingen informeren u over het potentiële gevaar, over hoe u het risico op verwondingen kunt verminderen en wat er kan gebeuren als u de instructies niet opvolgt.

Nederlands

Belangrijke voorzorgsmaatregelen

Bij het gebruik van elektrische apparaten moeten er altijd basisveiligheidsvoorzorgen worden getroffen, waaronder de volgende:

1. Lees alle instructies.
2. Om u te beschermen tegen het risico van elektrische schokken, mag u de mixer/keukenrobot niet in water of een andere vloeistof plaatsen.
3. Er moet toezicht gehouden worden op kleine kinderen om ervoor te zorgen dat ze niet met het apparaat spelen.
4. Trek de stekker van de mixer/keukenrobot uit het stopcontact wanneer deze niet in gebruik is, voordat u onderdelen monteert of verwijdert en voordat u de mixer/keukenrobot gaat reinigen.
5. Vermijd het aanraken van bewegende onderdelen. Houd handen, haar, kleding en spatels of ander gerei uit de buurt van de platte menghaak wanneer het apparaat in werking is. Zo verkleint u de kans op persoonlijk letsel en/of schade aan de mixer/keukenrobot.
6. Gebruik de mixer/keukenrobot niet met een beschadigd snoer of een beschadigde stekker of na een storing, en ook niet als de mixer/keukenrobot gevallen is of beschadigd is geraakt.
7. Het gebruik van hulpstukken die door KitchenAid niet aanbevolen of verkocht worden, kan brand, elektrische schokken of verwondingen veroorzaken.
8. Gebruik de mixer/keukenrobot niet buitenshuis.
9. Laat het snoer niet over de rand van de tafel of het aanrecht hangen.
10. Verwijder de platte menghaak, de draadgarde of de kneedhaak van de mixer/keukenrobot, voordat u hem afwast.
11. Dit apparaat mag niet worden gebruikt door kinderen, door personen met verminderde lichamelijke, zintuiglijke of mentale capaciteiten of door personen met gebrek aan kennis en ervaring, tenzij de persoon die verantwoordelijk is voor hun veiligheid toezicht houdt of instructies heeft gegeven over het gebruik van het apparaat.

BEWAAR DEZE INSTRUCTIES
DIT PRODUCT IS ONTWERPEN
VOOR PROFESSIONEEL GEBRUIK

Elektrische vereisten

WAARSCHUWING



Gevaar voor elektrische schokken

Steek de stekker in een geaard stopcontact.

Verwijder de randaarde niet.

Gebruik geen adapter.

Gebruik geen verleng snoer.

Het niet opvolgen van deze instructies kan de dood, brand of elektrische schokken tot gevolg hebben.

Voedingsspanning: 220-240 V AC
Hertz: 50/60 Hz
Netvoeding: 325 W, Aanbevolen
bedrijfstijd: 1-30 minuten met een
relatieve inschakelduur van 10 min.
AAN/15 min. UIT.

OPMERKING: Het elektrisch vermogen van de mixer/keukenrobot staat op het plaatje aan de onderkant van het apparaat.

Gebruik geen verlengsnoer. Als het elektriciteits snoer te kort is, laat dan een erkende elektricien of monteur in de buurt van het apparaat een stopcontact installeren.

De wattage wordt bepaald door het hulpstuk dat de meeste stroom nodig heeft. Het is mogelijk dat andere aanbevolen hulpstukken aanzienlijk minder stroom nodig hebben.

Dit product wordt met een Y-stroomkabel geleverd. Mocht de kabel beschadigd zijn, dan moet deze vervangen worden door een erkende reparatiedienst om gevaren te voorkomen.


Het akoestische drukniveau die gemeten is conform de prEN 454-testcode is minder dan 70 dBA.

Een * in het modelnummer geeft aanvullende eigenschappen aan die de kleur van de betreffende machine aangeven, en technische cijfers voor het feitelijke model (bijv. 5KSM7990*).

Afgedankte elektrische apparatuur

Dit apparaat is voorzien van het merkteken volgens de Europese richtlijn 2002/96/EG inzake Afgedankte elektrische en elektronische apparaten (AEEA).

Door ervoor te zorgen dat dit product op de juiste manier als afval wordt verwerkt, helpt u mogelijk negatieve gevolgen voor het milieu en de volksgezondheid te voorkomen die zouden kunnen worden veroorzaakt door onjuiste verwerking van dit product als afval.

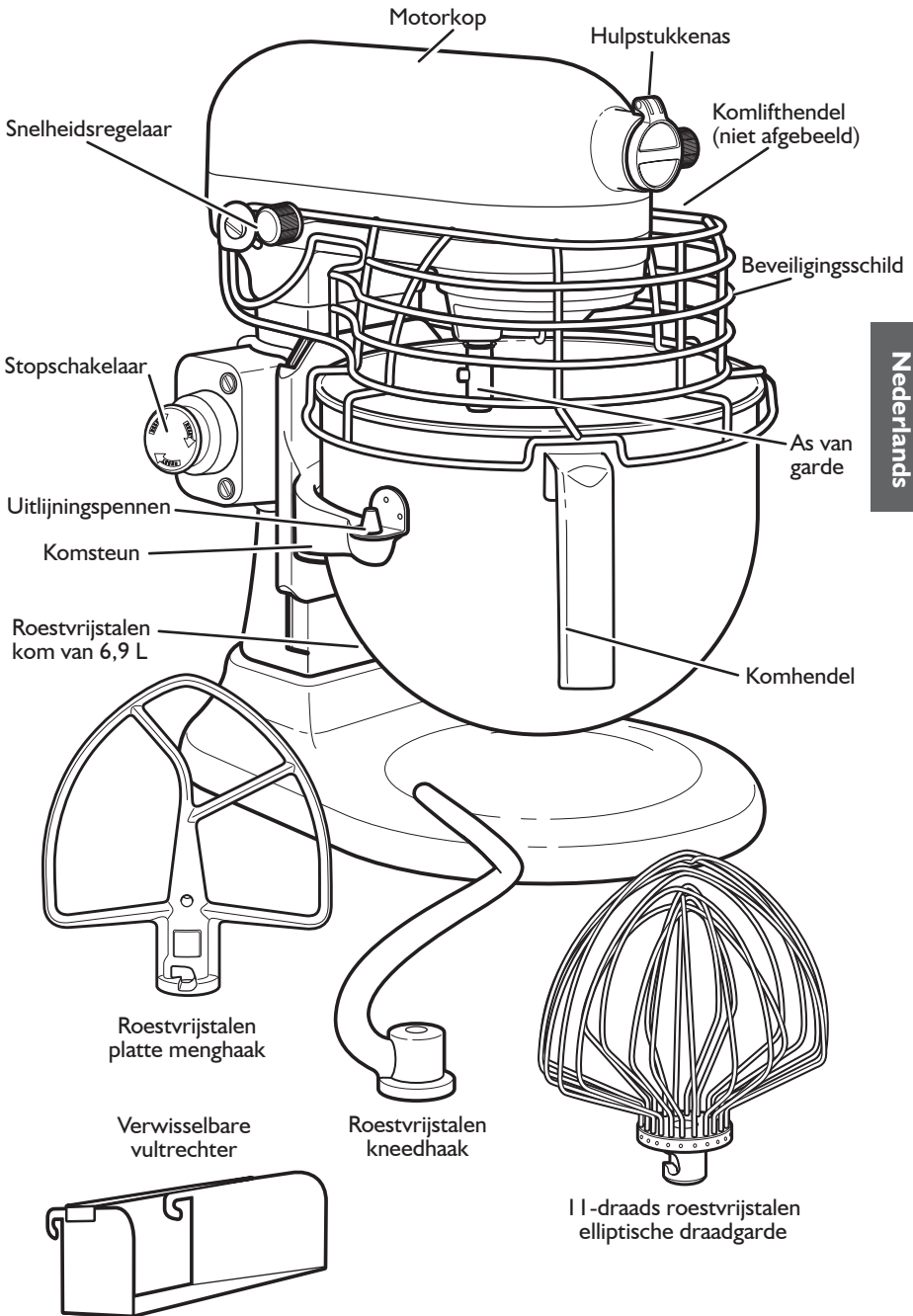
Het symbool  op het product of op de bijbehorende documentatie geeft aan dat dit product niet als huishoudelijk afval

mag worden behandeld. In plaats daarvan moet het worden afgegeven bij een verzamelpunt voor recycling van elektrische en elektronische apparaten.

Afdanking moet worden uitgevoerd in overeenstemming met de plaatselijke milieuvorschriften voor afvalverwerking.

Voor nadere informatie over de behandeling, terugwinning en recycling van dit product wordt u verzocht contact op te nemen met de gemeentelijke dienst in uw woonplaats, de afvalophalendienst of de winkel waar u het product hebt aangeschaft.

ONDERDELEN EN KENMERKEN



Nederlands

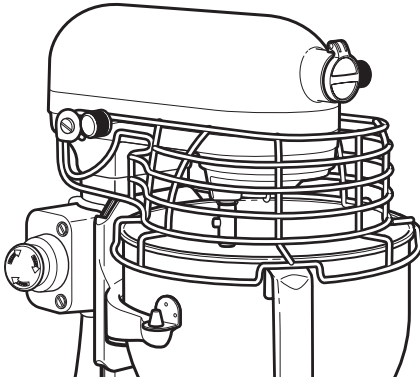
MIXER/KEUKENROBOT INSTELLEN

Mixer/keukenrobot in elkaar zetten

Bevestigen van de kom

1. Draai de snelheidsregeling op "0" (UIT).
2. Trek de stekker van de mixer/keukenrobot uit het stopcontact of schakel de stroom uit.
3. Klap het beveiligingsschild omhoog.
4. Zet de komlifthendel omlaag.
5. Zet de komsteunen over de uitlijningspennen.
6. Duw op de achterkant van de kom totdat de pen in de veervergrendeling vastklikt.

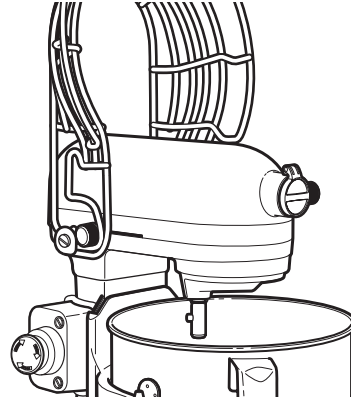
OPMERKING: Als de kom niet goed op zijn plaats wordt vastgeklikt, is deze instabiel en wiebelt hij tijdens het gebruik.



7. Klap het beveiligingsschild omlaag.
8. Breng de kom vóór het mixen omhoog.

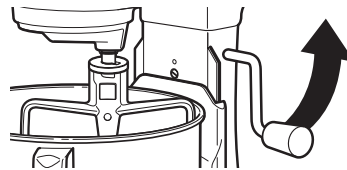
Verwijderen van de kom

1. Draai de snelheidsregeling op "0" (UIT).
2. Trek de stekker van de mixer/keukenrobot uit het stopcontact of schakel de stroom uit.
3. Klap het beveiligingsschild omhoog.



4. Zet de komlifthendel omlaag.
5. Verwijder de platte menghaak, de draadgarde of de kneedhaak.
6. Pak de hendel van de kom vast en til de kom recht omhoog van de uitlijningspennen af.

De kom omhoog brengen



1. Draai de hendel tegen de klok in totdat deze recht naar boven wijst.
2. De kom moet voor het mixen altijd omhoog worden gebracht en vergrendeld.

MIXER/KEUKENROBOT INSTELLEN

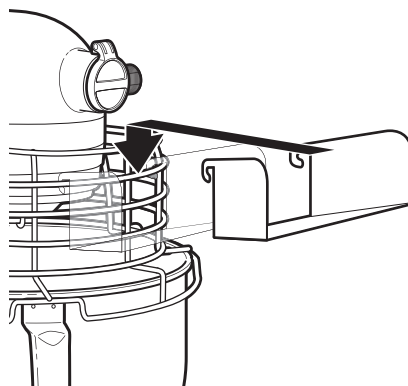
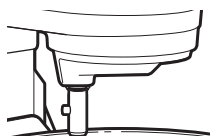
PLAATSING: de mixer/keukenrobot moet worden geplaatst op een horizontaal, stabiel oppervlak, zoals een aanrechtblad of keukentafel.

De kom laten zakken

1. Draai de hendel terug en omlaag.

Bevestigen van de platte menghaak, de draadgarde of de kneedhaak

1. Draai de snelheidsregeling op "0" (UIT).
2. Trek de stekker van de mixer/keukenrobot uit het stopcontact of schakel de stroom uit.
3. Klap het beveiligingsschild omhoog.
4. Schuif de menghaak op de as van de garde en duw hem daarbij zo ver mogelijk naar boven.
5. Draai de menghaak naar rechts en haak deze over de pen op de as.



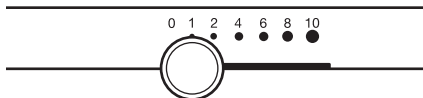
Verwisselbare vultrechter

De verwisselbare vultrechter kan gemakkelijk worden bevestigd aan de voorkant van de beveiliging, zoals hierboven afgebeeld. Het is een handig hulpmiddel voor het toevoegen van ingrediënten.

Verwijderen van de platte menghaak, de draadgarde of de kneedhaak

1. Draai de snelheidsregeling op "0" (UIT).
2. Trek de stekker van de mixer/keukenrobot uit het stopcontact of schakel de stroom uit.
3. Klap het beveiligingsschild omhoog.
4. Duw de menghaak zo ver mogelijk naar boven en draai naar links.
5. Trek de platte menghaak van de as.

Snelheidsregelaar



Het 'Soft Start'-mechanisme voorkomt rondspatten door de mixer langzaam te starten voordat de snelheid wordt verhoogd tot de ingestelde waarde. Als u de kans op spatten verder wilt verkleinen, begin het mixen dan altijd op stand 1 en verhoog de snelheid geleidelijk naar behoefte. Zie "Richtlijnen voor de snelheidsinstelling".

Auto-reset motorbeveiliging

Als de mixer/keukenrobot stopt vanwege overbelasting, schuift u dan de snelheidsregelaar in de stand "0" (UIT) en haal de stekker uit het stopcontact. Na enkele minuten wordt de mixer/keukenrobot automatisch gereset. Steek de stekker weer in het stopcontact, schuif de snelheidsregelaar in de gewenste stand en ga door met mixen. Als de mixer/keukenrobot niet opnieuw start, laat de stekker dan langere tijd uit het stopcontact en laat het apparaat afkoelen. Steek de stekker vervolgens weer in het stopcontact en start de mixer/keukenrobot. Als de mixer/keukenrobot nog steeds niet start, lees dan "Wanneer u service nodig hebt".

Stopschakelaar

Als u de mixer/keukenrobot tijdens het werken onmiddellijk moet stoppen, druk dan op de stopschakelaar. Als u weer wilt doorgaan, zet u de snelheidsregelaar op de stand "0" (UIT) en trekt u de stopschakelaar naar buiten. De mixer/keukenrobot is weer klaar voor normaal gebruik.

MIXER/KEUKENROBOT INSTELLEN

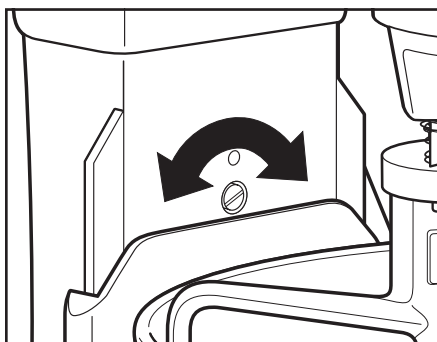
Speling tussen platte menghaak en kom instellen

Uw mixer/keukenrobot is in de fabriek zodanig afgesteld, dat de platte menghaak de bodem van de kom net niet raakt. Indien de platte menghaak echter om een of andere reden de bodem van de kom wel raakt of zich te ver van de bodem bevindt, kan de speling eenvoudig worden gecorrigeerd.

1. Draai de snelheidsregeling op "0" (UIT).
2. Trek de stekker van de mixer/keukenrobot uit het stopcontact of schakel de stroom uit.
3. Klap het beveiligingsschild omhoog.
4. Zet de kom in de laagste stand.
5. Draai de hoogteafstellingschroef iets tegen de klok in (naar links) om de platte menghaak omhoog te brengen, of met de klok mee (naar rechts) om de platte menghaak te laten zakken.
6. Stel de platte menghaak zodanig in dat deze de bodem van de kom net niet raakt. Als u de schroef te ver draait kan het gebeuren dat de komlifthendel niet op zijn plaats vergrendelt.

OPMERKING: Als de platte menghaak goed is afgesteld, zal deze de bodem of de zijkant van de kom niet raken. Als de platte menghaak of de roestvrijstalen garde echter te dicht bij de kom is afgesteld en de bodem wel raakt, kan de toplaag van de menghaak (bij gecoate menghaken) afslijten of kunnen de draden van de roestvrijstalen garde slijten.

Onder bepaalde omstandigheden kan het schrappen van de zijkant van de kom nodig zijn, ongeacht de afstelling van de menghaak. Het schrappen van de kom moet gestopt worden, anders kan de mixer/keukenrobot beschadigd raken.



MIXER/KEUKENROBOT GEBRUIKEN

KitchenAid-accessoires/toebehoren gebruiken

Platte menghaak voor normale tot zware mengsels (Aanbevolen bedieningstijd is 1-10 minuten, afhankelijk van het recept):

cakes	biscuits
suikergoed	zoete broodjes
snoepjes	gehaktbrood
koekjes	aardappelpuree
taartdeeg	

Draadgarde voor mengsels die luchtig moeten worden gemaakt (Aanbevolen bedieningstijd is 1-30 minuten, afhankelijk van het recept):

eieren	gekookt suikerglazuur
eiwit	biscuitdeeg
slagroom	mayonaise

Kneedhaak voor het mixen en kneden van gistdeeg (Aanbevolen bedieningstijd is 1-10 minuten, afhankelijk van het recept):

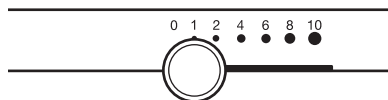
68	broden	koffiebroodjes
	broodjes	bolletjes

MIXER/KEUKENROBOT GEBRUIKEN

Richtlijnen voor de snelheidsinstelling - mixers/keukenrobots met 10 snelheden

Bij alle snelheden wordt gebruik gemaakt van het Soft Start-mechanisme. Dit zorgt ervoor dat de multifunctionele keukenrobot op een lagere snelheid start en vervolgens aanzienlijk versnelt voor een optimale prestatie.

Hiermee wordt voorkomen dat ingrediënten rondspatten of meel opstuift bij het opstarten.



Stand	Gebruikt voor	Accessoires/toebehoren	Beschrijving
1	Roeren		Om langzaam te roeren, te mengen, te pureren en alle mixmethoden te beginnen. Gebruik deze stand om meel en droge ingrediënten toe te voegen aan het beslag, en om vloeistoffen toe te voegen aan droge ingrediënten. Gebruik stand 1 niet om gistdeeg te mengen of te kneden.
2	Langzaam mengen, kneden		Om langzaam te mengen, te pureren en sneller te roeren. Gebruik deze stand om gistdeeg, zwaar beslag en suikergoed te mengen en te kneden, om aardappelen of andere groenten te pureren, om bakvet in het meel te versnijden, om dun of spattend beslag te mengen.
4	Mengen, kloppen		Om halfzwaar beslag zoals dat van koekjes te mengen. Gebruik deze snelheid om suiker en bakvet te mengen, en om suiker toe te voegen aan eiwitten voor schuimgebakjes. Middelmatige snelheid voor cakemengsels.
6	Kloppen, romig roeren		Voor matig snel kloppen (schuimen) of stijfslaan. Gebruik deze stand om cakes, donuts en ander beslag te mengen. Hoge snelheid voor cakemengsels.
8-10	Snel kloppen, stijfslaan, snel stijfslaan		Om room, eiwitten en gekookt suikerglazuur stijf te slaan. Om kleine hoeveelheden room of eiwitten stijf te slaan, of aardappelpuree op het einde stijf te slaan.

Nederlands

OPMERKING: Gebruik stand 2 om gistdeeg te mixen of te kneden. Bij gebruik van een andere stand is er meer kans op storingen in de mixer/keukenrobot. Met de PowerKnead kneedhaak kunt u het meeste gistdeeg binnen 4 minuten kneden.

Overzicht van hoeveelheden

	Kom van 6,9 L
Meel	2 tot 2,2 kg
Brood	8 broden van 450 g
Koekjes/biscuit	160 stuks
Aardappelpuree	3,6 kg

ONDERHOUD EN REINIGING

Roestvrijstalen kom, platte menghaak, roestvrijstalen garde, kneedhaak en vultrechter kunnen in de vaatwasser. Gebruik geen schoonmaakmiddelen met een lagere pH-waarde dan 5. Maak ze anders grondig schoon in heet water met zeepsop en spoel ze zorgvuldig af, vóór ze af te drogen. Bewaar geen standaard toebehoren op de as. De mixer/keukenrobot mag niet worden schoongemaakt met een waterstraal of een sproeislang.

Nederlands

WAARSCHUWING

GEVAAR VOOR ELEKTRISCHE SCHOKKEN

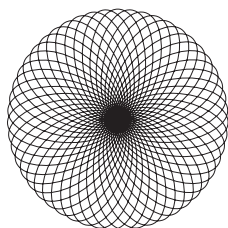
VOORKOM ELEKTRISCHE SCHOKKEN EN HAAL ALTIJD DE STEKKER VAN DE KEUKENROBOT UIT HET STOPCONTACT VOORDAT U HET APPARAAT GAAT SCHOONMAKEN.

Veeg de keukenrobot af met een vochtige doek. **DOMPEL HET APPARAAT NIET IN WATER.** Veeg de as van de garde regelmatig schoon en verwijder daarbij alle mogelijke resten die zich daar hebben opgehoopt.

TIPS VOOR PERFECTE RESULTATEN

Planetair mixen

Wanneer het apparaat in werking is, beweegt de platte menghaak overal in de stilstaande kom, waarbij hij op hetzelfde ogenblik in de tegengestelde richting rond zijn eigen as draait. Het diagram toont duidelijk aan dat de platte menghaak geen plek in de kom overslaat.



De 5KSM7990 heeft een vermogen van 500 watt en werkt met een gelijkstroom-motor. Dit is een geluidsarme en zeer efficiënte motor, gecombineerd met een direct aangedreven transmissiesysteem: hierdoor is op piekvermogen (uitgangsvermogen motor) 1,3 pk beschikbaar, voor snelle en uitstekende mixresultaten, zelfs bij zwaar beslag.

Mixtijd

Uw KitchenAid mixer/keukenrobot mengt sneller en grondiger dan de meeste andere elektrische mixers. Om te vermijden dat de mengsels overmatig geklopt worden, moet de mixtijd voor de meeste recepten aangepast worden.

Om de ideale mixtijd te bepalen, houdt u het beslag of deeg in de gaten en mengt u het slechts zolang tot het eruitziet zoals het recept aangeeft, zoals bijvoorbeeld "glad en romig". Kies de beste mixsnelheid aan de hand van het gedeelte "Richtlijnen voor de snelheidsinstelling".

Gebruik van de mixer

! WAARSCHUWING

GEVAAR VOOR LICHAAMELIJK LETSEL

Om lichamelijk letsel en schade aan de menghaak te voorkomen, moet u de kom niet schrapen terwijl de keukenrobot werkt; schakel de keukenrobot eerst uit. Mocht de schraper of een ander voorwerp in de kom vallen, zet dan de motor uit voordat u het voorwerp verwijdert.

De kom en de platte menghaak zijn ontworpen om grondig te mixen, zonder regelmatig te moeten schrapen. Het is meestal voldoende om tijdens het mixen de kom één of twee keer te schrapen.

Het apparaat kan tijdens het gebruik warm worden. Bij een zware belasting en een langere mixtijd wordt de bovenkant mogelijk te warm om aan te raken. Dat is normaal.

Mixtips

Ingrediënten toevoegen

Voeg de ingrediënten altijd zo dicht mogelijk tegen de zijkant van de kom toe, niet rechtstreeks in de bewegende menghaak. De vultrechter kan worden gebruikt om het toevoegen van ingrediënten te vereenvoudigen. Gebruik stand 1 tot de ingrediënten goed gemengd zijn. Voer daarna de snelheid geleidelijk op tot de gewenste snelheid is bereikt.

Noten, rozijnen of gekonfijt fruit toevoegen

Volg de betreffende recepten voor richtlijnen voor het toevoegen van deze ingrediënten. Vaste bestanddelen moeten tijdens de laatste seconden van het mixen op stand 1 vermengd worden. Het beslag moet dik genoeg zijn om te voorkomen dat het fruit of de noten tijdens het bakken naar de bodem zakken. Kleverig fruit moet met meel bestrooid worden zodat het beter verspreid in het beslag.

Vloeibare mengsels

Mengsels met grote hoeveelheden vloeibare ingrediënten moeten op lagere snelheden gemixt worden om spatten te voorkomen. Verhoog de snelheid pas wanneer het mengsel dikker geworden is.

OPMERKING: Als op de bodem van de kom ingrediënten niet grondig gemengd zijn, betekent dit dat de menghaak zich te ver van de bodem van de kom bevindt. Zie het gedeelte "Mixer/keukenrobot instellen".

Wanneer u service nodig hebt

! WAARSCHUWING



Gevaar voor elektrische schokken
Trek de stekker uit het stopcontact, voordat u begint te herstellen.
Doet u dat niet, dan kan dat de dood of elektrische schokken tot gevolg hebben.

Nederlands

Lees de tekst hieronder voordat u de dienst na-verkoop/after sales service benadert.

1. De mixer/keukenrobot kan tijdens het gebruik warm worden. Het is mogelijk dat u bij een zware belasting en een langere mixtijd de bovenkant van het apparaat niet rustig kunt aanraken. Dat is normaal.
2. De mixer/keukenrobot kan eventueel een doordringende geur afgeven,

vooral wanneer hij nieuw is. Dat is gebruikelijk bij elektromotoren.

3. Als de platte menghaak de kom raakt, zet de mixer/keukenrobot dan uit. Zie het gedeelte "Mixer/keukenrobot instellen".

Als uw mixer/keukenrobot slecht of helemaal niet werkt, controleer dan het volgende:

- Zit de stekker van de mixer/keukenrobot in het stopcontact?
- Is de zekering in de voeding naar de mixer/keukenrobot in orde? Hebt u een zekeringenkast, zorg dan dat er voeding is.
- Is de stopschakelaar uitgetrokken?
- Zet de mixer/keukenrobot 10-15 seconden uit en vervolgens weer aan. Als de mixer/keukenrobot nog steeds niet start, laat hem dan 30 minuten afkoelen voordat u hem opnieuw aanzet.
- Als het probleem niet te wijten is aan één van de bovenstaande zaken, raadpleeg dan de rubriek "Dienst na-verkoop/after sales service".

Garantie voor KitchenAid professionele mixer/keukenrobot met vaste kop

Duur van de garantie:	Wat KitchenAid wel vergoedt:	Wat KitchenAid niet vergoedt:
Voor de professionele mixer/keukenrobot 5KSM7990: één jaar volledige garantie vanaf de aankoopdatum.	Het vervangen van onderdelen en arbeidsloon voor het repareren van defecten ten gevolge van materiaal- of constructiefouten. Deze herstellingen moeten uitgevoerd worden door een erkende dienst na-verkoop/after sales service van KitchenAid.	Schade als gevolg van een ongeluk, wijzigingen, verkeerd gebruik, misbruik of schade als gevolg van een installatie/werking die niet in overeenstemming is met lokale elektrische voorschriften.

KITCHENAID IS NIET AANSPRAKELIJK VOOR INDIRECTE SCHADE.

Dienst na-verkoop/after sales service

Alle reparaties moeten in het land van aankoop worden uitgevoerd door een geautoriseerde dienst na-verkoop van KitchenAid. Neem contact op met de dealer bij wie u het apparaat gekocht hebt om de naam van de dichtstbijzijnde geautoriseerde dienst na-verkoop van KitchenAid te verkrijgen.

In België & Nederland:

Gebroeders Nijs
Mechelsesteenweg 56
B-2840 RUMST
Tel: +32 15 30 67 60

Klantencontact

In Nederland:

Gratis oproepnr.: 0800 020015 |
www.KitchenAid.nl

In België:

Gratis oproepnr.: 0800 93285
www.KitchenAid.be

Adres België & Nederland:

KitchenAid Europa, Inc.
Postbus 19
B-2018 ANTWERPEN II

Nederlands

www.KitchenAid.eu



Technology Center
303 Upton Drive, St. Joseph, MI 49085-1175

**EU – DECLARATION OF CONFORMITY
CE-DECLARATION DE CONFORMITE**

We: WHIRLPOOL CORPORATION, 303 UPTON DR., ST. JOSEPH, MI 49085, USA
Representing: WHIRLPOOL EUROPE S.r.l I-21025 COMERIO

Declare under sole responsibility that the product:

KitchenAid™ Stand Mixers: Model 5KSM79XX+

Where:

XX = up to 2 alphanumeric characters, which represents the features, distributor code and/or color

+ = May or may not be followed by five or more digit suffix codes to indicate change in aesthetics

to which this declaration relates, is in conformity with the following standard(s) or other normative document(s):

- IEC 60335-1: Ed.5: 2010**
- IEC 60335-2-64: Edition 3.1 2008-03**
- EN 55014-1:2006 + A1:2009**
- EN 55014-2:1997 + A1:2001 + A2:2008**
- EN 61000-3-2:2006 + A1:2009 + A2:2009**
- EN 61000-3-3:2008**
- EN 62233:2008**

The model listed conforms to the provisions of Directive (s):

- | | |
|---------------------|---|
| 2004/108/EC | ELECTROMAGNETIC COMPATABILITY DIRECTIVE |
| 2006/95/EC | LOW VOLTAGE DIRECTIVE |
| 2006/42/EC | MACHINERY DIRECTIVE |
| 10/2011/EU | PLASTIC MATERIALS INTENDED TO CONTACT FOOD |
| 1935/2004/EC | MATERIALS INTENDED TO CONTACT FOOD |

Place and Date:
Saint Joseph, MI, USA
30 January, 2012

Represented by:

Mark Dahmer
Engineering Director
KitchenAid Portable Appliances Division



FOR THE WAY IT'S MADE.

© 2012. Alle rechten voorbehouden.
Specificaties kunnen zonder voorafgaandelijke kennisgeving gewijzigd worden.



KitchenAid

6.9 L PROFESSIONAL BOWL-LIFT STAND MIXER

Original Instructions

KÜCHENMASCHINE MIT SCHÜSSELHEBER UND 6,9 L SCHÜSSEL FÜR DEN GEWERBLICHEN EINSATZ

Originalanleitungen

ROBOT SUR SOCLE PROFESSIONNEL À BOL RELEVABLE DE 6,9 L

Instructions d'origine

ROBOT DA CUCINA PROFESSIONALE CON SOLLEVAMENTO CIOTOLA DA 6,9 L

Istruzioni originali

6,9 L PROFESSIONELE MIXER/KEUKENROBOT MET IN DE HOOGTE VERSTELBARE KOM

Originële instructies

BATIDORA PROFESIONAL DE PIE CON BOL ELEVABLE DE 6,9 L

Instrucciones originales

BATEDEIRA PROFISSIONAL COM SUPORTE PARA TAÇA DE 6,9 L

Intruções originais

ΕΠΑΓΓΕΛΜΑΤΙΚΟ ΜΙΞΕΡ ΜΕ ΒΑΣΗ ΚΑΙ ΥΠΕΡΥΨΩΜΕΝΟ ΜΠΟΛ 6,9 L

Αρχικές οδηγίες

6,9 L PROFESSIONELL KÖKSMASKIN MED SKÅL PÅ HÄVARM

Originalinstruktioner

6,9 L BOLLELØFTENDE KJØKKENMASKIN

Originale instruksjoner

6,9 L AMMATIKÄYTTÖÖN TARKOITETTU YLEISKONE

Alkuperäiset ohjeet

6,9 L PROFESSIONEL KØKKENMASKINE MED SKÅLLØFT

Originale Instruktioner

6,9 L BORDHRÆRIVÉL MED LYFTANLEGRI SKÁL FYRIR FAGFÓLK

Upphaflegar leiðbeiningar

ПРОФЕССИОНАЛЬНЫЙ МИКСЕР СО СЪЕМНОЙ ЧАШЕЙ 6,9 л

Оригинальные инструкции

PROFESJONALNY MIKSER STOJĄCY Z PODNOSZONĄ DZIEŻĄ 6,9 L

Originalna instrukcja

PROFESIONÁLNÍ KUCHYŇSKÝ ROBOT SE ZVEDACÍ MÍSOU O OBJEMU 6.9 L

Originální pokyny

PROFESIONÁLNY KUCHYŇSKÝ ROBOT SO ZDVÍHACOU MISOU O OBJEME 6,9 L

Originálne pokyny

MIXER PROFESIONAL CU SOCLU ŞI BOL DE 6,9 L

Instrucţiuni originale

ПРОФЕССИОНАЛЕН КУХНЕНСКИ РОБОТ С ПОВДИГАЩА СЕ КУПА С ВМЕСТИМОСТ 6,9 L

Оригинални инструкции

Model 5KSM7990*

Índice de materias

SEGURIDAD DE LA BATIDORA DE PIE	
Medidas de seguridad importantes	78
Requisitos eléctricos.....	79
Tratamiento de residuos eléctricos	79
COMPONENTES Y FUNCIONES	80
MONTAJE DE LA BATIDORA DE PIE	
Montaje de la batidora de pie	81
Ajuste de la distancia entre el batidor y el bol.....	83
UTILIZACIÓN DE SU BATIDORA	
Utilización de los accesorios KitchenAid.....	83
Guía de control de la velocidad - batidoras de 10 velocidades	84
CUIDADO Y LIMPIEZA	85
CONSEJOS PARA OBTENER EXCELENTES RESULTADOS	
Mecanismo de batido planetario	86
Tiempo de batido.....	86
Uso de la batidora.....	86
Consejos para mezclar	86
SERVICIO Y GARANTÍA	
Cuando necesite servicio	87
Garantía de la batidora de pie con bol elevable de uso profesional KitchenAid	87
Planificación del servicio.....	88
Atención al cliente.....	88

SEGURIDAD DE LA BATIDORA DE PIE

Su seguridad y la seguridad de los demás es muy importante.

En este manual y en el mismo aparato encontrará muchos mensajes de seguridad importantes. Lea y obedezca siempre todos los mensajes de seguridad.



Este es el símbolo de alerta de seguridad.

Este símbolo le avisa de los peligros potenciales que pueden matarle o herirle a usted y a los demás.

Todos los mensajes de seguridad irán acompañados del símbolo de alerta y la palabra "PELIGRO" o "ADVERTENCIA". Estas palabras significan:

 **PELIGRO**

Puede fallecer o herirse de gravedad si no sigue las instrucciones de inmediato.

 **ADVERTENCIA**

Puede fallecer o herirse de gravedad si no sigue las instrucciones.

Todos los mensajes de seguridad le indicarán cuáles son los peligros potenciales, cómo reducir la probabilidad de lesiones y qué puede pasar si no sigue las instrucciones.

Español

Medidas de seguridad importantes

Cuando se utilizan aparatos eléctricos, se deben tomar en todo momento una serie de precauciones de seguridad básicas, entre las que se incluyen las siguientes:

1. Lea todas las instrucciones.
2. Para protegerse contra el riesgo de descargas eléctricas, no sumerja la batidora de pie en agua o en cualquier otro líquido.
3. No deje que los niños utilicen el aparato sin supervisión y preste especial atención cuando estén cerca durante su utilización.
4. Desenchufe la batidora de pie cuando no se esté utilizando, antes de fijar o quitar piezas y antes de limpiarla.
5. Evite el contacto con las piezas móviles. Mantenga alejados del batidor las manos, el pelo, la ropa, así como espátulas o cualquier otro utensilio durante su utilización, para reducir el riesgo de daños a las personas y/o a la batidora de pie.
6. No utilice la batidora de pie con el cable o el enchufe en mal estado, ni en caso de que la batidora de pie no funcione correctamente o se le haya caído o presente algún desperfecto.
7. El uso de accesorios no recomendados o no vendidos por KitchenAid puede provocar incendios, descargas eléctricas o heridas.
8. No utilice la batidora de pie en exteriores.
9. No deje que el cable cuelgue de una mesa o encimera.
10. Retire el batidor plano, el batidor de varillas o el gancho amasador de la batidora de pie antes de lavarlos.
11. Este aparato no está pensado para ser utilizado por personas (incluidos niños) con limitaciones físicas, sensoriales o mentales, o que carezcan de la experiencia y el conocimiento suficientes, a menos que lo hagan bajo la supervisión de las personas responsables de su seguridad o que hayan recibido de las mismas las instrucciones adecuadas para su uso.

**CONSERVE ESTAS INSTRUCCIONES
ESTE PRODUCTO ESTÁ DISEÑADO
PARA USO PROFESIONAL**

Requisitos eléctricos

⚠ ADVERTENCIA



Peligro de descarga eléctrica

Enchúfela en una salida con toma de tierra.

No extraiga la clavija de conexión a tierra.

No utilice un adaptador.

No utilice un cable alargador.

El incumplimiento de estas instrucciones podría provocar la muerte, un incendio o una descarga eléctrica.

Voltaje: 220-240 CA.

Hercios: 50/60 Hz

Potencia: 325 W. Tiempo recomendado de funcionamiento: 1-30 minutos, con un ciclo de trabajo de 10 min. ENCENDIDO/ 15 min. APAGADO.

NOTA: La potencia de salida de su batidora de pie está impresa en la placa de serie, situada debajo de la batidora.

No utilice un cable alargador. Si el cable de alimentación es demasiado corto, llame a un electricista o a un técnico cualificado para que instale una toma de corriente cerca del aparato.

El vatiaje viene determinado por el accesorio que requiere mayor potencia. Otros accesorios recomendados pueden requerir una potencia mucho menor.

Este producto se suministra con un cable de alimentación de tipo Y. Si el cable de alimentación sufre algún daño, debe ser sustituido por el fabricante o su representante de servicio para evitar riesgos.


El nivel de presión acústica medido de acuerdo con la norma de ensayo prEN 454 es inferior a 70 dBA.

Un * en el número del modelo significa características adicionales que definen el color de la máquina y propiedades técnicas del modelo en cuestión (ej: 5KSM7990*).

Tratamiento de residuos eléctricos

Este aparato lleva el marcado CE en conformidad con la Directiva 2002/96/EC del Parlamento Europeo y del Consejo sobre residuos de aparatos eléctricos y electrónicos (RAEE).

Al asegurarse de deshacerse correctamente de este producto, ayudará a evitar posibles consecuencias negativas para el medioambiente y la salud de los seres humanos, lo cual podría producirse por el desecho inadecuado de este producto.

El símbolo  en el producto o en los documentos que se incluyen con el producto, indica que no se puede tratar

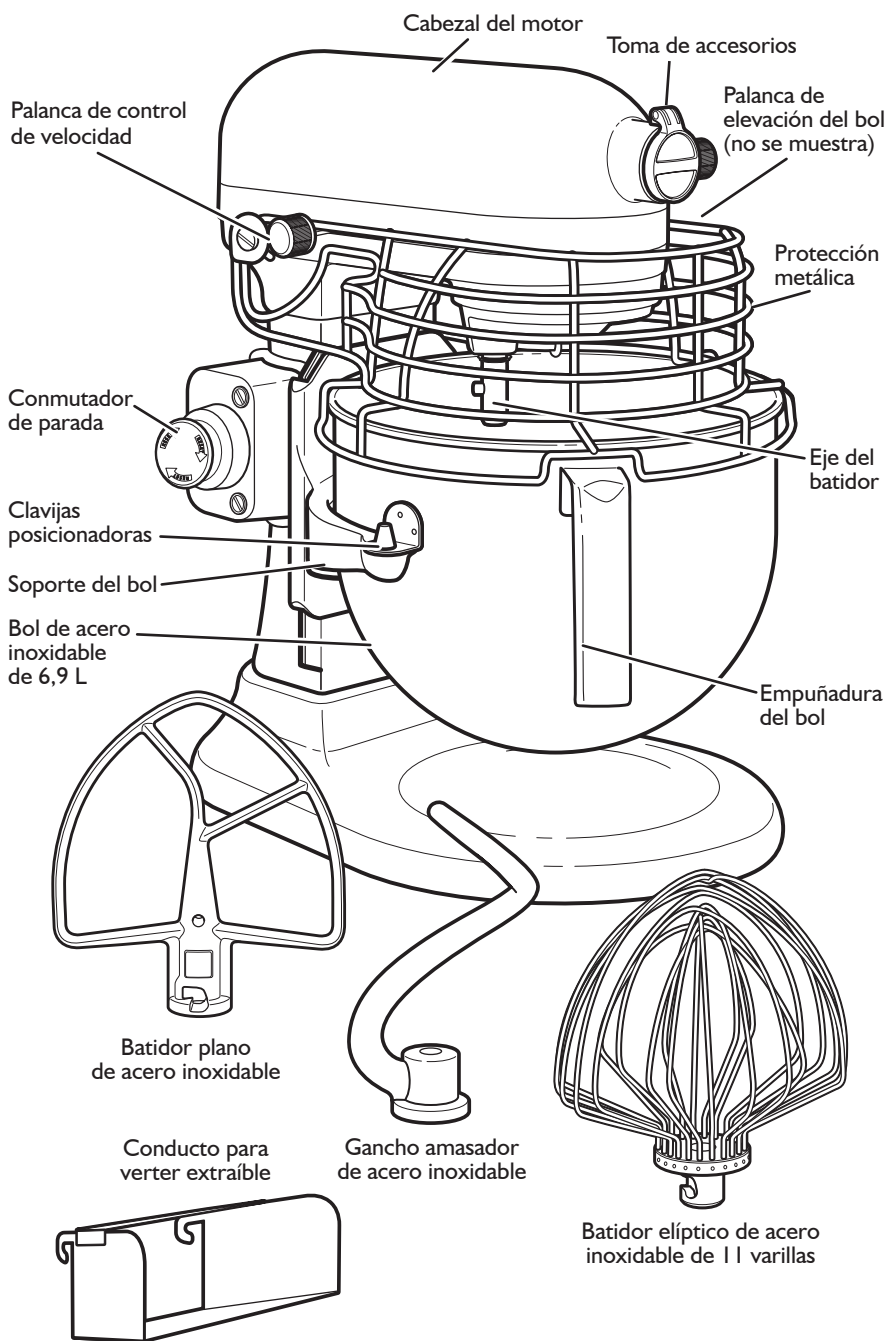
como residuo doméstico. Es necesario entregarlo en un punto de recogida para reciclar aparatos eléctricos y electrónicos.

Deséchelo con arreglo a las normas medioambientales para eliminación de residuos.

Para obtener información más detallada sobre el tratamiento, recuperación y reciclaje de este producto, póngase en contacto con el ayuntamiento, con el servicio de eliminación de residuos urbanos o el lugar donde lo adquirió.

COMPONENTES Y FUNCIONES

Español



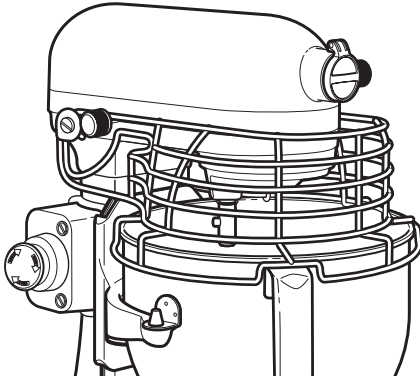
MONTAJE DE LA BATIDORA DE PIE

Montaje de la batidora de pie

Para montar el bol

1. Asegúrese de que la batidora esté apagada (control de velocidad en posición "0").
2. Desenchufe la batidora de pie o desconecte la corriente.
3. Eleve la protección metálica.
4. Sitúe la palanca de elevación del bol hacia abajo.
5. Sitúe los soportes del bol sobre las clavijas posicionadoras.
6. Presione hacia abajo de la parte posterior del bol hasta que las clavijas de bol encajen en el cerrojo de resorte.

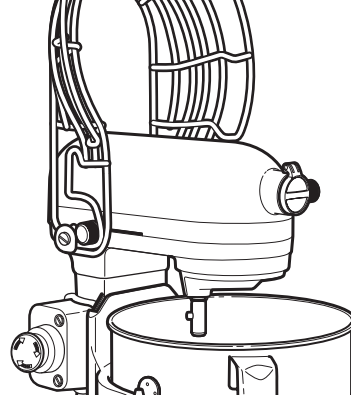
NOTA: Si el bol no está bien encajado, durante el uso se mostrará inestable y cimbreará.



7. Baje la protección metálica.
8. Levante el bol antes de empezar a batir.

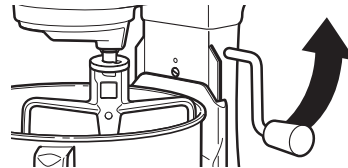
Para retirar el bol

1. Asegúrese de que la batidora esté apagada (control de velocidad en posición "0").
2. Desenchufe la batidora de pie o desconecte la corriente.
3. Eleve la protección metálica.



4. Sitúe la palanca de elevación del bol hacia abajo.
5. Retire el batidor plano, el batidor de varillas o el gancho amasador.
6. Agarre la empuñadura del bol y levántelo verticalmente hasta sacarlo de las clavijas posicionadoras.

Para elevar el bol



1. Gire la palanca en sentido contrario a las agujas del reloj hacia arriba.
2. El bol debe estar elevado y en posición de bloqueo en todo momento durante el batido.

Para bajar el bol

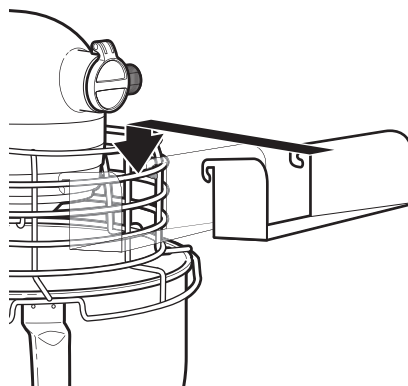
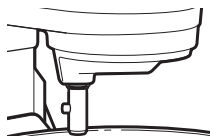
1. Gire la palanca en sentido contrario y hacia abajo.

MONTAJE DE LA BATIDORA DE PIE

INSTALACIÓN: La batidora de pie debe instalarse en una superficie plana y estable, como una encimera o una mesa de trabajo.

Para montar el batidor plano, el batidor de varillas o el gancho amasador

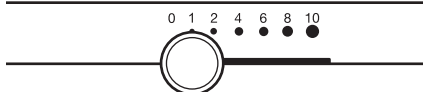
1. Asegúrese de que la batidora esté apagada (control de velocidad en posición "0").
2. Desenchufe la batidora de pie o desconecte la corriente.
3. Eleve la protección metálica.
4. Deslice el batidor sobre su eje y presione hacia arriba lo más posible.
5. Rote el batidor hacia la derecha, enganchándolo sobre el pasador del eje.



Para retirar el batidor plano, el batidor de varillas o el gancho amasador

1. Asegúrese de que la batidora esté apagada (control de velocidad en posición "0").
2. Desenchufe la batidora de pie o desconecte la corriente.
3. Eleve la protección metálica.
4. Presione el batidor hacia arriba tanto como sea posible y gírelo hacia la izquierda.
5. Tire del batidor en dirección contraria al eje del mismo.

Palanca de control de velocidad



La función Soft Start minimiza las salpicaduras, haciendo que la batidora comience a funcionar lentamente antes de alcanzar la velocidad seleccionada. Para reducir todavía más posibles salpicaduras, comience siempre a batir a velocidad 1 y aumente la velocidad gradualmente según sea necesario. Véase la sección "Guía de control de la velocidad".

Conducto para verter extraíble

Como se indica en la ilustración, el conducto para verter extraíble se acopla fácilmente en la parte frontal de la protección metálica. Proporciona una forma práctica de agregar ingredientes al bol de la batidora de pie.

Protección del motor con reinicio automático

Si la batidora de pie se detiene debido a una sobrecarga, deslice la palanca de control de velocidad a la posición "0" (apagada) y desenchufe el cable de alimentación. Transcurridos unos minutos, la batidora de pie se reiniciará automáticamente. Vuelva a enchufar la batidora de pie y coloque la palanca de control en la velocidad deseada para continuar batiendo. Si la batidora de pie no se reinicia, desenchúfela durante un período de tiempo más largo para permitir que se enfríe. A continuación, vuelva a enchufarla. Si la batidora de pie sigue sin reiniciarse, véase la sección "Cuando necesite servicio".

Conmutador de parada

Si necesita detener la batidora de pie de forma inmediata durante el uso, presione el conmutador de parada. Para reanudar el funcionamiento, coloque la palanca de control de velocidad en la posición "0" (apagada) y vuelva a presionar el conmutador de parada. La batidora de pie estará lista para volver a utilizarse normalmente.

MONTAJE DE LA BATIDORA DE PIE

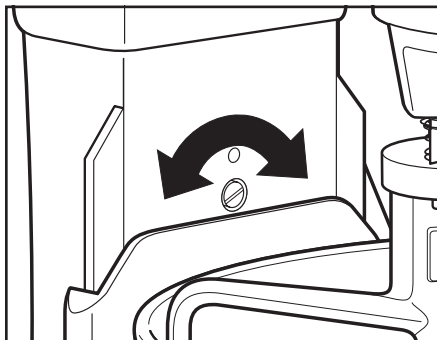
Ajuste de la distancia entre el batidor y el bol

La batidora de pie viene ajustada de fábrica, de manera que el batidor plano no llega del todo al fondo del bol. Si, por cualquier motivo, el batidor plano golpea el fondo del bol o está demasiado alejado del bol, puede corregir fácilmente la distancia.

1. Asegúrese de que la batidora esté apagada (control de velocidad en posición "0").
2. Desenchufe la batidora de pie o desconecte la corriente.
3. Eleve la protección metálica.
4. Baje el bol hasta la posición inferior.
5. Gire el tornillo de ajuste de la altura del batidor ligeramente en el sentido contrario al de las agujas del reloj (izquierda) para elevar el batidor plano o en el sentido de las agujas del reloj (derecha) para bajarlo.
6. Ajuste el batidor plano de modo que sobresalga ligeramente de la superficie del bol. Si aprieta demasiado el tornillo, puede que la palanca de elevación del bol no quede ajustada.

NOTA: Si se ajusta de forma adecuada, el batidor plano no golpeará el fondo ni las paredes del bol. Si el batidor plano o el batidor de varillas están tan cerca que golpean el fondo del bol, puede que se desgasten el recubrimiento o las varillas del batidor.

Es posible que sea necesario raspar los laterales del bol en determinadas condiciones independientemente del ajuste del batidor. Para raspar el bol, es necesario detener la batidora; de lo contrario podría dañarse.



Español

UTILIZACIÓN DE SU BATIDORA

Utilización de los accesorios KitchenAid

Batidor plano para mezclas de normales a densas (El tiempo de batido recomendado es de entre 1 y 10 minutos, en función de la receta):

pasteles	panecillos
recubrimientos glaseados	panes rápidos
dulces	carne picada
galletas	puré de patatas
masa para pasteles	

Batidor de varillas para mezclas que necesitan aire incorporado (El tiempo de batido recomendado es de entre 1 y 30 minutos, en función de la receta):

huevos	merengues italianos
claras de huevo	bizcochos
nata para montar	mayonesa

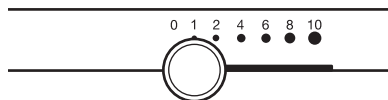
Gancho amasador para mezclar y amasar masas de levadura (El tiempo de batido recomendado es de entre 1 y 10 minutos, en función de la receta):

panes	pasteles de café
bollos	panecillos

UTILIZACIÓN DE SU BATIDORA

Guía de control de la velocidad - batidoras de 10 velocidades

Todas las velocidades están dotadas de la función Soft Start, en virtud de la cual la batidora de pie comienza a funcionar automáticamente a una velocidad reducida para evitar que los ingredientes salpiquen o "salgan por los aires" y, a continuación, se incrementa rápidamente hasta alcanzar la velocidad seleccionada para conseguir un rendimiento óptimo.



Español

Velocidad	Función	Accesorios	Descripción:
1	Remover		Para remover lentamente, combinar, hacer puré e iniciar cualquier proceso de batido. Utilicela para agregar harina e ingredientes secos a la mezcla, así como para añadir líquidos a ingredientes secos. No utilice la velocidad 1 para mezclar o amasar masas de levadura.
2	Mezclar a velocidad lenta, amasar		Para mezclar a velocidad lenta, hacer puré y remover a mayor velocidad. Utilicela para mezclar y amasar masas de levadura, mezclas densas y dulces, comenzar el puré de patatas u otras verduras, mezclar mantequilla y harina, batir mezclas finas o líquidas.
4	Mezclar, batir		Para batir mezclas semidensas, como las de las galletas. Utilicela para combinar azúcar y mantequilla, así como para agregar azúcar a las claras de huevo para la preparación de merengues. Velocidad media para masas de pastel.
6	Batir, hacer cremas		Para batir a una velocidad media alta (hacer cremas) o montar. Se emplea para finalizar la masa de pasteles, rosquillas u otras mezclas. Velocidad elevada para masas de pastel.
8-10	Batir a gran velocidad, montar, montar a gran velocidad		Para montar cremas, claras de huevo y merengues italianos. Para montar cantidades pequeñas de crema, claras de huevo o para acabar de montar el puré de patatas.

NOTA: Emplee la velocidad 2 para mezclar o amasar masas de levadura. La utilización de cualquier otra velocidad aumenta las posibilidades de que la batidora falle. El gancho amasador amasa de forma eficaz la mayoría de las masas de levadura en 4 minutos.

Tabla de capacidad

	Bol de 6,9 L
Harina	2/2,2 kg
Pan	8 panes de 450 g
Galletas / Bizcochos	160 unidades
Puré de patatas	3,6 kg

CUIDADO Y LIMPIEZA

El bol de acero inoxidable, el batidor plano, el batidor de varillas de acero inoxidable, el gancho amasador y el conducto para verter son aptos para el lavavajillas. No use productos de limpieza con un pH menor de 5. O bien, se pueden limpiar cuidadosamente en agua caliente con jabón y aclarar completamente antes de secarlos. No deje puestos los batidores en el eje. No limpie la batidora de pie con un chorro de agua ni con una manguera pulverizadora.

ADVERTENCIA

PELIGRO DE DESCARGA ELÉCTRICA
ASEGÚRESE DE DEENCHUFAR LA BATIDORA ANTES DE LIMPIARLA, PARA EVITAR POSIBLES DESCARGAS ELÉCTRICAS.

Limpie la batidora con un paño húmedo. **NO LA SUMERJA EN AGUA.** Limpie asiduamente con un paño el eje para el batidor, eliminando cualquier residuo que se pueda acumular.

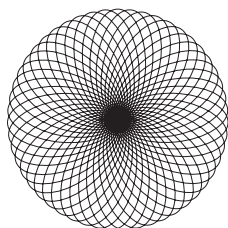
Español

CONSEJOS PARA OBTENER EXCELENTES RESULTADOS

Mecanismo de batido planetario

Cuando está en funcionamiento, el batidor plano se mueve en círculos por el bol, que permanece fijo, al mismo tiempo que gira en la dirección contraria sobre su propio eje.

El diagrama muestra la cobertura completa del bol realizada por la trayectoria del batidor.



El modelo 5KSM7990 tiene una potencia nominal de 500 vatios y utiliza un motor de corriente continua. Se trata de un motor silencioso y altamente eficiente, combinado con un sistema de transmisión directa: esto genera una potencia de 1,3 caballos a máxima potencia (potencia de salida del motor), lo que permite conseguir con rapidez mezclas extraordinarias, incluso con masa dura.

Tiempo de batido

Su batidora de pie KitchenAid mezclará más rápido y mejor que la mayoría de las batidoras eléctricas. Por consiguiente, en la mayoría de las recetas hay que ajustar el tiempo de batido indicado para evitar que se bata en exceso.

Para determinar el tiempo de batido ideal, observe la mezcla o la masa y bata tan solo hasta que consiga el aspecto deseado descrito en su receta, como por ejemplo "suave y cremoso". Para seleccionar las velocidades de batido adecuadas, consulte la sección "Guía de la velocidad".

Uso de la batidora

⚠ ADVERTENCIA

PELIGRO DE DAÑOS PERSONALES

Para evitar daños personales y a la batidora, no intente raspar el bol con la batidora en funcionamiento; apáguela primero. Si el raspador o cualquier otro objeto cae dentro del bol, apague el motor antes de retirarlo.

El bol y el batidor están diseñados para proporcionar una mezcla homogénea, sin que se tenga que raspar con frecuencia. Normalmente es suficiente con raspar el bol una o dos veces cuando se mezcle.

La batidora de pie se puede calentar durante su uso. Con cargas pesadas durante períodos de batido prolongados es posible que no pueda tocar cómodamente la parte superior de la batidora. Esto es normal.

Consejos para mezclar

Agregar los ingredientes

Añada siempre los ingredientes lo más cerca posible del borde del bol, no directamente en el batidor en movimiento. El conductor para verter se puede utilizar para agregar los ingredientes con mayor facilidad. Utilice la velocidad 1 hasta que los ingredientes se combinen. A continuación, aumente la velocidad progresivamente hasta alcanzar la velocidad deseada.

Agregar frutos secos, pasas o frutas escarchadas

Siga las instrucciones de las recetas específicas a la hora de añadir estos ingredientes. Por lo general, los alimentos sólidos se deberían incorporar en los últimos segundos del proceso de mezclado a velocidad 1. La mezcla debe ser lo suficientemente espesa para que la fruta o los frutos secos se depositen en el fondo de la fuente durante la preparación. Las frutas pegajosas se deberían rebozar en harina para conseguir una mejor distribución en la mezcla.

Mezclas líquidas

Las mezclas que contienen grandes cantidades de ingredientes líquidos se deberían mezclar a velocidades más reducidas para evitar que salpiquen. Aumentar la velocidad una vez que la mezcla haya espesado.

NOTA :Si los ingredientes depositados en el fondo del bol no se mezclan bien, entonces el batidor no está lo suficientemente introducido en el bol. Consulte la sección "Montaje de la batidora de pie".

Cuando necesite servicio

⚠ ADVERTENCIA



Peligro de descarga eléctrica

Desenchufar antes de obtener servicio.

En caso contrario se puede producir la muerte o una descarga eléctrica.

Por favor, lea la información que viene a continuación antes de contactar con su servicio técnico.

1. La batidora de pie se puede calentar durante su uso. Con cargas pesadas durante períodos de mezclado prolongados es posible que no pueda tocar cómodamente la parte superior de la unidad. Esto es normal.
2. La batidora de pie puede desprender un olor acre, sobre todo cuando es nueva. Es algo habitual cuando se trata de motores eléctricos.

3. Si el batidor plano golpea el bol, detenga la batidora. Consulte la sección "Montaje de la batidora de pie".

Si su batidora de pie funciona incorrectamente o no funciona, por favor compruebe lo siguiente:

- ¿Está enchufada la batidora de pie?
- ¿Está en funcionamiento el fusible del circuito de la batidora de pie? Si tiene una caja de fusibles, asegúrese de que el circuito está cerrado.
- ¿Está presionado el conmutador de parada?
- Apague la batidora de pie entre 10 y 15 segundos y, a continuación, vuelva a encenderla. Si la batidora no se pone en marcha, permita que se enfríe durante unos 30 minutos antes de volverla a encender.
- Si el problema no se debe a uno de los motivos anteriormente mencionados, véase la sección "Planificación del servicio".

Español

Garantía de la batidora de pie con bol elevable de uso profesional KitchenAid

Duración de la garantía:	KitchenAid pagará por:	KitchenAid no pagará por:
<p>Para Europa, Australia y Nueva Zelanda:</p> <p>Para la batidora de uso profesional modelo 5KSM7990: un año de garantía completa desde la fecha de compra.</p>	<p>Costes de las piezas de repuesto y del trabajo de reparación para corregir los defectos en los materiales o en la mano de obra. Sólo un Servicio de asistencia técnica autorizado de KitchenAid puede realizar las reparaciones.</p>	<p>Daños ocasionados por accidente, alteraciones, uso indebido, abuso o instalación/funcionamiento que no sea conforme con los códigos eléctricos locales.</p>

KITCHENAID NO ASUME NINGUNA RESPONSABILIDAD POR DAÑOS INDIRECTOS.

SERVICIO Y GARANTÍA

Planificación del servicio

Cualquier reparación se debería realizar, en un ámbito local, por un centro de servicio técnico autorizado por KitchenAid. Contacte con el distribuidor al que le compró la unidad para obtener el nombre del centro de servicio técnico autorizado por KitchenAid más cercano.

Condiciones de la garantía

RIVER INTERNATIONAL, S.A., garantiza sus artículos durante un año, a partir de la fecha de compra, cubriendo la reparación, incluido mano de obra y material, o cambio del producto, o devolución del importe, contra todo defecto de fabricación o montaje, siempre que el artículo haya sido usado normalmente y según instrucciones.*

ARTÍCULO _____ MARCA _____ MODELO _____

FECHA DE COMPRA _____

FIRMA Y SELLO DEL VENDEDOR _____

DATOS DE COMPRADOR:

D./Dña: _____, D.N.I. _____

Solicite el servicio de Asistencia Técnica al Vendedor o al Importador: RIVER INTERNATIONAL S.A., C/BEETHOVEN 15, 08021 BARCELONA, Tlfno.: 93-201.37.77. Fax: 93-202.38.04.

Presente al S.A.T. esta GARANTÍA cumplimentada o la Factura de compra.

* Como Consumidor de este artículo goza Vd. de los derechos que le reconoce la Ley de Garantías en la Venta de Bienes de Consumo 23/2003 (B.O.E. 11-07-03), en las condiciones que la misma establece. Recuerde que la fecha acreditada mediante el documento de compra, inicia el período de dos años previsto en la Ley.

Atención al cliente

RIVER INTERNATIONAL, S.A.

C/Beethoven 15

08021 Barcelona

Tlfno.: 93-201 37 77

Fax: 93-202 38 04

www.riverint.com
www.KitchenAid.eu



Technology Center
303 Upton Drive, St. Joseph, MI 49085-1175

**EU – DECLARATION OF CONFORMITY
CE-DECLARATION DE CONFORMITE**

We: WHIRLPOOL CORPORATION, 303 UPTON DR., ST. JOSEPH, MI 49085, USA
Representing: WHIRLPOOL EUROPE S.r.l I-21025 COMERIO

Declare under sole responsibility that the product:

KitchenAid™ Stand Mixers: Model 5KSM79XX+

Where:

XX = up to 2 alphanumeric characters, which represents the features, distributor code and/or color

+ = May or may not be followed by five or more digit suffix codes to indicate change in aesthetics

to which this declaration relates, is in conformity with the following standard(s) or other normative document(s):

- IEC 60335-1: Ed.5: 2010**
- IEC 60335-2-64: Edition 3.1 2008-03**
- EN 55014-1:2006 + A1:2009**
- EN 55014-2:1997 + A1:2001 + A2:2008**
- EN 61000-3-2:2006 + A1:2009 + A2:2009**
- EN 61000-3-3:2008**
- EN 62233:2008**

The model listed conforms to the provisions of Directive (s):

- | | |
|---------------------|---|
| 2004/108/EC | ELECTROMAGNETIC COMPATABILITY DIRECTIVE |
| 2006/95/EC | LOW VOLTAGE DIRECTIVE |
| 2006/42/EC | MACHINERY DIRECTIVE |
| 10/2011/EU | PLASTIC MATERIALS INTENDED TO CONTACT FOOD |
| 1935/2004/EC | MATERIALS INTENDED TO CONTACT FOOD |

Place and Date:
Saint Joseph, MI, USA
30 January, 2012

Represented by:

Mark Dahmer
Engineering Director
KitchenAid Portable Appliances Division

Español



FOR THE WAY IT'S MADE.

© 2012. Todos los derechos reservados.
Las especificaciones están sujetas a cambios sin previo aviso.

W10308298C

07/12



KitchenAid

6.9 L PROFESSIONAL BOWL-LIFT STAND MIXER

Original Instructions

KÜCHENMASCHINE MIT SCHÜSSELHEBER UND 6,9 L SCHÜSSEL FÜR DEN GEWERBLICHEN EINSATZ

Originalanleitungen

ROBOT SUR SOCLE PROFESSIONNEL À BOL RELEVABLE DE 6,9 L

Instructions d'origine

ROBOT DA CUCINA PROFESSIONALE CON SOLLEVAMENTO CIOTOLA DA 6,9 L

Istruzioni originali

6,9 L PROFESSIONELE MIXER/KEUKENROBOT MET IN DE HOOGTE VERSTELBARE KOM

Originele instructies

BATIDORA PROFESIONAL DE PIE CON BOL ELEVABLE DE 6,9 L

Instrucciones originales

BATEDEIRA PROFISSIONAL COM SUPORTE PARA TAÇA DE 6,9 L

Intruções originais

ΕΠΑΓΓΕΛΜΑΤΙΚΟ ΜΙΞΕΡ ΜΕ ΒΑΣΗ ΚΑΙ ΥΠΕΡΥΨΩΜΕΝΟ ΜΠΟΛ 6,9 L

Αρχικές οδηγίες

6,9 L PROFESSIONELL KÖKSMASKIN MED SKÅL PÅ HÄVARM

Originalinstruktioner

6,9 L BOLLELØFTENDE KJØKKENMASKIN

Originale instruksjoner

6,9 L AMMATIKÄYTTÖÖN TARKOITETTU YLEISKONE

Alkuperäiset ohjeet

6,9 L PROFESSIONEL KØKKENMASKINE MED SKÅLLØFT

Originale Instruktioner

6,9 L BORDHRÆRIVÉL MED LYFTANLEGRI SKÁL FYRIR FAGFÓLK

Upphaflegar leiðbeiningar

ПРОФЕССИОНАЛЬНЫЙ МИКСЕР СО СЪЕМНОЙ ЧАШЕЙ 6,9 л

Оригинальные инструкции

PROFESJONALNY MIKSER STOJĄCY Z PODNOSZONĄ DZIEŻĄ 6,9 L

Originalna instrukcja

PROFESIONÁLNÍ KUCHYŇSKÝ ROBOT SE ZVEDACÍ MÍSOU O OBJEMU 6.9 L

Originální pokyny

PROFESIONÁLNY KUCHYŇSKÝ ROBOT SO ZDVÍHACOU MISOU O OBJEME 6,9 L

Originálne pokyny

MIXER PROFESIONAL CU SOCLU ŞI BOL DE 6,9 L

Instrucţiuni originale

ПРОФЕССИОНАЛЕН КУХНЕНСКИ РОБОТ С ПОВДИГАЩА СЕ КУПА С ВМЕСТИМОСТ 6,9 L

Оригинални инструкции

Model 5KSM7990*



Índice

SEGURANÇA DA BATEDEIRA	
Instruções de segurança importantes.....	93
Requisitos eléctricos.....	94
Destruição de equipamentos eléctricos.....	94
PEÇAS E CARACTERÍSTICAS	95
PREPARAR A BATEDEIRA	
Montar a batedeira.....	96
Ajustar a distância entre o misturador e a taça	98
UTILIZAR A BATEDEIRA	
Utilizar acessórios KitchenAid.....	98
Guia de controlo de velocidade - batedeiras de 10 velocidades.....	99
MANUTENÇÃO E LIMPEZA	100
SUGESTÕES PARA RESULTADOS PROFISSIONAIS	
Acção planetária de mistura.....	101
Tempo de mistura	101
Utilização da batedeira.....	101
Sugestões de utilização.....	101
ASSISTÊNCIA E GARANTIA	
Assistência técnica.....	102
Garantia da Batedeira Profissional KitchenAid com Suporte para Taça	102
Centros de assistência.....	103
Serviço de assistência.....	103

SEGURANÇA DA BATEDEIRA

A sua segurança e a dos outros é muito importante.

Este manual e o electrodoméstico contêm várias mensagens de segurança importantes. Deve sempre ler e respeitar todas as mensagens de segurança.



Este é o símbolo de aviso de segurança.

Este aviso alerta-o para perigos potenciais que podem causar a morte ou ferimentos a si e aos outros.

Todas as mensagens de segurança são fornecidas a seguir ao símbolo de aviso de segurança e às palavras "PERIGO" OU "AVISO". Estas palavras significam:

 **PERIGO**

Corre risco de morte ou ferimentos graves se não seguir imediatamente as instruções.

 **AVISO**

Corre risco de morte ou ferimentos graves se não seguir as instruções.

Todas as mensagens de segurança indicar-lhe-ão qual o potencial perigo, como evitar a possibilidade de ser ferido e o que acontece caso as instruções não sejam respeitadas.

Instruções de segurança importantes

A utilização de aparelhos eléctricos exige que sejam sempre respeitadas precauções básicas de segurança, incluindo as seguintes:

1. Leia todas as instruções.
2. Para evitar o risco de choque eléctrico, não coloque a batedeira em água ou qualquer outro líquido.
3. Este aparelho não deverá ser usado por crianças sem qualquer supervisão.
4. Desligue a batedeira da tomada quando não estiver a ser utilizada, antes de montar ou desmontar qualquer acessório e antes de proceder à sua limpeza.
5. Evite tocar nas peças em movimento. Quando o misturador estiver em funcionamento, mantenha as mãos, o cabelo, a roupa, as espátulas e outros utensílios afastados, para evitar o risco de ferimentos e/ou danos na batedeira.
6. Não utilize a batedeira se o cabo eléctrico ou a ficha estiverem danificados, se a batedeira estiver avariada, tiver caído ou estiver danificada.
7. A utilização de acessórios não recomendados ou vendidos pela KitchenAid pode provocar incêndios, choque eléctrico ou ferimentos.
8. Não utilize a batedeira no exterior.
9. Não deixe o cabo eléctrico pendurado na borda da mesa ou bancada.
10. Remova o misturador, o batedor ou o amassador da batedeira antes de os lavar.
11. Este aparelho não se destina a ser utilizado por pessoas (incluindo crianças) com capacidades físicas, sensoriais ou mentais reduzidas, bem como com falta de experiência e conhecimentos, a menos que sejam supervisionadas ou tenham recebido instruções sobre a utilização do aparelho por uma pessoa responsável pela sua segurança.

GUARDE ESTAS INSTRUÇÕES
ESTE PRODUTO FOI CONCEBIDO
PARA UTILIZAÇÃO RESPONSÁVEL

Requisitos eléctricos

AVISO



Perigo de choque eléctrico

Ligue a uma tomada com ligação à terra.

Não retire o contacto de ligação à terra.

Não utilize um adaptador.

Não utilize uma extensão.

A não observação destas instruções pode resultar em morte, incêndio ou choque eléctrico.

Tensão: 220-240 Volts c.a.

Frequência: 50/60 Hz

Potência: 325 W, Tempo de funcionamento recomendado: 1-30 minutos com um ciclo de actividade de 10 min. LIGADO/15 min. DESLIGADO.

NOTA: A potência nominal da batedeira encontra-se inscrita na chapa do número de série, localizada na parte inferior da batedeira.

Não utilize uma extensão. Se o cabo eléctrico for demasiado curto, peça a um electricista qualificado ou a um técnico dos serviços de assistência para instalar uma tomada perto do aparelho.

A potência nominal é determinada utilizando o acessório com o maior consumo de energia. Os outros acessórios recomendados podem consumir muito menos energia.

Este aparelho está equipado com um cabo eléctrico de ligação em estrela. Se o cabo eléctrico estiver danificado, deverá ser substituído pelo fabricante ou pelo agente para evitar qualquer tipo de perigo.


A pressão acústica medida em conformidade com o código de teste prEN 454 é inferior a 70 dBA.

Um * no número do modelo indica caracteres adicionais que indicam a cor da máquina e dígitos de engenharia do modelo atual (por ex. 5KSM7990*).

Destruição de equipamentos eléctricos

Este aparelho está classificado de acordo com a Directiva Europeia 2002/96/CE sobre destruição de Equipamentos Eléctricos e Electrónicos (REEE).

Ao garantir a remoção adequada deste produto, estará a ajudar a evitar potenciais consequências negativas para o ambiente e para a saúde pública que poderiam derivar do tratamento inadequado deste produto.

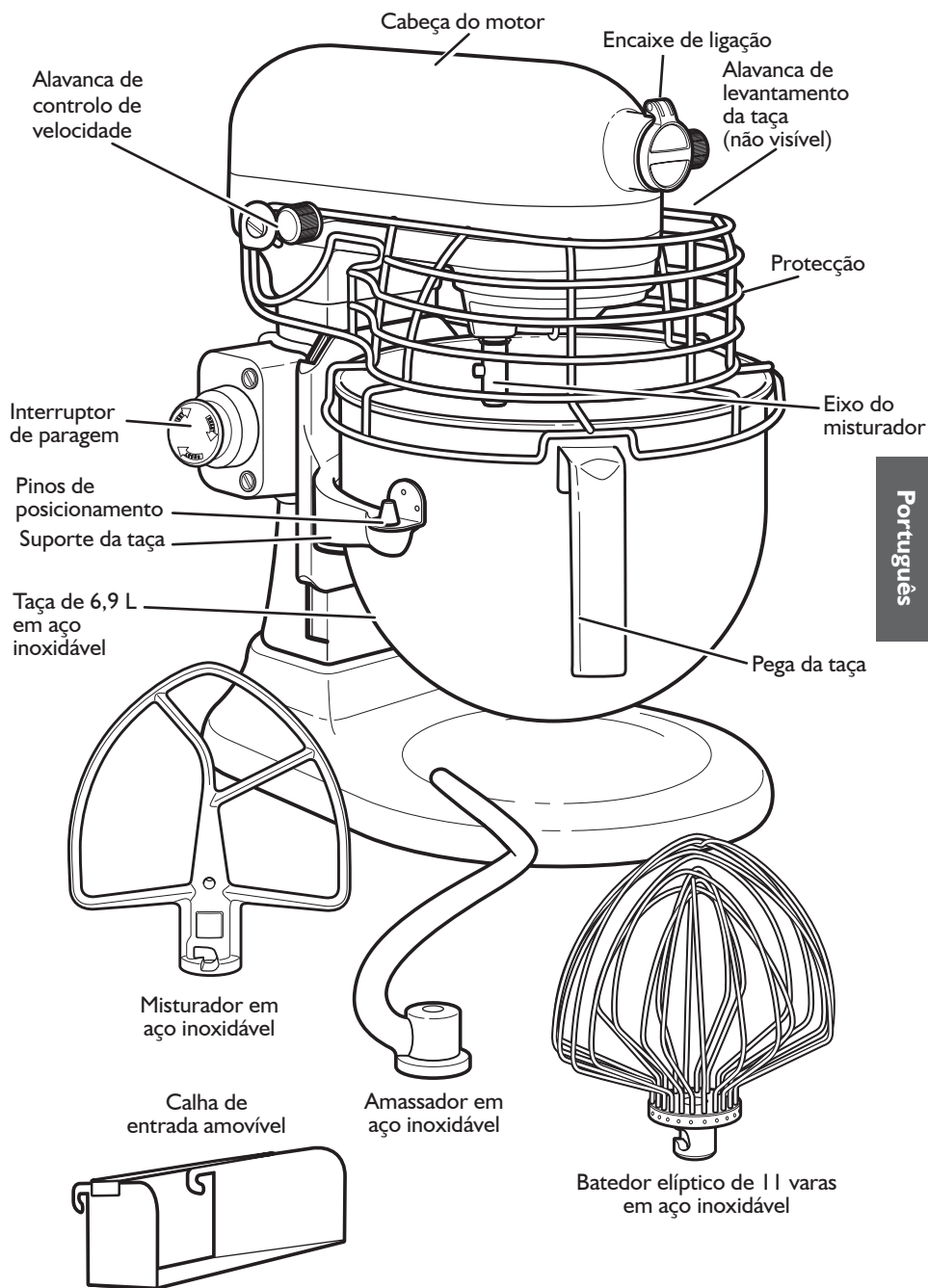
O símbolo  no produto, ou nos documentos que acompanham o produto, indica que este aparelho não pode receber um tratamento semelhante ao de um

desperdício doméstico. Pelo contrário, deverá ser depositado no centro de recolha adequado para a reciclagem de equipamentos eléctricos e electrónicos.

A remoção deverá ser efectuada em conformidade com as normas ambientais, nos locais para a eliminação de desperdícios.

Para obter informações mais detalhadas sobre o tratamento, a recuperação e a reciclagem deste produto, contacte a Câmara Municipal, o serviço de eliminação de desperdícios domésticos ou a loja onde adquiriu o produto.

PEÇAS E CARACTERÍSTICAS



PREPARAR A BATEDEIRA

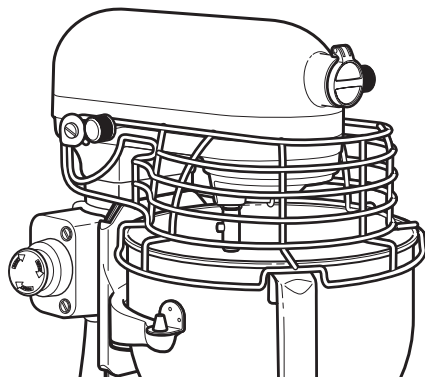
Montar a batedeira

Para montar a taça

1. Certifique-se que o controlo de velocidades esta na posição "0" (OFF)
2. Desligue a batedeira ou remova a ficha da tomada.
3. Levante a protecção.
4. Coloque a alavanca de levantamento da taça para baixo.
5. Encaixe os suportes da taça nos pinos de posicionamento.
6. Empurre a parte inferior da taça até que o pino da taça encaixe na mola de engate.

NOTA: Se a taça não estiver correctamente encaixada, ficará instável e irá oscilar durante a utilização.

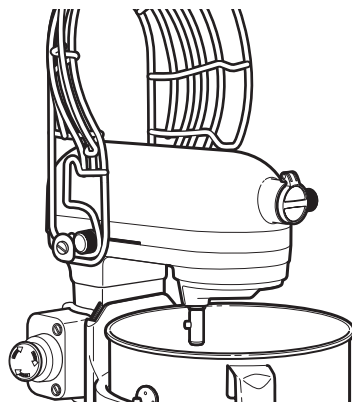
Português



7. Baixe a protecção.
8. Levante a taça antes de a utilizar.

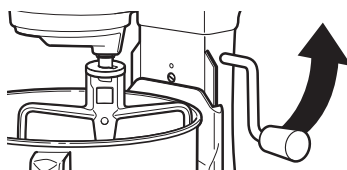
Para remover a taça

1. Certifique-se que o controlo de velocidades esta na posição "0" (OFF)
2. Desligue a batedeira ou remova a ficha da tomada.
3. Levante a protecção.



4. Coloque a alavanca de levantamento da taça para baixo.
5. Remova o misturador, o batedor ou o amassador.
6. Segure na taça pela pega e levante-a dos pinos de posicionamento.

Para levantar a taça



1. Rode a alavanca de levantamento para cima.
2. A taça tem de estar sempre bloqueada nesta posição durante o funcionamento.

PREPARAR A BATEDEIRA

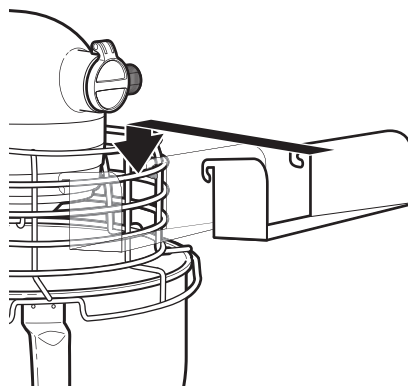
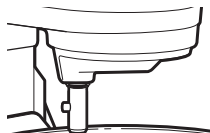
INSTALAÇÃO: A batedeira deve ser instalada numa superfície plana e estável, como uma bancada ou uma mesa de trabalho.

Para baixar a taça

1. Rode a alavanca para trás e para baixo.

Para montar o misturador, o batedor ou o amassador

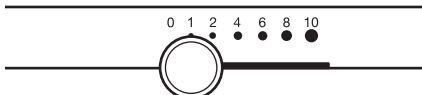
1. Certifique-se que o controlo de velocidades esta na posição "0" (OFF)
2. Desligue a batedeira ou remova a ficha da tomada.
3. Levante a protecção.
4. Encaixe o misturador no respectivo eixo e empurre-o o mais para cima possível.
5. Rode o misturador para a direita, encaixando-o no pino existente no eixo.



Para remover o misturador, o batedor ou o amassador

1. Certifique-se que o controlo de velocidades esta na posição "0" (OFF)
2. Desligue a batedeira ou remova a ficha da tomada.
3. Levante a protecção.
4. Empurre o misturador o mais possível para cima e rode-o para a esquerda.
5. Remova o misturador do eixo.

Alavanca de controlo de velocidade



A função Soft Start reduz os salpicos, iniciando a batedeira a uma velocidade baixa antes de aumentar para a velocidade seleccionada. Para reduzir ainda mais a possibilidade de salpicos, comece sempre pela velocidade 1 e passe gradualmente para as velocidades mais elevadas conforme necessário. Consulte "Guia de controlo de velocidade".

Calha de entrada amovível

A calha de entrada amovível pode ser montada facilmente na parte frontal da protecção, conforme mostrado na ilustração acima. A calha permite deitar facilmente ingredientes na taça da batedeira.

Protecção do motor com rearme automático

Se a batedeira parar devido a sobrecarga, coloque a alavanca de controlo de velocidade na posição "0" (OFF) e desligue a batedeira da corrente. Após alguns minutos, o motor da batedeira ficará automaticamente preparado para voltar a ser utilizado. Volte a ligar a batedeira à corrente, coloque a alavanca de controlo de velocidade na velocidade pretendida e continue a misturar. Se a batedeira não funcionar, desligue-a da corrente durante um período de tempo maior para que esta arrefeça; em seguida, ligue a batedeira à corrente e retome o trabalho. Se a batedeira não funcionar, consulte "Assistência técnica".

Interruptor de paragem

Se necessitar de parar a batedeira imediatamente durante a utilização, prima o interruptor de paragem. Para retomar o funcionamento, coloque a alavanca de controlo de velocidade na posição "0" (OFF) e puxe o interruptor de paragem para fora. Em seguida, poderá voltar a utilizar a batedeira normalmente.

PREPARAR A BATEDEIRA

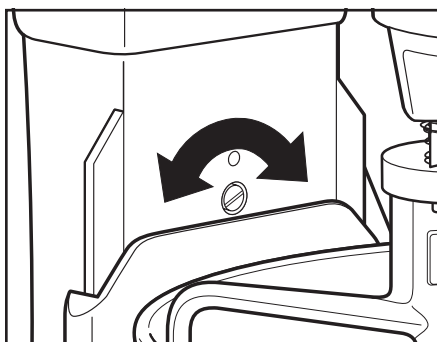
Ajustar a distância entre o misturador e a taça

A bateadeira é ajustada na fábrica de modo a que o misturador quase toque no fundo da taça. Se, por qualquer motivo, o misturador tocar no fundo da taça ou estiver demasiado afastado da taça, pode alterar facilmente esta distância.

1. Certifique-se que o controlo de velocidades esta na posição "0" (OFF).
2. Desligue a bateadeira ou remova a ficha da tomada.
3. Levante a protecção.
4. Coloque a taça na posição para baixo.
5. Rode ligeiramente o parafuso de ajuste da altura do misturador para a esquerda para subir o misturador ou para a direita para baixar o misturador.
6. Ajuste o misturador de modo a que este fique próximo do fundo da taça, sem lhe tocar. Se ajustar demasiado o parafuso, a alavanca de levantamento da taça poderá não ficar fixa na posição adequada.

NOTA: Quando ajustado correctamente, o misturador não toca no fundo nem nos lados da taça. Se o misturador ou o batedor tocarem no fundo da taça, o revestimento do misturador (nos misturadores revestidos) ou as varas do batedor de aço inoxidável poderão desgastar-se.

Independentemente do ajuste do misturador, em determinadas condições poderá ser necessário raspar os lados da taça. Pare a bateadeira para raspar a taça; caso contrário, poderá danificar a bateadeira.



UTILIZAR A BATEDEIRA

Utilizar acessórios KitchenAid

Misturador para misturas normais e pesadas (O tempo de funcionamento recomendado é 1-10 minutos, consoante a receita):

bolos	biscoitos
coberturas com natas	pães de massa rápida
doces	rolo de carne
bolachas	puré de batata
massa folhada	

Batedor para misturas que precisam de ar incorporado (O tempo de funcionamento recomendado é 1-30 minutos, consoante a receita):

ovos	coberturas para bolos
claras	pão-de-ló
natas gordas	maionese

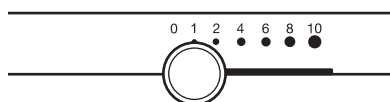
Amassador para misturar e amassar massa de pão levedada (O tempo de funcionamento recomendado é 1-10 minutos, consoante a receita):

pão	bolo de café
tortas	brioche

UTILIZAR A BATEDEIRA

Guia de controlo de velocidade - batedeiras de 10 velocidades

Todas as velocidades têm a função Soft Start, que inicia automaticamente o funcionamento da batedeira a uma velocidade mais baixa, para impedir que os ingredientes sejam projectados durante o arranque e, atinge rapidamente a velocidade seleccionada.



Velocidade	Utilizada para	Acessórios	Descrição
1	Mexer		Para misturar lentamente, combinar ou esmagar, iniciar qualquer procedimento de mistura. Utilize para adicionar farinha ou ingredientes secos à massa e adicionar líquidos e ingredientes secos. Não utilize a velocidade 1 para misturar ou amassar massa de pão levedada.
2	Misturar lentamente, amassar		Para misturar lentamente, esmagar e mexer mais rapidamente. Utilize para misturar e amassar massa levedada, massas pesadas e doces, para começar a esmagar batatas ou outros vegetais, para misturar matérias gordas na farinha e para misturar massas cruas finas ou líquidas.
4	Misturar, bater		Para misturar massas semi-pesadas, como bolachas. Utilize para misturar açúcar e matérias gordas e para adicionar açúcar às claras para merengues. Velocidade média para preparados de bolos.
6	Bater, preparar natas		Velocidade média para bater natas. Utilize para concluir preparados de bolos, biscoitos e outras massas. Velocidade elevada para preparados de bolos.
8-10	Bater rapidamente		Para bater natas, claras e coberturas para bolos. Para bater pequenas quantidades de natas, claras ou para terminar a preparação de puré de batata.

NOTA: Utilize a velocidade 2 para misturar ou amassar massa de pão levedada. A utilização de qualquer outra velocidade poderá danificar a batedeira. O amassador PowerKnead amassa eficientemente a maior parte da massa de pão levedada em 4 minutos.

Gráfico de capacidades

	Taça de 6,9 L
Farinha	2 a 2,2 kg
Pão	8 pães de 450 g
Bolachas/Biscoitos	160 unidades
Puré de batata	3,6 kg

MANUTENÇÃO E LIMPEZA

A taça em aço inoxidável, o misturador, o batedor em aço inoxidável, o amassador e a calha de entrada podem ser lavados na máquina de lavar loiça. Não utilize produtos de limpeza com um pH inferior a 5. Alternativamente, lave-os em água tépida com detergente líquido e enxágue-os cuidadosamente antes de secar. Não deixe os acessórios no veio. A batedeira não deve ser limpa com um jacto de água ou um pulverizador.

AVISO

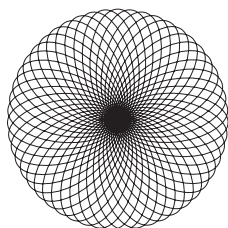
PERIGO DE CHOQUE ELÉCTRICO
DESLIGUE A BATEDEIRA DA TOMADA ANTES DE A LIMPAR, PARA EVITAR O RISCO DE CHOQUE ELÉCTRICO.

Limpe a batedeira com um pano húmido. **NÃO MERGULHE EM ÁGUA.** Limpe regularmente o veio do misturador, retirando quaisquer resíduos que possam ter-se acumulado.

SUGESTÕES PARA RESULTADOS PROFISSIONAIS

Acção planetária de mistura

Durante o funcionamento, o misturador desloca-se em redor da taça fixa, ao mesmo tempo que roda, na direcção oposta, sobre o seu próprio eixo. O diagrama mostra a cobertura total da taça durante o percurso do misturador.



O modelo 5KSM7990 tem uma potência nominal de 500 Watts e utilizar um motor de corrente contínua. Trata-se de um motor silencioso e eficiente, combinado com um sistema de transmissão directa, que gera 1,3 cv de potência máxima (potência de saída do motor), permitindo obter um resultado rápido e consistente mesmo com massas pesadas.

Tempo de mistura

A sua batedeira KitchenAid Bate/mistura mais rapidamente e de um modo mais completo do que qualquer outra batedeira eléctrica. Consequentemente, o tempo de mistura indicado na maior parte das receitas tem de ser ajustado, para evitar um eventual excesso de mistura.

Para ajudar a determinar o tempo de mistura ideal, observe a massa ou preparado e misture apenas até obter o aspecto pretendido descrito na receita, como "fofo e cremoso". Para seleccionar as melhores velocidades de mistura, utilize a secção "Guia de controlo de velocidade".

Utilização da batedeira

AVISO

PERIGO DE FERIMENTOS

Para evitar ferimentos, bem como para evitar danificar o batedor, não tente raspar a taça com a batedeira em funcionamento; desligue a batedeira. Se deixar cair a espátula ou outro objecto na taça, desligue o motor antes de retirar o objecto.

A taça e o misturador foram concebidos para permitir uma mistura uniforme sem raspagem frequente. Raspar a taça uma ou duas vezes durante a mistura é normalmente suficiente.

A batedeira pode aquecer durante o funcionamento. Em situações de utilização intensiva, com períodos de mistura prolongados, a parte superior da batedeira poderá ser desconfortável ao toque. Esta situação é normal.

Sugestões de utilização

Adicionar ingredientes

Adicione sempre os ingredientes o mais perto possível da parte lateral da taça, e não directamente no misturador em movimento. A calha de entrada pode ser utilizada para facilitar a adição de ingredientes. Utilize a velocidade 1 até que os ingredientes tenham sido combinados. Em seguida, aumente gradualmente até à velocidade pretendida.

Adicionar nozes, uvas ou frutas cristalizadas

Siga as instruções indicadas nas receitas individuais. De uma maneira geral, os ingredientes sólidos devem ser colocados nos últimos segundos de utilização da velocidade 1. A massa deve ser suficientemente espessa para impedir que as frutas ou nozes se afundem durante a cozedura. As frutas espessas devem ser envolvidas em farinha para uma melhor distribuição na massa.

Preparados líquidos

Os preparados com grandes quantidades de ingredientes líquidos devem ser misturados a velocidades baixas para evitar salpicos. Aumente a velocidade apenas quando o preparado estiver mais espesso.

NOTA: Se os ingredientes existentes no fundo da taça não estiverem totalmente misturados, o misturador não está correctamente posicionado na taça. Consulte a secção "Preparar a batedeira".

ASSISTÊNCIA E GARANTIA

Assistência técnica



AVISO

Perigo de choque eléctrico

Desligue da tomada antes de efectuar qualquer operação de manutenção.

A não observação destas instruções pode resultar em morte ou choque eléctrico.

Consulte as informações seguintes antes de contactar o centro de assistência.

1. A batedeira pode aquecer durante o funcionamento. Em situações de utilização intensiva, com períodos de mistura prolongados, a parte superior da batedeira poderá ser desconfortável ao toque. Esta situação é normal.

2. A batedeira poderá emitir um odor forte, especialmente enquanto é nova. Esta situação é normal nos motores eléctricos.

3. Se o misturador tocar na taça, pare a batedeira. Consulte a secção "Preparar a batedeira".

Se a batedeira funcionar incorrectamente ou não funcionar, verifique o seguinte:

- A batedeira está ligada à tomada?
- O fusível do circuito eléctrico de alimentação da batedeira está em bom estado? Se tiver uma caixa de disjuntores, verifique se o circuito está fechado.
- O interruptor de paragem está puxado para fora?
- Desligue a batedeira durante 10-15 segundos e volte a ligá-la. Se a batedeira continuar sem funcionar, deixe-a arrefecer durante 30 minutos antes de a ligar de novo.
- Se o problema não for provocado por um dos pontos anteriores, consulte a secção "Centros de assistência".

Português

Garantia da Batedeira Profissional KitchenAid com Suporte para Taça

Duração da Garantia:	A KitchenAid Pagará:	A KitchenAid Não Pagará:
Europa, Austrália e Nova Zelândia: Para a batedeira comercial 5KSM7990: Um ano de garantia total a partir da data de aquisição.	As peças de substituição e os custos de mão-de-obra relacionados com a reparação de defeitos de materiais ou fabrico. A assistência tem de ser fornecida por um Centro de Assistência Autorizado da KitchenAid.	Danos resultantes de acidentes, alterações, mau uso, abuso ou instalação/funcionamento em discordância com o regulamento eléctrico local.

A KITCHENAID NÃO ASSUME QUALQUER RESPONSABILIDADE POR DANOS INDIRECTOS.

ASSISTÊNCIA E GARANTIA

Centros de assistência

Toda a assistência deverá ser prestada localmente por um Centro de Assistência Autorizada da KitchenAid. Contacte o revendedor onde adquiriu o aparelho para obter o nome do Centro de Assistência Autorizado da KitchenAid mais perto da sua residência.

Em Portugal:

LUSOMAX LDA.
Avenida Salgueiro Maia, 949
Edifício Matesica - Abóboda
2785-502 SÃO DOMINGOS DE RANA

Tel.: +351/214 101 006

Fax: +351/214 107 837

lusomax@netcabo.pt

Serviço de assistência

Em Portugal:

LUSOMAX LDA.,
Avenida Salgueiro Maia, 949
Edifício Matesica - Abóboda
2785-502 SÃO DOMINGOS DE RANA

Tel: +351/214 101 006

Fax: +351/214 107 837

lusomax@netcabo.pt

Português

www.KitchenAid.eu



Technology Center
303 Upton Drive, St. Joseph, MI 49085-1175

**EU – DECLARATION OF CONFORMITY
CE-DECLARATION DE CONFORMITE**

We: WHIRLPOOL CORPORATION, 303 UPTON DR., ST. JOSEPH, MI 49085, USA
Representing: WHIRLPOOL EUROPE S.r.l I-21025 COMERIO

Declare under sole responsibility that the product:

KitchenAid™ Stand Mixers: Model 5KSM79XX+

Where:

XX = up to 2 alphanumeric characters, which represents the features, distributor code and/or color
+ = May or may not be followed by five or more digit suffix codes to indicate change in aesthetics

to which this declaration relates, is in conformity with the following standard(s) or other normative document(s):

- IEC 60335-1: Ed.5: 2010**
- IEC 60335-2-64: Edition 3.1 2008-03**
- EN 55014-1:2006 + A1:2009**
- EN 55014-2:1997 + A1:2001 + A2:2008**
- EN 61000-3-2:2006 + A1:2009 + A2:2009**
- EN 61000-3-3:2008**
- EN 62233:2008**

The model listed conforms to the provisions of Directive (s):

- | | |
|---------------------|---|
| 2004/108/EC | ELECTROMAGNETIC COMPATABILITY DIRECTIVE |
| 2006/95/EC | LOW VOLTAGE DIRECTIVE |
| 2006/42/EC | MACHINERY DIRECTIVE |
| 10/2011/EU | PLASTIC MATERIALS INTENDED TO CONTACT FOOD |
| 1935/2004/EC | MATERIALS INTENDED TO CONTACT FOOD |

Place and Date:
Saint Joseph, MI, USA
30 January, 2012

Represented by:

Mark Dahmer
Engineering Director
KitchenAid Portable Appliances Division



FOR THE WAY IT'S MADE.

© 2012. Todos os direitos reservados.
Especificações sujeitas a alteração sem aviso prévio.



KitchenAid

6.9 L PROFESSIONAL BOWL-LIFT STAND MIXER

Original Instructions

KÜCHENMASCHINE MIT SCHÜSSELHEBER UND 6,9 L SCHÜSSEL FÜR DEN GEWERBLICHEN EINSATZ

Originalanleitungen

ROBOT SUR SOCLE PROFESSIONNEL À BOL RELEVABLE DE 6,9 L

Instructions d'origine

ROBOT DA CUCINA PROFESSIONALE CON SOLLEVAMENTO CIOTOLA DA 6,9 L

Istruzioni originali

6,9 L PROFESSIONELE MIXER/KEUKENROBOT MET IN DE HOOGTE VERSTELBARE KOM

Originele instructies

BATIDORA PROFESIONAL DE PIE CON BOL ELEVABLE DE 6,9 L

Instrucciones originales

BATEDEIRA PROFISSIONAL COM SUPORTE PARA TAÇA DE 6,9 L

Intruções originais

ΕΠΑΓΓΕΛΜΑΤΙΚΟ ΜΙΞΕΡ ΜΕ ΒΑΣΗ ΚΑΙ ΥΠΕΡΥΨΩΜΕΝΟ ΜΠΟΛ 6,9 L

Αρχικές οδηγίες



6,9 L PROFESSIONELL KÖKSMASKIN MED SKÅL PÅ HÄVARM

Originalinstruktioner

6,9 L BOLLELØFTENDE KJØKKENMASKIN

Originale instruksjoner

6,9 L AMMATIKÄYTTÖÖN TARKOITETTU YLEISKONE

Alkuperäiset ohjeet

6,9 L PROFESSIONEL KØKKENMASKINE MED SKÅLLØFT

Originale Instruktioner

6,9 L BORDHRÆRIVÉL MED LYFTANLEGRI SKÁL FYRIR FAGFÓLK

Upphaflegar leiðbeiningar

ПРОФЕССИОНАЛЬНЫЙ МИКСЕР СО СЪЕМНОЙ ЧАШЕЙ 6,9 Л

Оригинальные инструкции

PROFESJONALNY MIKSER STOJĄCY Z PODNOSZONĄ DZIEŻĄ 6,9 L

Originalna instrukcja

PROFESIONÁLNÍ KUCHYŇSKÝ ROBOT SE ZVEDACÍ MÍSOU O OBJEMU 6.9 L

Originální pokyny

PROFESIONÁLNY KUCHYŇSKÝ ROBOT SO ZDVÍHACOU MISOU O OBJEME 6,9 L

Originálne pokyny

MIXER PROFESIONAL CU SOCLU ŞI BOL DE 6,9 L

Instrucţiuni originale

ПРОФЕССИОНАЛЕН КУХНЕНСКИ РОБОТ С ПОВДИГАЩА СЕ КУПА С ВМЕСТИМОСТ 6,9 L

Оригинални инструкции

Model 5KSM7990*



Περιεχόμενα

ΑΣΦΑΛΕΙΑ ΜΙΞΕΡ ΜΕ ΒΑΣΗ	
Σημαντικά μέτρα ασφάλειας	108
Ηλεκτρικές απαιτήσεις	109
Απόρριψη ηλεκτρικού εξοπλισμού	109
ΤΜΗΜΑΤΑ ΚΑΙ ΧΑΡΑΚΤΗΡΙΣΤΙΚΑ	110
ΡΥΘΜΙΣΗ ΤΟΥ ΜΙΞΕΡ ΜΕ ΒΑΣΗ	
Συναρμολόγηση του μίξερ με βάση	111
Ρύθμιση της απόστασης του χτυπητηριού από το μπολ	113
ΧΡΗΣΗ ΤΟΥ ΜΙΞΕΡ ΜΕ ΒΑΣΗ	
Χρήση των εξαρτημάτων KitchenAid	113
Οδηγός ελέγχου ταχυτήτων - Ανώτατη ταχύτητα μίξερ με βάση, 10	114
ΦΡΟΝΤΙΔΑ ΚΑΙ ΚΑΘΑΡΙΣΜΟΣ	115
ΣΥΜΒΟΥΛΕΣ ΓΙΑ ΤΕΛΕΙΑ ΑΠΟΤΕΛΕΣΜΑΤΑ	
Ανάμειξη με ελικοειδή κίνηση	116
Χρόνος ανάμειξης	116
Χρήση του μίξερ	116
Συμβουλές ανάμειξης	116
SERVICE ΚΑΙ ΕΓΓΥΗΣΗ	
Σε περίπτωση που χρειαστείτε service	117
Εγγύηση επαγγελματικού μίξερ με βάση και υπερυψωμένο μπολ KitchenAid	117
Κέντρα service	118
Εξυπηρέτηση πελατών	118

ΑΣΦΑΛΕΙΑ ΜΙΞΕΡ ΜΕ ΒΑΣΗ

Τόσο η δική σας ασφάλεια όσο και των άλλων είναι πολύ σημαντική.

Στο συγκεκριμένο εγχειρίδιο παρέχονται πολλά μηνύματα ασφαλείας καθώς επίσης και πάνω στην ίδια τη συσκευή. Διαβάστε πάντα με προσοχή και εφαρμόζετε πιστά όλα τα μηνύματα ασφαλείας.



Το συγκεκριμένο αποτελεί προειδοποιητικό σύμβολο ασφαλείας.

Αυτό το σύμβολο σας προειδοποιεί για πιθανούς κινδύνους, που μπορεί να προκαλέσουν τραυματισμό ή ακόμα και θάνατο σε σας και τους γύρω σας.

Όλα τα μηνύματα ασφαλείας θα επισημαίνονται με το προειδοποιητικό σύμβολο ασφαλείας και είτε με τη λέξη "ΚΙΝΔΥΝΟΣ" ή "ΠΡΟΕΙΔΟΠΟΙΗΣΗ".

Οι λέξεις αυτές δηλώνουν:

⚠ ΚΙΝΔΥΝΟΣ

Υπάρχει κίνδυνος θανάσιμου ή σοβαρού τραυματισμού, εάν δεν ακολουθήσετε αμέσως τις οδηγίες.

⚠ ΠΡΟΣΟΧΗ

Υπάρχει κίνδυνος θανάσιμου ή σοβαρού τραυματισμού, εάν δεν ακολουθήσετε τις οδηγίες.

Όλα τα μηνύματα ασφαλείας σας ενημερώνουν για τους πιθανούς κινδύνους, το πώς μπορείτε να μειώσετε την πιθανότητα τραυματισμού καθώς επίσης και τι ενδέχεται να συμβεί στην περίπτωση που δεν ακολουθήσετε πιστά τις οδηγίες.

Σημαντικά μέτρα ασφαλείας

Κατά τη χρησιμοποίηση των ηλεκτρικών συσκευών, θα πρέπει πάντα να τηρούνται τα ακόλουθα μέτρα ασφαλείας:


1. Διαβάστε όλες τις οδηγίες.
2. Για να προστατευτείτε από τον κίνδυνο ηλεκτροπληξίας, μη βυθίζετε το μίξερ στο νερό ή σε άλλο υγρό.
3. Πρέπει να επιβλέπετε τα παιδιά ώστε να εξασφαλίζετε ότι δεν παίζουν με τη συσκευή.
4. Αποσυνδέστε το μίξερ από την πρίζα όταν δεν το χρησιμοποιείτε, πριν τοποθετήσετε ή βγάλετε κάποια εξαρτήματα της συσκευής και πριν την καθαρίσετε.
5. Αποφύγετε την επαφή με τα κινούμενα μέρη. Κρατήστε χέρια, μαλλιά, ρούχα, όπως και σπάτουλες και άλλα εργαλεία μακριά από τον αναδευτήρα κατά τη διάρκεια της λειτουργίας, προκειμένου να μειώσετε τον κίνδυνο τραυματισμού από μωμν ή/και ζημιάς στο μίξερ.
6. Μην ενεργοποιήσετε το μίξερ με βάση όταν το καλώδιο ή το φικ είναι χαλασμένο ή μετά από δυσλειτουργίες του μίξερ με βάση ή όταν πέσει και χαλάσει με οποιοδήποτε τρόπο.
7. Η χρήση των εξαρτημάτων που δεν συνιστώνται ή που δεν πωλούνται από την KitchenAid μπορεί να οδηγήσουν στην πρόκληση πυρκαγιάς, ηλεκτροπληξίας ή τραυματισμού.
8. Μην χρησιμοποιείτε το μίξερ με βάση σε εξωτερικούς χώρους.
9. Μην αφήνετε το καλώδιο να κρέμεται από την άκρη του τραπεζιού ή του πάγκου.
10. Αφαιρέστε το χτυπητήρι, τον αναδευτήρα μαρέγκας ή το γάντζο ζύμης από το μίξερ με βάση πριν από τον καθαρισμό.
11. Αυτή η συσκευή δεν προορίζεται για χρήση από άτομα (συμπεριλαμβανόμενων των παιδιών) με μειωμένες φυσικές, αισθητηριακές ή διανοητικές ικανότητες, ή έλλειψη εμπειρίας και γνώσης, εκτός εάν βρίσκονται υπό επίβλεψη ή έχουν λάβει οδηγίες σχετικά με τη χρήση της συσκευής από κάποιο άτομο υπεύθυνο για την ασφάλειά τους.

ΦΥΛΑΞΤΕ ΤΙΣ ΟΔΗΓΙΕΣ

ΤΟ ΠΡΟΪΟΝ ΑΥΤΟ ΕΧΕΙ ΣΧΕΔΙΑΣΤΕΙ ΓΙΑ
ΕΠΑΓΓΕΛΜΑΤΙΚΗ ΧΡΗΣΗ

Ηλεκτρικές απαιτήσεις

⚠ ΠΡΟΣΟΧΗ



Κίνδυνος ηλεκτροπληξίας

Συνδέστε το σε γειωμένη πρίζα.

Μην αφαιρείτε τον ακροδέκτη γείωσης.

Μην χρησιμοποιήσετε μετασχηματιστή.

Μην χρησιμοποιήσετε καλώδιο επέκτασης.

Σε περίπτωση που δεν ακολουθήσετε τις οδηγίες, μπορεί να προκληθεί θάνατος, πυρκαγιά ή ηλεκτροπληξία.

Volt: 220-240 A.C.

Hertz: 50/60 Hz

Ισχύς: 325 W, Συνιστώμενος χρόνος λειτουργίας: 1-30 λεπτά με κύκλο λειτουργίας 10 λεπτά ενεργοποιημένο / 15 λεπτά απενεργοποιημένο.

ΣΗΜΕΙΩΣΗ: Η ισχύς του μίξερ με βάση σας βρίσκεται τυπωμένη στη σειριακή πλάκα που είναι τοποθετημένη κάτω από το μίξερ με βάση.

Μην χρησιμοποιείτε καλώδιο επέκτασης. Αν το καλώδιο παροχής ηλεκτρικού ρεύματος είναι πολύ κοντό, συμβουλευτείτε έναν ειδικευμένο ηλεκτρολόγο ή τεχνικό για να εγκαταστήσει μια πρίζα κοντά στη συσκευή.

Η ισχύς σε watt καθορίζεται από τη χρήση του εξαρτήματος που αντλεί τη μέγιστη δύναμη (ισχύς). Άλλα συνιστώμενα εξαρτήματα μπορεί να αντλήσουν σημαντικά λιγότερη δύναμη.

Αυτό το προϊόν παρέχετε με καλώδιο ρεύματος Τύπου Υ. Αν το καλώδιο ρεύματος χαλάσει ή φθαρεί, πρέπει να αντικατασταθεί από τον κατασκευαστή ή τον αντιπρόσωπο του service ώστε να αποφευχθεί η πιθανότητα κινδύνου.

Ελληνικά


Το επίπεδο ακουστικής πίεσης υπολογίζεται σύμφωνα με το prEN 454-ο κωδικός δοκιμής είναι μικρότερος από 70 dBA.

Το A * στον αριθμό μοντέλου υποδεικνύει επιπλέον χαρακτήρες, οι οποίοι ορίζουν το χρώμα του μηχανήματος και τα μηχανικά ψηφία για το πραγματικό μοντέλο (π.χ. 5KSM7990*).

Απόρριψη ηλεκτρικού εξοπλισμού

Αυτή η συσκευή φέρει σήμανση σύμφωνα με την Ευρωπαϊκή οδηγία 2002/96/EE σχετικά με Απορριπτόμενα ηλεκτρικά και ηλεκτρονικά εξαρτήματα (MEEE).

Εξασφαλίζοντας ότι το προϊόν αυτό απορρίπτεται σωστά, θα βοηθήσετε στην πρόληψη πιθανά αρνητικών επιπτώσεων για το περιβάλλον και την ανθρώπινη υγεία, οι οποίες θα μπορούσαν να δημιουργηθούν από τον ακατάλληλο χειρισμό αυτού του προϊόντος ως απόρριμμα.

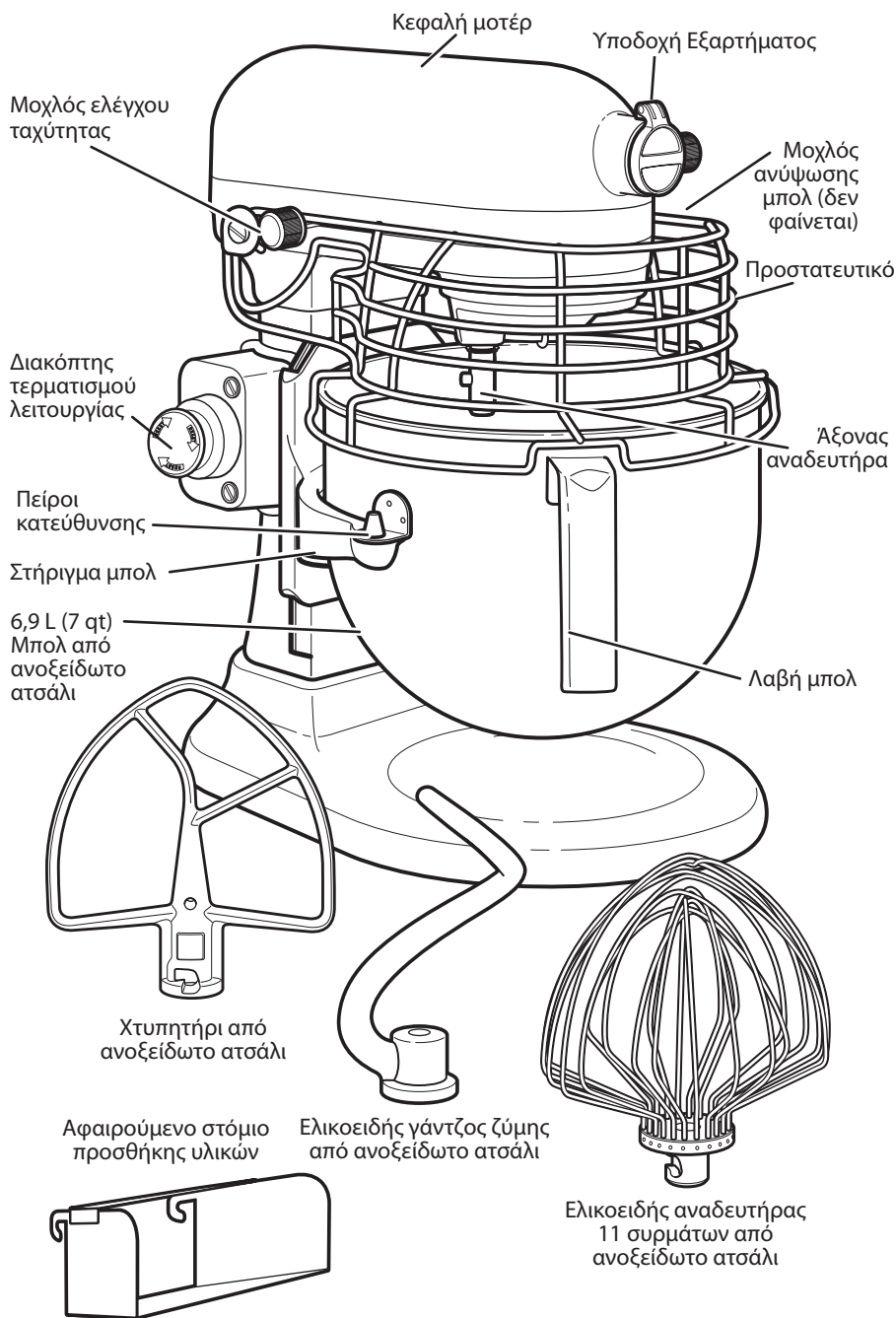
Το σύμβολο  επάνω στο προϊόν, ή στα έγγραφα που συνοδεύουν το προϊόν, δηλώνει ότι αυτή η συσκευή δεν μπορεί να θεωρηθεί οικιακό απόρριμμα.

Αντί αυτού θα πρέπει να παραδοθεί στο κατάλληλο σημείο περισυλλογής για την ανακύκλωση ηλεκτρικού και ηλεκτρονικού εξοπλισμού.

Η απόρριψη θα πρέπει να γίνεται τηρώντας την τοπική νομοθεσία για τη διάθεση των απορριμμάτων.

Για λεπτομερείς πληροφορίες σχετικά με την επεξεργασία, την περισυλλογή και την ανακύκλωση αυτού του προϊόντος, επικοινωνήστε με το αρμόδιο γραφείο της τοπικής δημοτικής αρχής, την τοπική υπηρεσία αποκομιδής οικιακών απορριμμάτων ή το κατάστημα όπου αγοράσατε αυτό το προϊόν.

ΤΜΗΜΑΤΑ ΚΑΙ ΧΑΡΑΚΤΗΡΙΣΤΙΚΑ



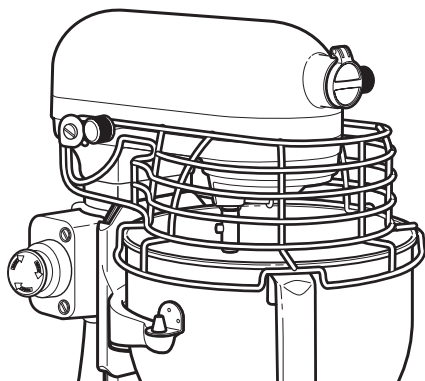
ΡΥΘΜΙΣΗ ΤΟΥ ΜΙΞΕΡ ΜΕ ΒΑΣΗ

Συναρμολόγηση του μίξερ με βάση

Για να τοποθετήσετε το μπολ

1. Γυρίστε το μοχλό ελέγχου ταχύτητας στη θέση "0" (ΑΠΕΝΕΡΓΟΠΟΙΗΣΗ).
2. Βγάλτε το καλώδιο του μίξερ με βάση από την πρίζα ή διακόψτε την παροχή ρεύματος.
3. Ανασηκώστε το προστατευτικό.
4. Τοποθετήστε το μοχλό ανύψωσης του μπολ στην κάτω θέση.
5. Τοποθετήστε τα στηρίγματα μπολ επάνω από τους πείρους κατεύθυνσης.
6. Πιέστε το πίσω μέρος του μπολ προς τα κάτω μέχρι να απελευθερωθεί ο πείρος του μπολ να ασφαλίσει στο ελατήριο.

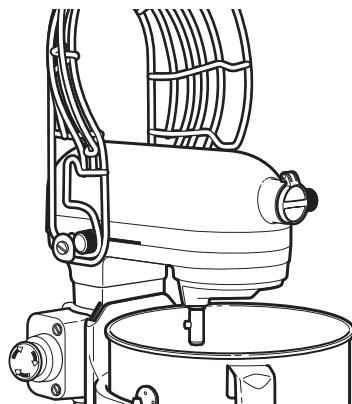
ΣΗΜΕΙΩΣΗ: Εάν το μπολ δεν έχει ασφαλιστεί στη θέση του, δεν θα είναι σταθερό και θα ταλαντεύεται κατά τη διάρκεια της χρήσης.



7. Χαμηλώστε το προστατευτικό.
8. Ανυψώστε το μπολ προτού ξεκινήσετε την ανάδευση.

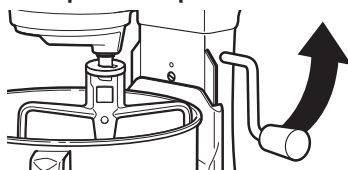
Για να αφαιρέσετε το μπολ

1. Γυρίστε το μοχλό ελέγχου ταχύτητας στη θέση "0" (ΑΠΕΝΕΡΓΟΠΟΙΗΣΗ).
2. Βγάλτε το καλώδιο του μίξερ με βάση από την πρίζα ή διακόψτε την παροχή ρεύματος.



3. Ανασηκώστε το προστατευτικό.
4. Τοποθετήστε το μοχλό ανύψωσης του μπολ στην κάτω θέση.
5. Αφαιρέστε το χτυπητήρι, τον αναδευτήρα μαρέγκας ή το γάντζο ζύμης.
6. Πιάστε τη λαβή του μπολ και σηκώστε προς τα επάνω μέχρι να απελευθερωθεί από τους πείρους κατεύθυνσης.

Για να ανυψώσετε το μπολ



1. Περιστρέψτε το μοχλό αριστερόστροφα μέχρι την πάνω θέση.
2. Το μπολ πρέπει να είναι σε υπερυψωμένη και κλειδωμένη θέση κατά την ανάδευση.

Για να χαμηλώσετε το μπολ

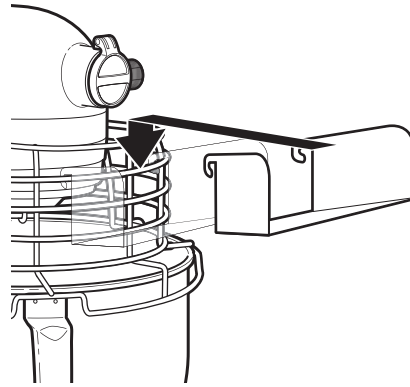
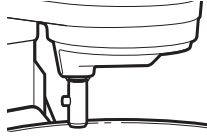
1. Περιστρέψτε το μοχλό προς τα πίσω και κάτω.

ΡΥΘΜΙΣΗ ΤΟΥ ΜΙΞΕΡ ΜΕ ΒΑΣΗ

ΕΓΚΑΤΑΣΤΑΣΗ: Το μίξερ με βάση πρέπει να τοποθετηθεί σε επίπεδη και σταθερή επιφάνεια, όπως πάγκος κουζίνας ή τραπέζι.

Για να τοποθετήσετε το χτυπητήρι, τον αναδευτήρα μαρέγκας ή το γάντζο ζύμης

1. Γυρίστε το μοχλό ελέγχου ταχύτητας στη θέση "0" (ΑΠΕΝΕΡΓΟΠΟΙΗΣΗ).
2. Βγάλτε το καλώδιο του μίξερ με βάση από την πρίζα ή διακόψτε την παροχή ρεύματος.
3. Ανασηκώστε το προστατευτικό.
4. Προσαρμόστε το χτυπητήρι επάνω στον άξονα ανάδευσης και πιέστε προς τα πάνω όσο το δυνατόν περισσότερο.
5. Περιστρέψτε το χτυπητήρι προς τα δεξιά, κουμπώνοντάς το πάνω από τον πείρο που βρίσκεται πάνω στον άξονα.



Αφαιρούμενο στόμιο προσθήκης υλικών

Το αφαιρούμενο στόμιο προσθήκης υλικών τοποθετείται εύκολα στο μπροστινό τμήμα του προστατευτικού, όπως φαίνεται στο παραπάνω σχήμα. Με αυτό το εξάρτημα μπορείτε να προσθέτετε εύκολα υλικά στο μολτο του μίξερ με βάση.

μοτέρ

Εάν το μίξερ με βάση σταματήσει τη λειτουργία του λόγω υπερφόρτωσης, περιστρέψτε το μοχλό ελέγχου ταχύτητας στη θέση "0" (ΑΠΕΝΕΡΓΟΠΟΙΗΣΗ) και βγάλτε το από την πρίζα. Μετά από λίγα λεπτά, θα γίνει αυτόματη επαναφορά του μίξερ με βάση. Συνδέστε πάλι το μίξερ με βάση στην πρίζα, περιστρέψτε το μοχλό ελέγχου ταχύτητας στην επιθυμητή ταχύτητα και συνεχίστε την ανάδευση. Εάν το μίξερ με βάση δεν τεθεί σε λειτουργία, βγάλτε το μίξερ με βάση από την πρίζα για περισσότερο χρόνο ώστε να κρυώσει. Έπειτα, συνδέστε το πάλι στην πρίζα και θέστε σε λειτουργία το μίξερ με βάση. Εάν δεν τεθεί σε λειτουργία το μίξερ με βάση, ανατρέξτε στην ενότητα "Σε περίπτωση που χρειαστείτε service".

Διακόπτης τερματισμού λειτουργίας

Εάν θέλετε να θέσετε αμέσως εκτός λειτουργίας το μίξερ με βάση, πατήστε το διακόπτη τερματισμού λειτουργίας. Για να συνεχίσετε τη λειτουργία, επαναφέρετε το μοχλό ελέγχου ταχύτητας στη θέση "0" (ΑΠΕΝΕΡΓΟΠΟΙΗΣΗ) και τραβήξτε προς τα έξω το διακόπτη διακοπής λειτουργίας. Έπειτα, το μίξερ με βάση είναι πάλι έτοιμο για χρήση.

Για να αφαιρέσετε το χτυπητήρι, τον αναδευτήρα μαρέγκας ή το γάντζο ζύμης

1. Γυρίστε το μοχλό ελέγχου ταχύτητας στη θέση "0" (ΑΠΕΝΕΡΓΟΠΟΙΗΣΗ).
2. Βγάλτε το καλώδιο του μίξερ με βάση από την πρίζα ή διακόψτε την παροχή ρεύματος.
3. Ανασηκώστε το προστατευτικό.
4. Πιέστε το χτυπητήρι προς τα πάνω όσο το δυνατόν περισσότερο και περιστρέψτε το αριστερά.
5. Τραβήξτε το χτυπητήρι από τον άξονα ανάδευσης.

Μοχλός ελέγχου ταχύτητας



Η λειτουργία σταδιακής εκκίνησης ελαχιστοποιεί το πιτσιλίσμα υλικού ξεκινώντας το μίξερ αργά προτού επιλέξετε την ταχύτητα που επιθυμείτε. Για περαιτέρω μείωση πιθανού πιτσιλίσματος υλικού, να ξεκινάτε πάντα με την Ταχύτητα 1 και να αυξάνετε την ταχύτητα σταδιακά. Βλ. "Οδηγός ελέγχου ταχύτητας".

Προστασία αυτόματης επαναφοράς

ΡΥΘΜΙΣΗ ΤΟΥ ΜΙΞΕΡ ΜΕ ΒΑΣΗ

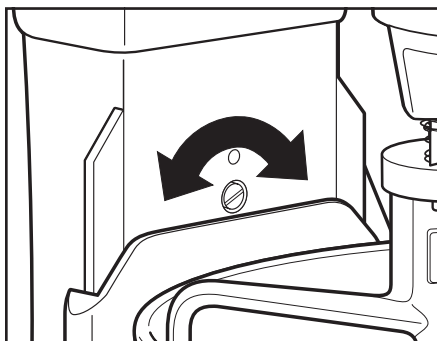
Ρύθμιση της απόστασης του χτυπητηριού από το μπολ

Το συγκεκριμένο μίξερ με βάση ρυθμίζεται στο εργοστάσιο με τέτοιο τρόπο ώστε το χτυπητήρι απλά και μόνο να καθαρίζει τη βάση του μπολ. Εάν, για οποιοδήποτε λόγο, το χτυπητήρι χτυπήσει τη βάση του μπολ ή είναι πάρα πολύ μακριά από αυτό, μπορείτε εύκολα να διορθώσετε την απόσταση του.

1. Γυρίστε το μοχλό ελέγχου ταχύτητας στη θέση "0" (ΑΠΕΝΕΡΓΟΠΟΙΗΣΗ).
2. Βγάλτε το καλώδιο του μίξερ με βάση από την πρίζα ή διακόψτε την παροχή ρεύματος.
3. Ανασηκώστε το προστατευτικό.
4. Χαμηλώστε το μπολ στην κάτω θέση.
5. Περιστρέψτε τη βίδα ρύθμισης ύψους χτυπητηριού ελαφρώς αριστερόστροφα για να ανυψώσετε το χτυπητήρι ή δεξιόστροφα για να το χαμηλώσετε.
6. Ρυθμίστε το χτυπητήρι, έτσι ώστε να καθαρίζει όλη την επιφάνεια του μπολ. Εάν έχετε ρυθμίσει τη βίδα περισσότερο από το κανονικό, ο μοχλός ανύψωσης του μπολ μπορεί να μην ασφαλίζει στη θέση του.

ΣΗΜΕΙΩΣΗ: Όταν ρυθμιστεί κατάλληλα, το χτυπητήρι δεν θα χτυπήσει στη βάση ή την πλευρά του μπολ. Εάν το χτυπητήρι ή ο αναδευτήρας μαρέγκας από ανοξείδωτο ατσάλι είναι τόσο κοντά που χτυπάει στη βάση του μπολ, η επιστροφή του χτυπητηριού μπορεί να φθαρεί (για χτυπητήρια με επιστροφή) ή τα σύρματα του αναδευτήρα μαρέγκας μπορεί να χαλάσουν.

Ενδέχεται να χρειαστεί να αφαιρέσετε το μείγμα από τις εσωτερικές πλευρές του μπολ ασχέτως της ρύθμισης του χτυπητηριού. Πρέπει να διακόψετε τη λειτουργία του μίξερ με βάση για να μαζέψετε το μείγμα από τα τοιχώματα του μπολ διαφορετικά ενδέχεται να προκληθεί ζημιά.



Ελληνικά

ΧΡΗΣΗ ΤΟΥ ΜΙΞΕΡ ΜΕ ΒΑΣΗ

Χρήση των εξαρτημάτων KitchenAid

Χτυπητήρι για κανονικά έως και βαριά μείγματα (Ο συνιστώμενος χρόνος λειτουργίας είναι από 1 έως 10 λεπτά, ανάλογα με τη συνταγή):

κέικ	μπισκότα
μαρέγκες με κρέμα	ψωμί
γλυκά	ρολό κρέατος
μπισκότα	πουρές πατάτας
ζύμη για πίτες	

Αναδευτήρας μαρέγκας για μείγματα στα οποία χρειάζεται αέρας (Ο συνιστώμενος χρόνος λειτουργίας είναι από 1 έως 30 λεπτά, ανάλογα με τη συνταγή):

αυγά	βρασμένες μαρέγκες
ασπράδια αυγών	αφράτα κέικ
βαριές κρέμες	μαγιονέζα

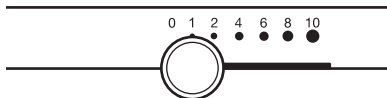
Γάντζος ζύμης για ανάμειξη και ζύμωμα ζύμης με μαγιά (Ο συνιστώμενος χρόνος λειτουργίας είναι από 1 έως 10 λεπτά, ανάλογα με τη συνταγή):

ψωμί	κέικ για καφέ
ψωμάκια	βουτήματα

ΧΡΗΣΗ ΤΟΥ ΜΙΞΕΡ ΜΕ ΒΑΣΗ

Οδηγός ελέγχου ταχυτήτων - Ανώτατη ταχύτητα μίξερ με βάση, 10

Όλες οι ταχύτητες έχουν τη λειτουργία σταδιακής εκκίνησης που ξεκινάει αυτόματα τη λειτουργία του μίξερ με βάση με χαμηλή ταχύτητα έτσι ώστε να αποτρέπεται το πιτσίλισμα υλικών ή αλευριού στο ξεκίνημα, ενώ στη συνέχεια αυξάνεται γρήγορα στην επιλεγμένη ταχύτητα για να έχετε την καλύτερη απόδοση.



Ταχύτητα	Χρησιμοποιείται για	Εξαρτήματα	Περιγραφή
1	Ανακάτεμα		Για αργό ανακάτεμα, συνδυασμό υλικών, πολτοποίηση, έναρξη όλων των διαδικασιών ανάμειξης. Χρησιμοποιείστε αυτή την ταχύτητα για να προσθέσετε το αλεύρι και τα ξηρά υλικά στο μείγμα και για να προσθέσετε υγρά στα ξηρά συστατικά. Μην χρησιμοποιήσετε την Ταχύτητα 1 για να αναμείξετε ή να ζυμώσετε το μείγμα ζύμης.
2	Αργή ανάμειξη, Ζύμωμα		Για αργή ανάμειξη, πολτοποίηση, γρηγορότερο ανακάτεμα. Χρησιμοποιείστε αυτή την ταχύτητα για να αναμείξετε και να ζυμώσετε το μείγμα ζύμης ή για βαριά μείγματα και γλυκά, για να πολτοποιήσετε πατάτες ή άλλα λαχανικά, για περιορισμένο αριθμό υλικών στο αλεύρι, ή για να ετοιμάσετε ελαφριά ή υγρά μείγματα.
4	Ανάμειξη, Χτύπημα		Για ανάμειξη μιγμάτων μέτριας πυκνότητας, όπως τα μπισκότα. Χρησιμοποιείστε την για να συνδυάσετε κατάλληλα τη ζάχαρη και τα λίπη ζαχαροπλαστικής και για να προσθέσετε ζάχαρη σε ασπράδια αυγών όταν φτιάχνετε μαρέγκες. Μέση ταχύτητα για τα μείγματα για κέικ.
6	Χτύπημα, Κρέμα		Για μέσης ταχύτητας γρήγορο χτύπημα (κρέμα) ή απλό ανακάτεμα. Χρησιμοποιείστε την για να ολοκληρώσετε την ανάμειξη κέικ, ντόνατς και άλλων μιγμάτων. Υψηλή ταχύτητα για τα μείγματα κέικ.
8-10	Γρήγορο χτύπημα, Ανακάτεμα, Γρήγορο ανακάτεμα		Για χτύπημα κρέμας, ασπραδιού αυγών και για βρασμένες μαρέγκες. Για χτύπημα μικρών ποσοτήτων κρέμας, ασπραδιών αυγών ή για το τελικό χτύπημα των πολτοποιημένων πατατών.

Ελληνικά

ΣΗΜΕΙΩΣΗ: Χρησιμοποιείστε την ταχύτητα 2 για να αναμίξετε ή να ζυμώσετε τη ζύμη. Η χρήση οποιασδήποτε άλλης ταχύτητας ενδέχεται να προκαλέσει βλάβη στο μίξερ με βάση. Ο ελκκοειδής γάντζος ζύμης PowerKnead ζυμώνει αποτελεσματικά τη ζύμη μαγιάς σε 4 λεπτά.

Πίνακας χωρητικότητας

	Μπολ 6,9 L
Αλεύρι	2 έως 2,2 κιλά
Ψωμί	8 ψωμιά των 450 γρ.
Μπισκότα	160 τεμάχια
Πουρές πατάτας	3,6 κιλά

ΦΡΟΝΤΙΔΑ ΚΑΙ ΚΑΘΑΡΙΣΜΟΣ

Το μπολ από ανοξείδωτο ατσάλι, το χτυπητήρι, ο αναδευτήρας μαρέγκας από ανοξείδωτο ατσάλι, ο ελικοειδής γάντζος ζύμης και το στόμιο προσθήκης υλικών πλένονται και στο πλυντήριο πιάτων. Μη χρησιμοποιείτε καθαριστικά με ΡΗ χαμηλότερο από 5. Διαφορετικά, μπορείτε να τα καθαρίσετε καλά μέσα σε ζεστό νερό με σαπούνι και να τα ξεβγάλετε πολύ καλά πριν τα αφήσετε να στεγνώσουν. Μην αφήνετε τους αναδευτήρες πάνω στον άξονα. Μην καθαρίζετε το μίξερ με βάση με εκτοξευτήρα νερού ή σωλήνα ψεκασμού.

ΠΡΟΣΟΧΗ

ΚΙΝΔΥΝΟΣ ΗΛΕΚΤΡΟΠΛΗΞΙΑΣ

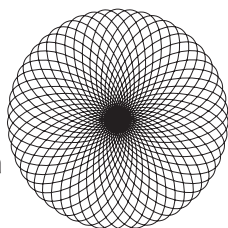
ΠΡΙΝ ΤΟΝ ΚΑΘΑΡΙΣΜΟ ΤΟΥ ΜΙΞΕΡ, ΒΕΒΑΙΩΘΕΙΤΕ ΟΤΙ ΕΧΕΤΕ ΑΠΟΣΥΝΔΕΣΕΙ ΤΟ ΜΙΞΕΡ ΑΠΟ ΤΗΝ ΠΡΙΖΑ ΠΡΟΣ ΑΠΟΦΥΓΗ ΠΙΘΑΝΗΣ ΗΛΕΚΤΡΟΠΛΗΞΙΑΣ.

Σκουπίστε το μίξερ με ένα νωπό πανί. ΜΗ ΤΟ ΒΥΘΙΖΕΤΕ ΣΤΟ ΝΕΡΟ. Σκουπίζετε τον άξονα εξαρτημάτων ανάδευσης συχνά, αφαιρώντας οποιοδήποτε υπόλειμμα μπορεί να έχει συσσωρευτεί.

ΣΥΜΒΟΥΛΕΣ ΓΙΑ ΤΕΛΕΙΑ ΑΠΟΤΕΛΕΣΜΑΤΑ

Ανάμειξη με ελικοειδή κίνηση

Κατά τη διάρκεια της λειτουργίας, το χτυπητήρι κινείται κυκλικά στο μπολ, ενώ συγχρόνως περιστρέφεται σε αντίθετη κατεύθυνση πάνω στον άξονά του. Το διάγραμμα παρουσιάζει την περιοχή του μπολ που καλύπτει η τροχιά του χτυπητηριού.



Η ονομαστική ισχύ του 5KSM7990 είναι 500 Watts και χρησιμοποιεί μοτέρ συνεχούς ρεύματος. Είναι ένα ήσυχο και εξαιρετικά αποτελεσματικό μοτέρ και συνδυάζει ένα σύστημα άμεσης μετάδοσης: αυτό επιτρέπει να κινεί 1,3 ίππους στην ανώτερη ισχύ (έξοδος ισχύος μοτέρ), δίνοντας τη δυνατότητα για γρήγορο και φανταστικό αποτέλεσμα ανάμειξης ακόμα και όταν πρόκειται για πηχτή ζύμη.

Χρόνος ανάμειξης

Το μίξερ της KitchenAid αναμειγνύει γρηγορότερα και πιο αποτελεσματικά σε σχέση με τα περισσότερα ηλεκτρικά μίξερ. Επομένως, ο χρόνος ανάμειξης στις περισσότερες συνταγές πρέπει να ρυθμίζεται έτσι ώστε να αποφεύγεται η υπερβολική ανάμειξη.

Για να προσδιορίσετε τον ιδανικό χρόνο ανάμειξης, δώστε προσοχή στο μείγμα ή τη ζύμη και αναμειγνύετε μόνο έως ότου πετύχετε την επιθυμητή εμφάνιση που περιγράφεται στη συνταγή σας, δηλαδή μέχρι να γίνει «μαλακή και κρεμώδη». Για να επιλέξετε τις κατάλληλες ταχύτητες ανάμειξης, ανατρέξτε στη ενότητα "Οδηγός ελέγχου ταχύτητας".

Χρήση του μίξερ

⚠ ΠΡΟΣΟΧΗ

ΚΙΝΔΥΝΟΣ ΤΡΑΥΜΑΤΙΣΜΟΥ

Για να αποφύγετε τυχόν τραυματισμό και ζημιές στον αναδευτήρα, μην επιχειρείτε να αφαιρέσετε τα υπολείμματα τροφών από τα τοιχώματα του μπολ, ενώ το μίξερ βρίσκεται σε λειτουργία. Απενεργοποιήστε πρώτα το μίξερ. Εάν πέσει μέσα στο μπολ σπάτουλα ή άλλο αντικείμενο, ΑΠΕΝΕΡΓΟΠΟΙΗΣΤΕ το μοτέρ προτού αφαιρέσετε το αντικείμενο.

Το μπολ και το χτυπητήρι σχεδιάζονται έτσι ώστε να παρέχουν λεπτομερή ανάμειξη χωρίς συχνή αφαίρεση υπολειμμάτων τροφών από τα τοιχώματα. Μία ή δύο φορές κατά τη διάρκεια της ανάμειξης είναι συνήθως ικανοποιητικά.

Το μίξερ με βάση ενδέχεται να ζεσταθεί κατά τη διάρκεια χρήσης του. Εάν χρησιμοποιείτε βαριά μείγματα για εκτεταμένα χρονικά διαστήματα ανάμειξης, μπορεί να μην είστε σε θέση να αγγίξετε την κορυφή του μίξερ. Αυτό είναι φυσιολογικό.

Συμβουλές ανάμειξης

Προσθήκη υλικών

Να προσθέτετε πάντα τα υλικά όσο πιο κοντά στο μπολ μπορείτε και πλευρικά, και όχι απευθείας στο κινούμενο εξάρτημα ανάδευσης. Το στόμιο προσθήκης υλικών, μπορεί να χρησιμοποιηθεί για να κάνει πιο εύκολη την προσθήκη των υλικών. Χρησιμοποιήστε την Ταχύτητα 1, έως ότου τα υλικά ανακατευτούν. Κατόπιν αυξήστε βαθμιαία στην επιθυμητή ταχύτητα.

Προσθήκη καρυδιών, σταφίδων ή αποξηραμένων φρούτων

Ακολουθήστε τις οδηγίες σε κάθε συνταγή όσον αφορά αυτά τα υλικά. Γενικά, τα στερεά υλικά πρέπει να χτυπηθούν τα τελευταία δευτερόλεπτα της ανάμειξης στην Ταχύτητα 1. Το μείγμα πρέπει να είναι αρκετά παχύ ώστε τα φρούτα ή τα καρύδια να μην καταλήξουν στη βάση του σκεύους κατά τη διάρκεια του ψησίματος. Τα κολλώδη φρούτα πρέπει να πασπαλιστούν με αλεύρι έτσι ώστε να υπάρχει ομοιόμορφη κατανομή τους στο μείγμα.

Υγρά μείγματα

Τα μείγματα που περιέχουν μεγάλες ποσότητες υγρών υλικών θα πρέπει να αναμειχθούν με χαμηλή ταχύτητα, για να αποφύγετε πιθανό πιτσίσισμα. Αυξήστε την ταχύτητα μόνο όταν το μείγμα αρχίσει να πυκνώνει.

ΣΗΜΕΙΩΣΗ: Εάν τα υλικά στη βάση του μπολ δεν αναμιχθούν πλήρως, τότε το χτυπητήρι δεν είναι αρκετά κοντά στο μπολ. Ανατρέξτε στην ενότητα "Ρύθμιση του μίξερ με βάση".

Σε περίπτωση που χρειαστείτε service

⚠ ΠΡΟΣΟΧΗ



Κίνδυνος ηλεκτροπληξίας

Αποσυνδέστε το μίξερ από την πρίζα προτού προβείτε σε εργασίες συντήρησης.

Σε αντίθετη περίπτωση, μπορεί να προκληθεί θάνατος ή ηλεκτροπληξία.

Διαβάστε τα παρακάτω πριν απευθυνθείτε στο κέντρο παροχής service.

1. Το μίξερ ενδέχεται να ζεσταθεί κατά τη διάρκεια χρήσης του. Εάν χρησιμοποιείτε βαριά μείγματα για εκτεταμένα χρονικά διαστήματα ανάμειξης, μπορεί να μην είστε σε θέση να αγγίξετε την κορυφή της μονάδας. Αυτό είναι φυσιολογικό.
2. Το μίξερ με βάση ενδέχεται να εκπέμψει μια έντονη μυρωδιά, ειδικά όταν είναι

τελείως καινούριο. Αυτό συμβαίνει συνήθως με τα ηλεκτρικά μοτέρ.

3. Στην περίπτωση που το χτυπητήρι χτυπάει το μπολ, σταματήστε το μίξερ. Ανατρέξτε στην ενότητα "Ρύθμιση του μίξερ με βάση".

Σε περίπτωση που το μίξερ δεν λειτουργεί σωστά ή δεν λειτουργεί καθόλου, ελέγξτε αν:

- Το μίξερ είναι συνδεδεμένο στην πρίζα.
- Η ασφάλεια του κυκλώματος του μίξερ λειτουργεί. Εάν έχετε πίνακα με διακόπτες, βεβαιωθείτε ότι το κύκλωμα είναι κλειστό.
- Ο διακόπτης τερματισμού λειτουργίας είναι τραβηγμένος προς τα έξω.
- Κλείστε το μίξερ με βάση για 10-15 δευτερόλεπτα, και κατόπιν ανοίξτε το. Εάν το μίξερ δεν αρχίσει να λειτουργεί, αφήστε να κρυώσει για 30 λεπτά πριν το θέσετε πάλι σε λειτουργία.
- Εάν το πρόβλημα δεν οφείλεται σε ένα από τα παραπάνω στοιχεία, συμβουλευτείτε την ενότητα «Κέντρα service».

Εγγύηση επαγγελματικού μίξερ με βάση και υπερυψωμένο μπολ KitchenAid

Χρονική διάρκεια εγγύησης:	Η KitchenAid θα πληρώσει για:	Η KitchenAid δε θα πληρώσει για:
<p>Ευρώπη, Αυστραλία και Νέα Ζηλανδία:</p> <p>Για το επαγγελματικό μίξερ 5KSM7990: Ένα έτος πλήρους εγγύησης από την ημερομηνία αγοράς.</p>	<p>Τα ανταλλακτικά εξαρτήματα και εργασίες επισκευής για επιδιόρθωση ελαττωματικών υλικών ή για διόρθωση της ίδιας της λειτουργίας. Το service παρέχεται από εξουσιοδοτημένο κέντρο service της KitchenAid.</p>	<p>Ζημιά ως αποτέλεσμα ατυχήματος, αλλαγών, κακής χρήσης, κατάχρησης ή εγκατάστασης / λειτουργίας που δεν συμμορφώνεται με τους τοπικούς ηλεκτρικούς κώδικες.</p>

Η KITCHENAID ΔΕΝ ΑΝΑΛΑΜΒΑΝΕΙ ΟΠΟΙΑΔΗΠΟΤΕ ΕΥΘΥΝΗ ΓΙΑ ΕΜΜΕΣΕΣ ΖΗΜΙΕΣ.

Κέντρα service

Όλες οι υπηρεσίες πρέπει να παρέχονται από τα κατά τόπους εξουσιοδοτημένα κέντρα service της KitchenAid. Επικοινωνήστε με τον έμπορο από τον οποίο αγοράσατε τη συσκευή προκειμένου να μάθετε το όνομα του πλησιέστερου εξουσιοδοτημένου κέντρου service της KitchenAid.

Εξυπηρέτηση πελατών

Τηλ: +30 210 9478120

Φαξ: +30 210 9415586

Service: +30 210 9478773

Αριθμός τηλεφωνικής βοήθειας στο:

Κολωνάκι, Πατρ. Ιωακείμ 33
+30 210 7237656

Θεσσαλονίκη, Τσιμισκή 26,
+30 2310 220933,231388



Technology Center
303 Upton Drive, St. Joseph, MI 49085-1175

**EU – DECLARATION OF CONFORMITY
CE-DECLARATION DE CONFORMITE**

We: WHIRLPOOL CORPORATION, 303 UPTON DR., ST. JOSEPH, MI 49085, USA
Representing: WHIRLPOOL EUROPE S.r.l I-21025 COMERIO

Declare under sole responsibility that the product:

KitchenAid™ Stand Mixers: Model 5KSM79XX+

Where:

XX = up to 2 alphanumeric characters, which represents the features, distributor code and/or color

+ = May or may not be followed by five or more digit suffix codes to indicate change in aesthetics

to which this declaration relates, is in conformity with the following standard(s) or other normative document(s):

- IEC 60335-1: Ed.5: 2010**
- IEC 60335-2-64: Edition 3.1 2008-03**
- EN 55014-1:2006 + A1:2009**
- EN 55014-2:1997 + A1:2001 + A2:2008**
- EN 61000-3-2:2006 + A1:2009 + A2:2009**
- EN 61000-3-3:2008**
- EN 62233:2008**

The model listed conforms to the provisions of Directive (s):

- | | |
|---------------------|---|
| 2004/108/EC | ELECTROMAGNETIC COMPATABILITY DIRECTIVE |
| 2006/95/EC | LOW VOLTAGE DIRECTIVE |
| 2006/42/EC | MACHINERY DIRECTIVE |
| 10/2011/EU | PLASTIC MATERIALS INTENDED TO CONTACT FOOD |
| 1935/2004/EC | MATERIALS INTENDED TO CONTACT FOOD |

Place and Date:
Saint Joseph, MI, USA
30 January, 2012

Represented by:

Mark Dahmer
Engineering Director
KitchenAid Portable Appliances Division

EAHpwk4



FOR THE WAY IT'S MADE.

© 2012. Με επιφύλαξη κάθε δικαιώματος.
Οι προδιαγραφές μπορεί να αλλάξουν χωρίς προειδοποίηση.



KitchenAid

6.9 L PROFESSIONAL BOWL-LIFT STAND MIXER

Original Instructions

KÜCHENMASCHINE MIT SCHÜSSELHEBER UND 6,9 L SCHÜSSEL FÜR DEN GEWERBLICHEN EINSATZ

Originalanleitungen

ROBOT SUR SOCLE PROFESSIONNEL À BOL RELEVABLE DE 6,9 L

Instructions d'origine

ROBOT DA CUCINA PROFESSIONALE CON SOLLEVAMENTO CIOTOLA DA 6,9 L

Istruzioni originali

6,9 L PROFESSIONELE MIXER/KEUKENROBOT MET IN DE HOOGTE VERSTELBARE KOM

Originële instructies

BATIDORA PROFESIONAL DE PIE CON BOL ELEVABLE DE 6,9 L

Instrucciones originales

BATEDEIRA PROFISSIONAL COM SUPORTE PARA TAÇA DE 6,9 L

Intruções originais

ΕΠΑΓΓΕΛΜΑΤΙΚΟ ΜΙΞΕΡ ΜΕ ΒΑΣΗ ΚΑΙ ΥΠΕΡΥΨΩΜΕΝΟ ΜΠΟΛ 6,9 L

Αρχικές οδηγίες

6,9 L PROFESSIONELL KÖKSMASKIN MED SKÅL PÅ HÄVARM

Originalinstruktioner

6,9 L BOLLELØFTENDE KJØKKENMASKIN

Originale instruksjoner

6,9 L AMMATIKÄYTTÖÖN TARKOITETTU YLEISKONE

Alkuperäiset ohjeet

6,9 L PROFESSIONEL KØKKENMASKINE MED SKÅLLØFT

Originale Instruktioner

6,9 L BORDHRÆRIVÉL MED LYFTANLEGRI SKÁL FYRIR FAGFÓLK

Upphaflegar leiðbeiningar

ПРОФЕССИОНАЛЬНЫЙ МИКСЕР СО СЪЕМНОЙ ЧАШЕЙ 6,9 Л

Оригинальные инструкции

PROFESJONALNY MIKSER STOJĄCY Z PODNOSZONĄ DZIEŻĄ 6,9 L

Originalna instrukcja

PROFESIONÁLNÍ KUCHYŇSKÝ ROBOT SE ZVEDACÍ MÍSOU O OBJEMU 6.9 L

Originální pokyny

PROFESIONÁLNY KUCHYŇSKÝ ROBOT SO ZDVÍHACOU MISOU O OBJEME 6,9 L

Originálne pokyny

MIXER PROFESIONAL CU SOCLU ŞI BOL DE 6,9 L

Instrucţiuni originale

ПРОФЕССИОНАЛЕН КУХНЕНСКИ РОБОТ С ПОВДИГАЩА СЕ КУПА С ВМЕСТИМОСТ 6,9 L

Оригинални инструкции

Model 5KSM7990*

Innehållsförteckning

SÄKERHETSFÖRESKRIFTER

Viktiga säkerhetsföreskrifter	123
Elektriska krav	124
Avfallshantering av elmaterial	124

DELAR OCH FUNKTIONER..... 125

MONTERING AV DIN KÖKSMASKIN

Montering av din köksmaskin.....	126
Justering av avståndet mellan visp och skål	128

ANVÄNDNING AV DIN KÖKSMASKIN

Användning av tillbehör till KitchenAid	128
Guide för hastighetsinställning - köksmaskin med 10 hastigheter	129

SKÖTSEL OCH RENGÖRING..... 130

TIPS FÖR BRA RESULTAT

Planetarisk blandningsfunktion	131
Blandningstid	131
Användning av köksmaskinen.....	131
Blandningstips.....	131

SERVICE OCH GARANTI

När du behöver service	132
Garanti för professionell köksmaskin från KitchenAid	132
Servicecenter	133
Kundtjänst	133

SÄKERHETSFÖRESKRIFTER

Din och andras säkerhet är mycket viktig.

Vi har lagt in flera säkerhetsföreskrifter i manualen och på din produkt.

Läs och följ alla säkerhetsföreskrifter.



Varningsymbolen ser ut så här.

Den uppmärksammar dig på eventuella risker som kan döda eller skada dig och andra.

Alla säkerhetsmeddelanden finns att hitta efter varningsymboler som innehåller antingen ordet "FARA" eller "VARNING". Dessa ord betyder:

 **FARA**

Du kan dödas eller skadas allvarligt om du inte omedelbart följer instruktionerna.

 **VARNING**

Du kan dödas eller skadas allvarligt om du inte följer instruktionerna.

Alla säkerhetsanvisningar kommer att tala om den eventuella risken för dig, tala om hur risken för skada kan minskas och tala om för dig vad som kan hända om instruktionerna inte följs.

Viktiga säkerhetsföreskrifter

Vid användning av elektriska anordningar ska alltid grundläggande säkerhetsregler följas, bland annat följande:

1. Läs alla instruktioner.
2. Undvik risk för elektriska stötar genom att inte placera köksmaskinen i vatten eller i andra vätskor.
3. Kontrollera att barn inte leker med apparaten.
4. Dra ut Köksmaskinens stickkontakt när maskinen inte används, innan delar monteras eller tas bort samt före rengöring.
5. Undvik kontakt med rörliga delar. Håll händer, hår, kläder liksom degskrapor och andra tillbehör utom räckhåll för vispen när den används för att minska risken för personskador och/eller skador på köksmaskinen.
6. Använd inte köksmaskinen om sladden eller kontakten är skadad eller efter att fel uppstått på köksmaskinen eller om den tappats eller skadats på annat sätt.
7. Användning av tillbehör som inte rekommenderas eller säljs av KitchenAid kan ge upphov till brand, elektriska stötar eller personskador.
8. Använd inte köksmaskinen utomhus.
9. Låt inte sladden hänga över en bordskant eller liknande.
10. Ta bort flatblandaren, ballongvispen eller degkroken från köksmaskinens stativ före diskning.
11. Denna apparat är inte avsedd att användas av personer (inklusive barn) med nedsatt fysisk eller mental förmåga eller brist på erfarenhet och kunskap, om de inte övervakas eller får instruktioner angående användning av apparaten av en person som ansvarar för deras säkerhet.

SPARA DESSA INSTRUKTIONER
DENNA PRODUKT ÄR ENDAST AVSEDD
FÖR PROFESSIONELL ANVÄNDNING

Svenska

Elektriska krav

! VARNING



Risk för elektriska stötar

Använd jordade eluttag.

Ta inte bort jordningen.

Använd inte en adapter.

Använd inte förlängningssladd.

Om inte dessa anvisningar följs kan detta ge upphov till dödsfall, brand eller elektriska stötar.

Spänning: 220-240V
Hertz: 50/60 Hz
Ström: 325 W, rekommenderad drifttid: 1-30 minuter med en arbetscykel på 10-min. PÅ/ 15 min. AV.

OBS: Märkeffekten för din köksmaskin är tryckt på serieplattan, placerad under din köksmaskin.

Använd inte förlängningssladd. Låt behörig elektriker eller servicepersonal installera ett eluttag nära köksmaskinen om sladden är för kort.

Märkeffekten avser användning med det tillbehör som kräver mest effekt. Andra rekommenderade tillbehör kan kräva betydligt lägre effekt.

Denna apparat är försedd med en nätsladd av Y-typ. Om nätsladden är skadad måste den bytas ut av tillverkaren eller av dess servicerepresentant för att förhindra fara.


Den akustiska trycknivån som har uppmätts i enlighet med prEN 454-testkoden är lägre än 70 dBA.

* i modellnumret indikerar ytterligare tecken som betecknar maskinfärg och tekniksiffror för den aktuella modellen (t.ex. 5KSM7990*).

Avfallshantering av elmaterial

Den här produkten är märkt enligt EG- direktivet 2002/96/EC rörande avfall från elektrisk och elektronisk utrustning (Waste Electrical and Electronic Equipment, WEEE).

Genom att säkerställa en korrekt kassering av denna produkt bidrar du till att förhindra potentiella negativa konsekvenser för vår miljö och vår hälsa, som annars kan bli följderna om produkten inte hanteras på rätt sätt.

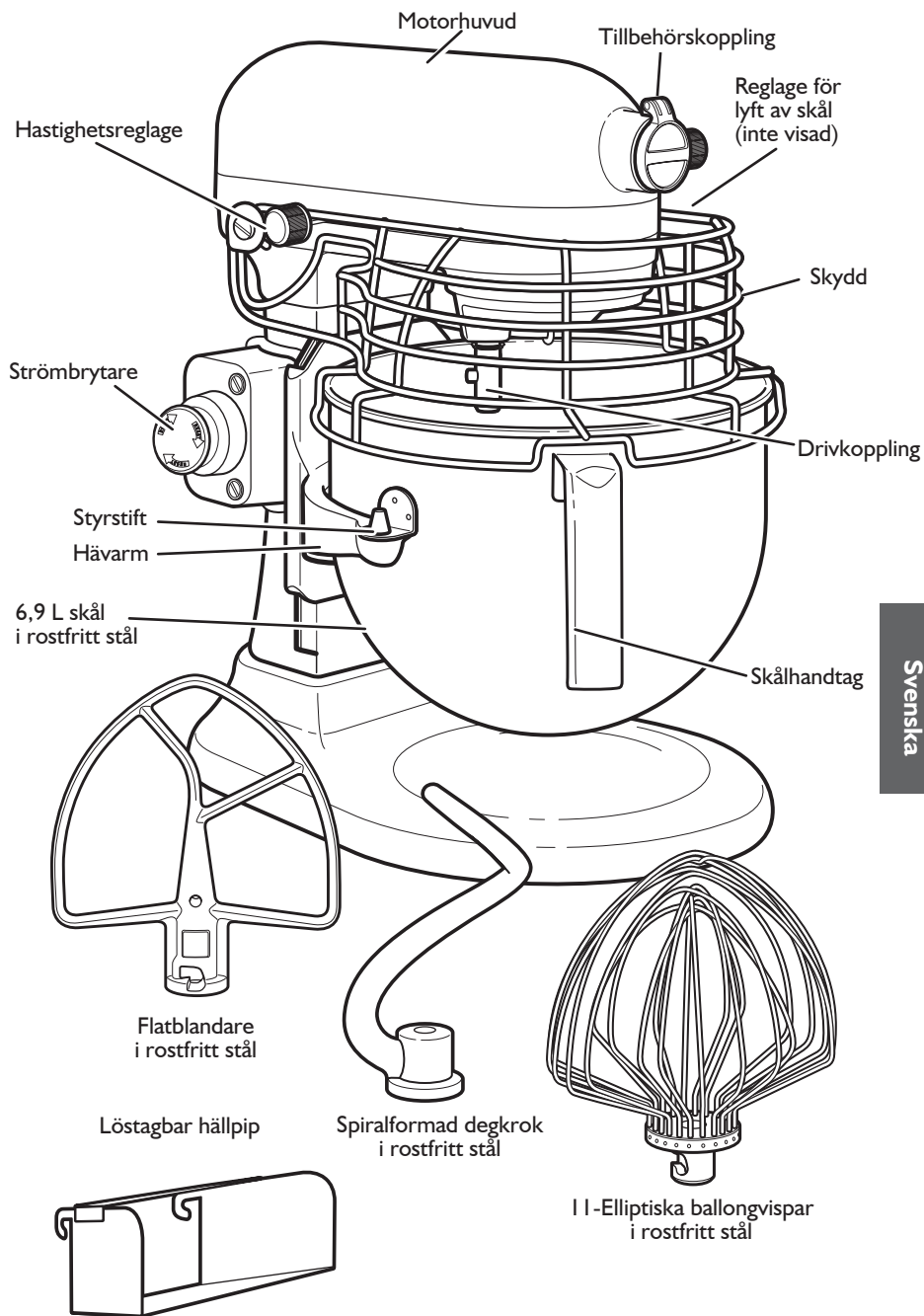
Symbolen  på produkten eller i dokumentationen som medföljer produkten visar att denna apparat inte ska hanteras som hushållsavfall. Den ska

i stället lämnas in på en uppsamlingsplats avsedd för återvinning av elektrisk och elektronisk utrustning.

Avfallshanteringen måste göras enligt lokala miljöföreskrifter.

Mer detaljerad information om hantering, återvinning och återanvändning av denna produkt kan du få från lokala myndigheter, avfallsentreprenör eller från butiken där du köpte produkten.

DELAR OCH FUNKTIONER



Svenska

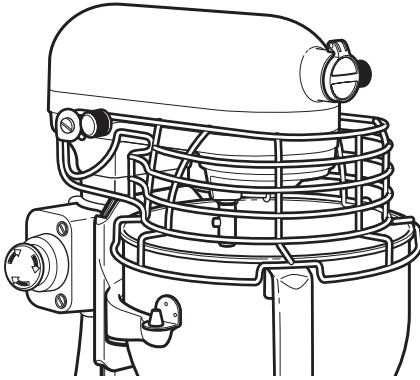
MONTERING AV DIN KÖKSMASKIN

Montering av din köksmaskin

Sätta skålen på plats

1. Sätt hastighetsreglaget till "0" (Avstängd).
2. Dra ut köksmaskinens stickkontakt eller stäng av strömmen.
3. Hög skyddet.
4. Sätt skålens lyftreglage i nedre positionen.
5. Montera skålstöden på styrstiften.
6. Tryck skålens baksida nedåt tills skålstiftet klickar fast i fjäderlåset.

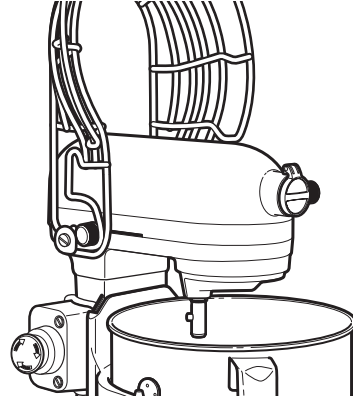
OBS: Om skålen inte säkert fästs på plats är den instabil och kan vingla under användningen.



7. Sänk skyddet.
8. Hög skålen innan blandning.

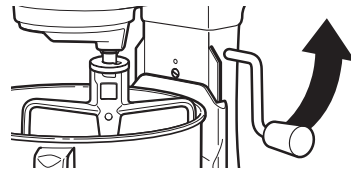
För att ta bort skålen

1. Sätt hastighetsreglaget till "0" (Avstängd).
2. Dra ut köksmaskinens stickkontakt eller stäng av strömmen.
3. Hög skyddet.



4. Sätt skålens lyftreglage i nedre positionen.
5. Ta bort flatblandare, ballongvisp eller degkrok.
6. Ta tag i skålhandtaget och lyft rätt upp och av styrstiften.

För att höja skålen



1. Roterat Reglaget för att lyfta Skålen.
2. Skålen måste alltid måste vara i upphöjt, låst läge när man blandar.

MONTERING AV DIN KÖKSMASKIN

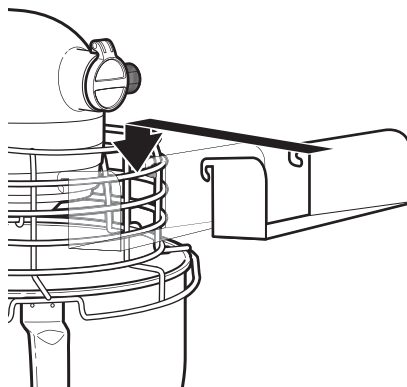
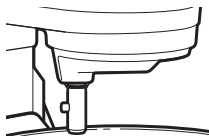
INSTALLATION: Köksmaskinen ska installeras på ett plant och stabilt underlag som t.ex. en bordsskiva eller ett arbetsbord.

För att sänka skålen

1. Roter spaken tillbaka och nedåt.

Montering av flatblandare, ballongvisp eller degkrok.

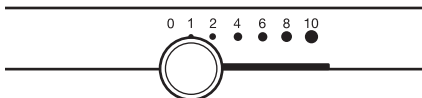
1. Sätt hastighetsreglaget till "0" (Avstängd).
2. Dra ut köksmaskinens stickkontakt eller stäng av strömmen.
3. Hög skyddet.
4. Sätt på flatblandaren på axeln och tryck uppåt så långt som möjligt.
5. Vrid vispen åt höger för att haka fast den över stiftet på axeln.



Borttagning av flatblandare, ballongvisp eller degkrok.

1. Sätt hastighetsreglaget till "0" (Avstängd).
2. Dra ut köksmaskinens stickkontakt eller stäng av strömmen.
3. Hög skyddet.
4. Tryck vispen uppåt så långt som möjligt och vrid åt vänster.
5. Dra bort vispen från drivkopplingen.

Hastighetsreglage



Mjukstartsfunktionen minimerar stänk genom att starta blandaren långsamt innan ökning till den förvalda hastigheten. För att ytterligare minska risken för stänk, ska man alltid börja blanda på hastighet 1, för att sedan gradvist öka till högre hastigheter vid behov. Se avsnittet "Guide för hastighetsinställning".

Löstagbar hållpip

Den löstagbara hållpipen monteras enkelt på framsidan av skyddet enligt bilden ovan. Den gör det möjligt att enkelt tillsätta ingredienser i köksmaskinens skål.

Motorskydd med automatisk återställning

Om köksmaskinen stannar på grund av överbelastning ska du sätta hastighetsreglaget till "0" (OFF) och frångkoppla köksmaskinen från nätströmmen. Efter några minuter återställs köksmaskinen automatiskt. Anslut köksmaskinen igen och sätt hastighetsreglaget till önskad hastighet och fortsätt blanda. Om köksmaskinen inte startar igen ska du frångkoppla köksmaskinen en längre stund för att låta den svalna. Anslut sedan köksmaskinen igen och starta om. Om köksmaskinen inte startar igen se "När du behöver service".

Strömbrytare

Om du måste stoppa köksmaskinen på en gång under användning ska du trycka på strömbrytaren. För att återuppta driften ska du återställa hastighetsreglaget till "0" (OFF), och dra ut strömbrytaren. Då är din köksmaskin åter redo för normal drift.

MONTERING AV DIN KÖKSMASKIN

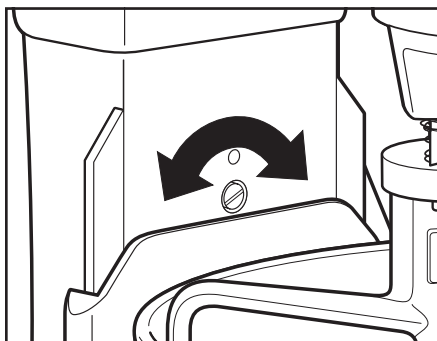
Justering av avståndet mellan visp och skål

Din köksmaskin är fabriksinställd så att flatblandaren nätt och jämt snuddar vid skålens botten. Om flatblandaren av någon orsak slår i skålens botten eller är för långt ifrån skålen så är det enkelt att justera avståndet.

1. Sätt hastighetsreglaget till "0" (Avstängd).
2. Dra ut köksmaskinens stickkontakt eller stäng av strömmen.
3. Höj skyddet.
4. Sänk skålen till den lägre positionen.
5. Vrid höjdjusteringsskruven lätt moturs (åt vänster) för att lyfta flatblandaren och medurs (åt höger) för att sänka flatblandaren.
6. Gör justeringen så att flatblandaren precis går fri från skålens insida.
Om du skruvar för långt, så kan inte skålens lyftreglage låsas i avsett läge.

OBS:När flatblandaren är korrekt inställd så ska den inte slå i skålens botten eller sidor. Om flatblandaren eller ballongvispen är så nära att den slår i skålens botten så kan eventuell beläggning på flatblandaren (för belagda vispar) eller ballongvispen i rostfritt stål slitas ut.

Att skrapa sidorna på skålen kanske är nödvändigt under vissa villkor oavsett anpassningen av vispen. Köksmaskinen måste stoppas för att skrapa skålen annars kan köksmaskinen skadas.



Svenska

ANVÄNDNING AV DIN KÖKSMASKIN

Användning av tillbehör till KitchenAid

Flatblendare för normala till tjocka blandningar (Rekommenderad användningstid är 1-10 minuter, beroende på receptet):

kakor	kex
glasyrer med grädde	scones
godis	köttfärslimpa
småkakor	potatismos
pajbakverk	

Ballongvisp för blandningar som kräver att luft kommer in (Rekommenderad användningstid är 1-30 minuter, beroende på receptet):

ägg	kokade glasyrer
äggvitor	sockerkakor
tjock grädde	majonnäs

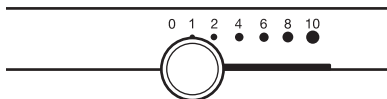
Degkrok för blandning och knådning av jäsdegare (Rekommenderad användningstid är 1-10 minuter, beroende på receptet):

bröd	kaffebröd
bullar	

ANVÄNDNING AV DIN KÖKSMASKIN

Guide för hastighetsinställning - köksmaskin med 10 hastigheter

Alla hastigheter har funktionen Soft Start som automatiskt startar köksmaskinen vid en lägre hastighet för att förhindra att ingredienserna stänker ut och att "mjölpuffar" uppstår vid igångkörningen: sedan ökar hastigheten snabbt till inställd hastighet för optimal prestanda.



Hastighet	Används för	Tillbehör	Beskrivning
1	Omrörning		För långsam omrörning, inblandning, mosning, uppstart av alla uppgifter. Används för att tillsätta mjöl och torra ingredienser till smeten och för att tillsätta vätskor till torra ingredienser. Använd inte hastighet 1 för att blanda eller för att knåda jästdeg.
2	Långsam blandning, knådning		För långsam blandning, mosning, snabbare omrörning. Används för att blanda och knåda jästdeg, tjocka smetar och godis, börja mosa potatis eller grönsaker, blanda matfett i mjöl, blanda tunna eller stänkande smetar.
4	Blandning, vispning		För blandning av halvtjocka smetar, såsom kaksmet. Används för att blanda socker och matfett och för att tillsätta socker till äggvitor för att göra marängar. Medelhastighet för kakmixar.
6	Långsam vispning, gräddsättning		För medelsnabb vispning (gräddsättning) eller snabb vispning. Används för slutbearbetning av kakmixar, munksmet och andra smetar. Hög hastighet för kakmixar.
8-10	Snabb vispning, vispning, hård vispning		För vispgrädd, äggvitor och kokta glasyrer. För vispning av små mängder grädd, äggvitor eller för slutvispning av potatismos.

Svenska

OBS: Använd hastighet 2 för att blanda och knåda jästdeg. Användning av andra hastigheter kan innebära stor risk för fel på köksmaskinen. Degkroken knådar effektivt de flesta jästdeg inom 4 minuter.

Kapacitetsdiagram

	6,9 L skål
Mjöl	2 till 2,2 kg
Bröd	8 bröd á 450g
Småkakor/kex	160 bitar
Potatismos	3,6 kg

SKÖTSEL OCH RENGÖRING

Rostfri skål, flatblandare, ballongvisp, spiralformad degkrok och hällpip kan diskas i diskmaskin. Använd inte rengöringsmedel med ett pH lägre än 5. Eller, rengör dem grundligt i hett diskvatten och skölj av dem fullständigt innan de får torka. Förvara inte vispar på axeln. Köksmaskinen får inte rengöras med högtryckstvätt eller vattenstråle.

! VARNING

RISK FÖR ELEKTRISKA STÖTAR

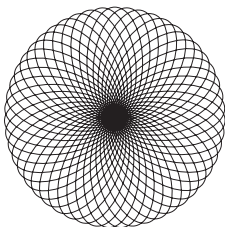
**KOPPLA ALLTID BORT
KÖKSMASKINEN INNNAN
RENGÖRING FÖR ATT UNDVIKA
MÖJLIG ELEKTRISK STÖT.**

Torka av köksmaskinen med en mjuk, fuktig trasa. **SÄNK INTE NER DEN I VATTEN.** Torka ofta av vispaxeln för att ta bort alla rester som kan ansamlas.

TIPS FÖR BRA RESULTAT

Planetarisk blandningsfunktion

Under drift rör sig flatblandaren runt i den fasta skålen och roterar samtidigt åt andra hållet runt sin egen axel. I diagrammet visas hela rörelseomfånget som vispen täcker i skålen.



Modellen 5KSM7990 är typmärkt för 500 Watt och använder en DC-motor. Det är en tyst och mycket effektiv motor, som kombineras med ett direkt drivet överföringssystem: som gör det möjligt att driva 1,3 Hk vid topp effekt (ut effekt), vilket möjliggör ett snabbt och enastående resultat även med tunga degar.

Blandningstid

Din köksmaskin från KitchenAid blandar snabbare och noggrannare än de flesta andra elektriska vispar. Därför måste blandningstiden i de flesta recept minskas för att förhindra alltför hård blandning. För att hjälpa till att åstadkomma den ideala blandningstiden, se på smeten eller degen och sluta blanda när den har den konsistens som står i receptet som till exempel "smidig och krämig". För att välja de bästa blandningshastigheterna, använd avsnittet "Guide för hastighetsinställning".

Användning av köksmaskinen

⚠ VARNING

RISK FÖR PERSONSKADA

För att undvika personskada och skada på vispen, försök inte att skrapa skålen medan köksmaskinen arbetar; stäng av köksmaskinen. Om skrapan eller något annat objekt ramlar ner i skålen, STÅNG AV motorn först innan du tar bort föremålet.

Skålen och vispen är konstruerade för att blanda ordentligt utan att kräva ständig skrapning. Skrapning av skålen en eller två gånger under blandning räcker oftast.

Köksmaskinen kan bli varm under drift. Under tungt arbete med långa blandningstider kan det vara obehagligt att röra maskinens överdel. Detta är normalt.

Blandningstips

Tillsättning av ingredienser

Tillsätt alltid ingredienserna så nära skålens kant som möjligt, inte direkt på den rörliga vispen. Hällpipen kan användas för att förenkla tillsättandet av ingredienserna. Använd hastighet 1 tills ingredienserna har blandat sig. Öka sedan gradvis till önskad hastighet.

Tillsättning av nötter, russin och torkad frukt

Följ de individuella receptens riktlinjer på att inkludera dessa ingredienser. Fasta ingredienser ska blandas i under de sista sekundernas blandning på hastighet 1. Smeten bör vara tillräckligt tjock för att förhindra att frukten eller nötterna sjunker till botten i formen under gräddningen. Klubbiga frukter bör mjölas in för att lättare blandas in i smeten.

Flytande blandningar

Blandningar med stora mängder flytande ingredienser bör blandas vid lägre hastigheter för att undvika stänk. Öka hastigheten först när blandningen har tjocknat.

OBS: Om ingredienserna allra längst ner i skålen inte blandas ordentligt är inte vispen tillräckligt långt ner i skålen. Se avsnittet för "Montering av din köksmaskin".

SERVICE OCH GARANTI

När du behöver service

⚠ VARNING



Risk för elektriska stötar
Dra ur kontakten före underhåll.
Det föreligger annars risk för elektriska stötar eller livsfara.

Var vänlig och läs följande innan du ringer ditt servicecenter.

1. Köksmaskinen kan bli varm under drift. Under tungt arbete med långa blandningstider kan det vara obehagligt att röra maskinens överdel. Detta är normalt.

2. Köksmaskinen kan avge en stickande lukt, särskilt när den är ny. Detta är vanligt för elektriska motorer.
3. Stanna köksmaskinen om flatblandaren slår i skålen. Se avsnittet för "installation av din köksmaskin".

Om det blir fel på köksmaskinen eller om den inte fungerar kontrolleras följande:

- Sitter köksmaskinens kontakt i uttaget?
- Är säkringen för köksmaskinens uttag hel? Se till att kretsens huvudbrytare är tillslagen, om sådan finns.
- Har strömbrytaren dragits ut?
- Stäng av köksmaskinen under 10 till 15 sekunder och sätt sedan på den igen. Om köksmaskinen fortfarande inte startar låter du den svalna under 30 minuter innan du sätter på den igen.
- Om problemet inte beror på någon av ovanstående saker, se avsnittet för "Servicecenter".

Svenska

Garanti för professionell köksmaskin från KitchenAid

Garantis giltighetstid:	KitchenAid kommer att betala för:	KitchenAid betalar inte för:
Europa, Australien och Nya Zeeland: För den professionella köksmaskinen 5KSM7990: Heltäckande ett års garanti från inköpsdatum.	Reservdelar och arbetskostnader för reparation av fel i material eller utförande. All service måste utföras av ett auktoriserat KitchenAid servicecenter.	Skador orsakade av olyckshändelse, ändringar, felaktig användning, missbruk eller installation/ användning som inte skett i enlighet med lokala elföreskrifter.

KITCHENAID TAR INGET ANSVAR FÖR INDIREKTA SKADOR.

SERVICE OCH GARANTI

Servicecenter

All service bör skötas lokalt av ett auktoriserat KitchenAid servicecenter. Kontakta återförsäljaren för enheten för att få namnet på närmaste auktoriserade KitchenAid servicecenter.

El & Digital

Ringvägen 17
118 53 STOCKHOLM
08-845180

Caricon Electric

Odinsplatsen 9
411 02 GÖTEBORG
0700-906591

Rakspecialisten

Möllevångsgatan 34
214 20 MALMÖ
040-120770

Kundtjänst

SEBASTIAN AB

Österlånggatan 41/Box 2085
S-10312 STOCKHOLM
Tel: 08-555 774 00

www.KitchenAid.eu

Svenska



Technology Center
303 Upton Drive, St. Joseph, MI 49085-1175

**EU – DECLARATION OF CONFORMITY
CE-DECLARATION DE CONFORMITE**

We: WHIRLPOOL CORPORATION, 303 UPTON DR., ST. JOSEPH, MI 49085, USA
Representing: WHIRLPOOL EUROPE S.r.l I-21025 COMERIO

Declare under sole responsibility that the product:

KitchenAid™ Stand Mixers: Model 5KSM79XX+

Where:

XX = up to 2 alphanumeric characters, which represents the features, distributor code and/or color

+ = May or may not be followed by five or more digit suffix codes to indicate change in aesthetics

to which this declaration relates, is in conformity with the following standard(s) or other normative document(s):

Svenska

- IEC 60335-1: Ed.5: 2010**
- IEC 60335-2-64: Edition 3.1 2008-03**
- EN 55014-1:2006 + A1:2009**
- EN 55014-2:1997 + A1:2001 + A2:2008**
- EN 61000-3-2:2006 + A1:2009 + A2:2009**
- EN 61000-3-3:2008**
- EN 62233:2008**

The model listed conforms to the provisions of Directive (s):

- | | |
|---------------------|---|
| 2004/108/EC | ELECTROMAGNETIC COMPATABILITY DIRECTIVE |
| 2006/95/EC | LOW VOLTAGE DIRECTIVE |
| 2006/42/EC | MACHINERY DIRECTIVE |
| 10/2011/EU | PLASTIC MATERIALS INTENDED TO CONTACT FOOD |
| 1935/2004/EC | MATERIALS INTENDED TO CONTACT FOOD |

Place and Date:
Saint Joseph, MI, USA
30 January, 2012

Represented by:

Mark Dahmer
Engineering Director
KitchenAid Portable Appliances Division



FOR THE WAY IT'S MADE.

© 2012. Med ensamrätt.
Specifikationerna kan ändras utan föregående meddelande.

KitchenAid

6.9 L PROFESSIONAL BOWL-LIFT STAND MIXER

Original Instructions

KÜCHENMASCHINE MIT SCHÜSSELHEBER UND 6,9 L SCHÜSSEL FÜR DEN GEWERBLICHEN EINSATZ

Originalanleitungen

ROBOT SUR SOCLE PROFESSIONNEL À BOL RELEVABLE DE 6,9 L

Instructions d'origine

ROBOT DA CUCINA PROFESSIONALE CON SOLLEVAMENTO CIOTOLA DA 6,9 L

Istruzioni originali

6,9 L PROFESSIONELE MIXER/KEUKENROBOT MET IN DE HOOGTE VERSTELBARE KOM

Originele instructies

BATIDORA PROFESIONAL DE PIE CON BOL ELEVABLE DE 6,9 L

Instrucciones originales

BATEDEIRA PROFISSIONAL COM SUPORTE PARA TAÇA DE 6,9 L

Instruções originais

ΕΠΑΓΓΕΛΜΑΤΙΚΟ ΜΙΞΕΡ ΜΕ ΒΑΣΗ ΚΑΙ ΥΠΕΡΥΨΩΜΕΝΟ ΜΠΟΛ 6,9 L

Αρχικές οδηγίες

6,9 L PROFESSIONELL KÖKSMASKIN MED SKÅL PÅ HÄVARM

Originalinstruktioner

6,9 L BOLLELØFTENDE KJØKKENMASKIN

Originale instruksjoner

6,9 L AMMATIKÄYTTÖÖN TARKOITETTU YLEISKONE

Alkuperäiset ohjeet

6,9 L PROFESSIONEL KØKKENMASKINE MED SKÅLLØFT

Originale Instruktioner

6,9 L BORDHRÆRIVÉL MED LYFTANLEGRI SKÁL FYRIR FAGFÓLK

Upphaflegar leiðbeiningar

ПРОФЕССИОНАЛЬНЫЙ МИКСЕР СО СЪЕМНОЙ ЧАШЕЙ 6,9 Л

Оригинальные инструкции

PROFESJONALNY MIKSER STOJĄCY Z PODNOSZONĄ DZIEŻĄ 6,9 L

Originalna instrukcja

PROFESIONÁLNÍ KUCHYŇSKÝ ROBOT SE ZVEDACÍ MÍSOU O OBJEMU 6.9 L

Originální pokyny

PROFESIONÁLNY KUCHYŇSKÝ ROBOT SO ZDVÍHACOU MISOU O OBJEME 6,9 L

Originálne pokyny

MIXER PROFESIONAL CU SOCLU ŞI BOL DE 6,9 L

Instrucţiuni originale

ПРОФЕССИОНАЛЕН КУХНЕНСКИ РОБОТ С ПОВДИГАЩА СЕ КУПА С ВМЕСТИМОСТ 6,9 L

Оригинални инструкции

Model 5KSM7990*

Innholdsfortegnelse

SIKKERHET VED BRUK AV KJØKKENMASKIN

Viktige forholdsregler.....	138
Krav til strømforsyning.....	139
Kassering av elektriske artikler.....	139

DELER OG FUNKSJONER 140

KLARGJØRING AV KJØKKENMASKINEN

Montering av kjøkkenmaskinen	141
Juster vispen slik at den ikke berører bollen	143

BRUK AV KJØKKENMASKINEN

Bruk av tilbehør til KitchenAid	143
Hastighetskontrollveiledning - 10-trinns kjøkkenmaskin	144

VEDLIKEHOLD OG RENGJØRING 145

TIPS FOR GODE RESULTATER

Planetblandebevegelse	146
Blandetid	146
Bruk av kjøkkenmaskin	146
Blandetips.....	146

SERVICE OG GARANTI

Når du trenger service.....	147
Garanti for den profesjonelle kjøkkenmaskinen KitchenAid med bolleløft.....	147
Servicesentre.....	148
Kundeservice.....	148

Norsk

SIKKERHET VED BRUK AV KJØKKENMASKIN

Din og andres sikkerhet er svært viktig.

Vi har satt inn en rekke sikkerhetanvisninger i denne bruksanvisningen og på utstyret. Les alltid sikkerhetsanvisningene og følg dem nøye.



Dette er varselsymbollet.

Dette symbolet gjør deg oppmerksom på mulige farer som kan ta livet av eller skade deg eller andre.

Alle sikkerhetsanvisninger følger etter varselsymbollet og ordet "FARE" eller "ADVARSEL". Disse ordene betyr:

 **FARE**

Du kan dø eller bli alvorlig skadet hvis du ikke umiddelbart følger anvisningene.

 **ADVARSEL**

Du kan dø eller bli alvorlig skadet hvis du ikke følger anvisningene.

Alle sikkerhetsanvisninger angir hvilken potensiell fare det gjelder, hvordan du reduserer risikoen for skade, og hva som kan skje hvis du ikke følger instruksjonene.

Viktige forholdsregler

Grunnleggende forholdsregler skal alltid etterfølges ved bruk av elektriske apparater, inkludert følgende:

1. Les gjennom alle instruksjoner.
2. For å beskytte deg mot elektrisk støt, sett aldri kjøkkenmaskinen i vann eller andre væsker.
3. Barn bør passes på for å sikre at de ikke leker med apparatet.
4. Trekk ut kjøkkenmaskinens stikkontakt når den ikke er i bruk, før du setter på eller tar av deler og før rengjøring.
5. Unngå kontakt med deler i bevegelse. Hold hender, hår og klær, så vel som slikkepottes og andre hjelpemidler, borte fra bakevispen når den er i drift for å redusere faren for personskade og/eller skade på kjøkkenmaskinen.
6. Ikke bruk kjøkkenmaskinen hvis ledningen eller støpselet er ødelagt, eller hvis den har falt ned eller er blitt skadet på annen måte.
7. Bruk av tilbehør som ikke anbefales eller selges av KitchenAid kan føre til brann, elektrisk støt eller skade.
8. Ikke bruk kjøkkenmaskinen utendørs.
9. Ikke la ledningen henge over kanten på bord eller benk.
10. Fjern flatvispen, den rustfrie vispen eller spiraleltekroken fra kjøkkenmaskinen før de vaskes.
11. Denne maskinen er ikke laget for å brukes av personer (inkludert barn) med reduserte fysiske, sensoriske eller mentale evner, eller uten nødvendig erfaring og kunnskap, med mindre de er under tilsyn eller har fått opplæring i bruk av maskinen av en person med ansvar for deres sikkerhet.

TA VARE PÅ BRUKSANVISNINGEN
DETTE PRODUKTET ER KUN BEREGNET
FOR PROFESJONELL BRUK

SIKKERHET VED BRUK AV KJØKKENMASKIN

Krav til strømforsyning

ADVARSEL



Fare for elektrisk støt

Koble til jordet kontakt.

Jordingsspydet må ikke fjernes.

Ikke bruk adapter.

Ikke bruk skjøteledning.

Hvis dette ikke gjøres kan det føre til død, brann eller elektrisk støt.

Volt: 220-240 A.C.

Hertz: 50/60 Hz

Effekt: 325 W. Anbefalt driftstid: 1-30 min. med en arbeidssyklus på 10 min. PÅ/15 min. AV.

MERK: Kjøkkenmaskinens nominelle effekt er trykket på serieplaten på kjøkkenmaskinens underside.

Ikke bruk skjøteledning. Hvis strømledningen er for kort, bør du kontakte en godkjent elektriker eller servicetekniker for å installere en stikkontakt i nærheten av apparatet.

Strømforbruket avgjøres av tilbehøret som bruker mest strøm. Annet anbefalt tilbehør kan trekke betydelig mindre strøm.

Dette produktet leveres med en strømledning av Y-type. Hvis strømledningen blir skadet, må den skiftes ut av produsenten eller et serviceverksted for å unngå fare.


Det akustiske trykknivået målt i overensstemmelse med prEN 454-testkode er mindre enn 70 dBA.

En * i modellnummeret angir ekstra tegn som betegner maskinfarge og tekniske tall for den faktiske modellen (f.eks. 5KSM7990*).

Kassering av elektriske artikler

Dette apparatet er merket i samsvar med EU-direktiv 2002/96/EC om kassering av elektrisk og elektronisk utstyr (Waste Electrical and Electronic Equipment - WEEE).

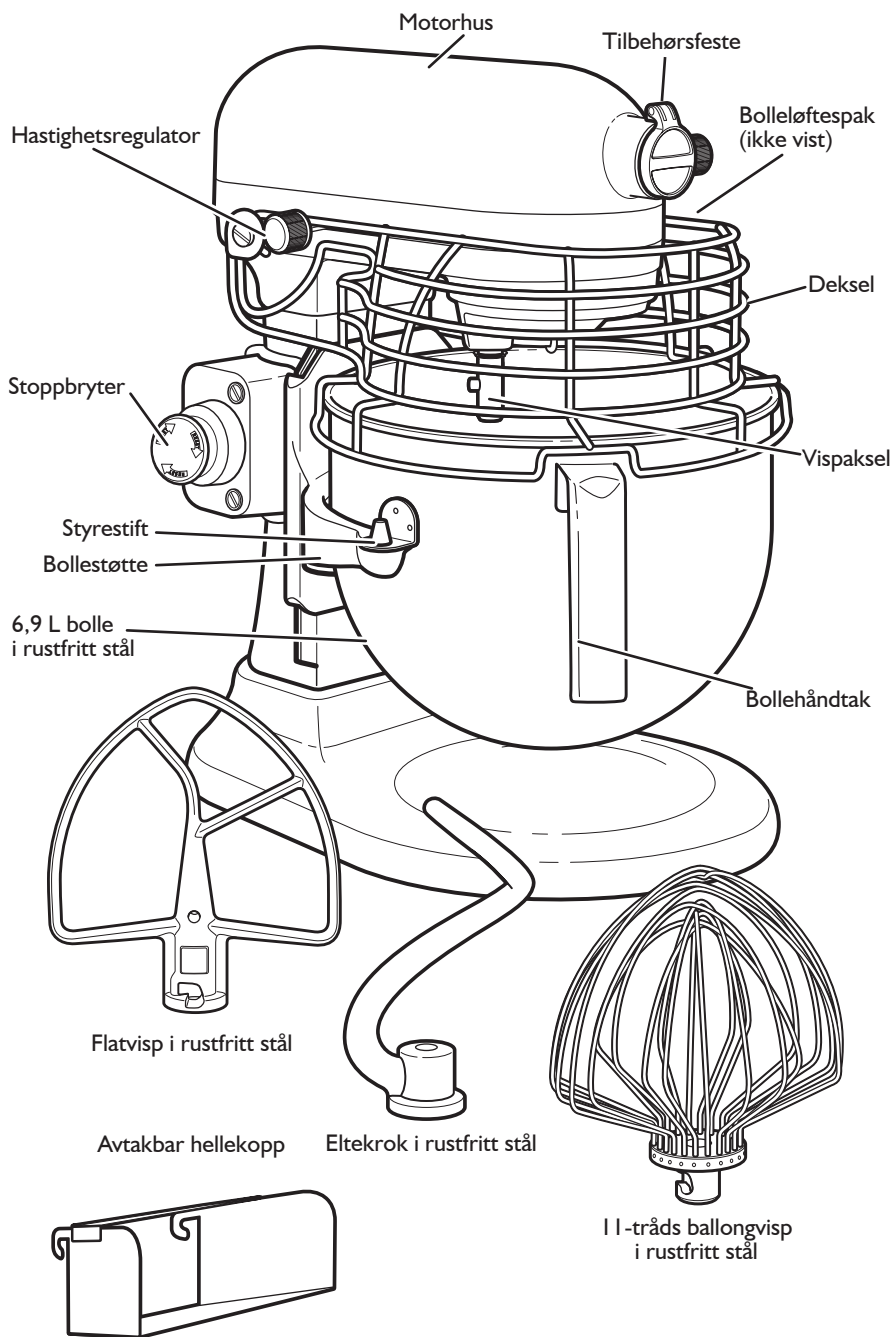
Forsikre deg om at dette produktet blir kassert på korrekt vis, slik at det ikke kan utgjøre noen helse- eller miljørisiko.

Symbolet  på produktet eller i dokumentene som følger med produktet viser at dette apparatet ikke kan behandles som husholdningsavfall. Lever det til et autorisert mottak for resirkulering av elektrisk og elektronisk utstyr.

Kassering må skje iht. lokale renovasjonsforskrifter.

For nærmere informasjon om håndtering, kassering og resirkulering av dette produktet, kontakt kommunen, renovasjonsvesenet eller forretningen der du anskaffet det.

DELER OG FUNKSJONER



Norsk

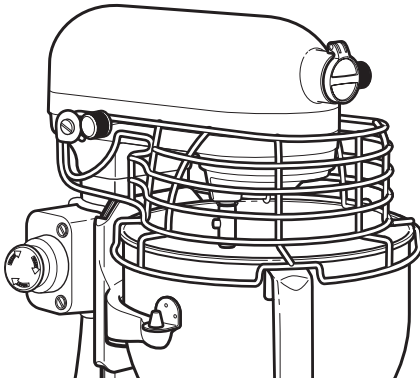
KLARGJØRING AV KJØKKENMASKINEN

Montering av kjøkkenmaskinen

Montering av bollen

1. Drei hastighetsbryteren til "0" (AV)
2. Trekk ut kontakten eller slå av strømmen.
3. Løft dekselet.
4. Trykk bolleløftespaken ned.
5. Tilpass bollestøttene til styrestiftene.
6. Press ned bak på bollen til bollestiften festes i smekklåsen.

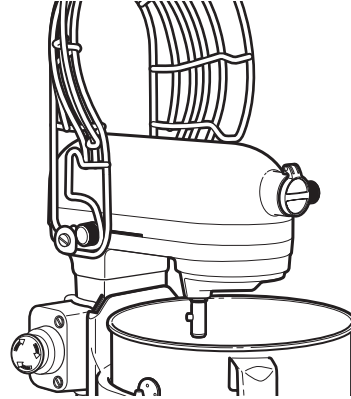
MERK: Hvis bollen ikke er godt festet og klikkelyd høres, vil den bli ustabil og slingre ved bruk.



7. Senk dekselet.
8. Løft bollen før bruk.

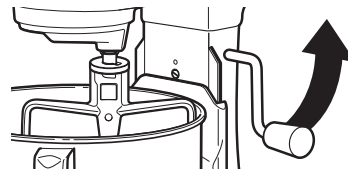
Demontering av bollen

1. Drei hastighetsbryteren til "0" (AV)
2. Trekk ut kontakten eller slå av strømmen.
3. Løft dekselet.
4. Trykk bolleløftespaken ned.



5. Demontering av flatvisp, ballongvisp og eltekrok.
6. Grip bollens håndtak og løft den rett opp slik at den løsner fra styrespakene.

For å løfte bollen



1. Roter spaken mot klokken til den står rett opp.
2. Bollen må alltid være låst i løftet posisjon ved blanding.

KLARGJØRING AV KJØKKENMASKINEN

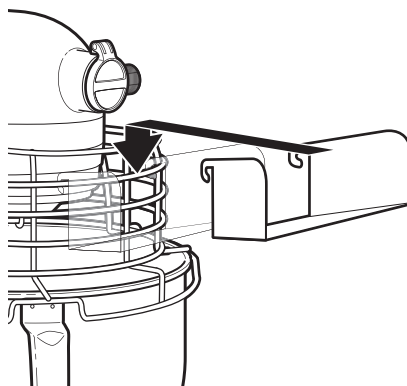
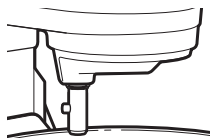
INSTALASJON: Kjøkkenmaskinen skal installeres på en jevn og stabil overflate, som en disk eller en arbeidsbenk.

For å senke bollen

1. Roter spaken tilbake og nedover.

Montering av flatvisp, ballongvisp og eltekrok

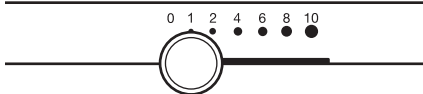
1. Drei hastighetsbryteren til "0" (AV)
2. Trekk ut kontakten eller slå av strømmen.
3. Løft dekkelet.
4. Skyv vispen inn på vispeakselen og trykk oppover så langt som mulig.
5. Vri vispen til høyre slik at vispen er plassert over stiften på akselen.



Demontering av flatvisp, ballongvisp og eltekrok

1. Drei hastighetsbryteren til "0" (AV)
2. Trekk ut kontakten eller slå av strømmen.
3. Løft dekkelet.
4. Trykk vispen oppover så langt som mulig og vri den til venstre.
5. Trekk vispen fra vispeakselen.

Hastighetsregulator



Soft Start-funksjonen begrenser spruting ved å starte kjøkkenmaskinen langsomt før den øker til den valgte hastigheten. Ved å alltid begynne med hastighet 1, for så å gradvis øke hastigheten, kan du begrense spruting ytterligere. Se "Hastighetskontrollveiledning".

Avtakbar hellekopp

Den avtakbare hellekoppen er enkel å montere på fronten av dekkelet, som vist på illustrasjonen ovenfor. Den gjør det enkelt å tilføre ingredienser i kjøkkenmaskinbollen.

Auto-tilbakestill motor-beskyttelse

Hvis kjøkkenmaskinen stopper pga. overbelastning, dreier du hastighetsbryteren til "0" (AV) og trekker ut kontakten. Etter et par minutter vil kjøkkenmaskinen automatisk tilbake stille seg. Sett i kontakten igjen, drei hastighetsbryteren til ønsket hastighet og fortsett bruken. Hvis kjøkkenmaskinen ikke starter på nytt igjen, trekker du ut kontakten en lenger periode slik at den kan kjøle seg ned, setter i kontakten igjen og starter kjøkkenmaskinen. Hvis kjøkkenmaskinen ikke starter igjen, se "Når du trenger service".

Stoppbryter

Hvis du må stanse kjøkkenmaskinen umiddelbart under bruk, trykk inn stoppbryteren. For å fortsette operasjonen, tilbake still hastighetsbryteren til "0" (AV) og trekk ut stoppbryteren. Nå er kjøkkenmaskinen klar til normalt bruk igjen.

KLARGJØRING AV KJØKKENMASKINEN

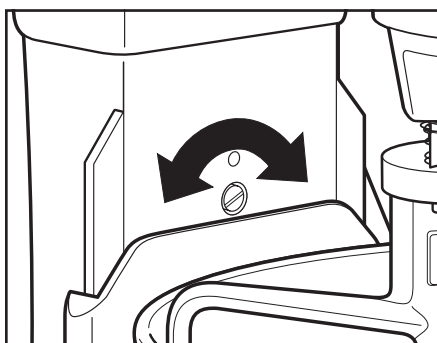
Juster vispen slik at den ikke berører bollen

Kjøkkenmaskinen er justert på fabrikken slik at flatvispen akkurat går klar av bunnen i bollen. Dersom flatvispen av en eller annen grunn skulle berøre bunnen i bollen eller er for langt fra bunnen, er det enkelt å korrigere avstanden.

1. Drei hastighetsbryteren til "0" (AV).
2. Trekk ut kontakten eller slå av strømmen.
3. Løft dekselet.
4. Senk bollen slik at den er trykket ned.
5. Vri skruen for justering av vispens høyde litt mot klokken (venstre) for å heve flatvispen, eller med klokken (høyre) for å senke den.
6. Still inn flatvispen slik at den så vidt ikke berører bollens overflate.
Hvis du justerer skruen for mye, er det ikke sikkert bollens løftespike låses på plass.

MERK: Når den er riktig justert, vil ikke flatvispen slå mot bollens bunn eller side. Hvis flatvispen eller ballongvispen i rustfritt stål slår mot bunnen i bollen, kan det bli slitt av belegg på K-vispen (for belagte visper) eller slite på trådene på ballongvispen i rustfritt stål.

Det kan være nødvendig under enkelte forhold å skrape siden av bollen, uansett hvordan vispen er stilt inn. Kjøkkenmaskinen må stanses før skrapping av bollen, ellers kan maskinen skades.



BRUK AV KJØKKENMASKINEN

Bruk av tilbehør til KitchenAid

Flatvisp for normale til tunge blandinger (We anbefaler at du bruker 1–10 minutter, avhengig av oppskriften):

kaker	kjeks
glasurer	hurtigbrød
desserter	kjøttpudding
småkaker	potetmos
paideig	

Visp for blandinger som skal ha blandet inn luft (We anbefaler at du bruker 1–30 minutter, avhengig av oppskriften):

egg	kokt glasur
eggehviter	sukkerbrød
tykk krem	majones

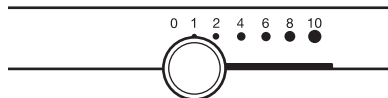
Eltrok for blanding og elting av gjærdeig (We anbefaler at du bruker 1–10 minutter, avhengig av oppskriften):

brød	wienerbrød
rundstykker	boller

BRUK AV KJØKKENMASKINEN

Hastighetskontrollveiledning - I0-trinns kjøkkenmaskin

Alle hastighetene har Soft Start-funksjon som automatisk starter kjøkkenmaskinen på en lavere hastighet for å unngå at ingrediensene spruter ut og tørre ingredienser blåses opp når maskinen starter, for deretter å raskt øke hastigheten til det som er valgt.



Hastighet	Brukes til	Tilbehør	Beskrivelse
1	Røre		For sakte røring, kombinering, mosing, oppstart av alle blandeprosedyrer. Bruk til å blande inn mel og tørre ingredienser i røre, og for å blande væske inn i tørre ingredienser. Ikke bruk hastighet 1 til å blande eller elte gjærdeig.
2	Sakte blande, elte		For sakte blanding, mosing, raskere røring. Bruk til å blande og kna gjærdeig, tunge rører og desserter, starte mosing av poteter eller andre grønnsaker, blande smør eller fett inn i mel, blande tynne eller sprutende rører.
4	Blande, vispe		For blanding av halvtunge rører, som f.eks. småkaker. Bruk den til å blande sukker og fett og til å tilsette sukker til eggehviter for marengs. Middels hastighet til kakeblanding.
6	Visping, kremvisping		For middels rask pisking (kremfløte) eller visping. Bruk den for å avslutte en kakeblanding, smultringer og annen type røre. Høy hastighet for kakeblanding.
8-10	Rask visping, skumvisping, rask skumvisping		For pisking av krem, eggehviter og kokte kakeglasurer. For pisking av små mengder krem, eggehviter eller til avsluttende pisking av potetmos.

Norsk

MERK: Bruk hastighet 2 for å blande eller kna gjærdeig. Hvis det brukes andre hastigheter er det betydelig fare for at maskinen ødelegges. Spiraleltækroken PowerKnead elter de fleste gjærdeiger effektivt på 4 minutter.

Kapasitetsoversikt

	6,9 L bolle
Mel	2 til 2.2 kg
Brød	8 brød á 450g
Småkaker/kjeks	160 stykker
Potetmos	3.6 kg

VEDLIKEHOLD OG RENGJØRING

Bollen i rustfritt stål, flatvispen, ballongvispen i rustfritt stål, eltekroken og hellesjakten kan vaskes i oppvaskmaskin. Ikke bruk rengjøringsmidler med en lavere pH-verdi enn 5. Eventuelt kan de renses grundig i varmt såpevann og skylles godt før tork. Ikke oppbevar vispene på maskinen. Kjøkkenmaskinen skal ikke rengjøres med vannstråle eller spyleslange.

ADVARSEL

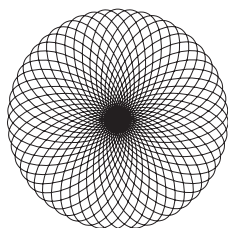
FARE FOR ELEKTRISK STØT
SØRG ALLTID FOR Å FRAKOPLE
MIKSEREN FØR DEN RENGJØRES
FOR Å UNNGÅ ELEKTRISK STØT.

Tørk mikseren med en fuktig
klut. IKKE SENK NED I VANN.
Tørk vispakselen ofte for å fjerne
rester som kan samle seg opp.

TIPS FOR GODE RESULTATER

Planetblandebevegelse

Når maskinen går, beveger flatvispen seg omkring i den stillestående bollen, samtidig som den beveger seg i motsatt retning om sin egen akse.



Diagrammet viser hvordan flatvispens bevegelse dekker bollens areal.

5KSM7990 er klassifisert 500 Watt og bruker en likestrømsmotor. Dette er en stillegående og svært effektiv motor, kombinert med et direktestyrt transmisjonssystem : dette gjør det mulig å drive 1,3 hestekrefter ved maksimal effekt (avgitt motorkraft), som muliggjør raske og fremragende blanderesultater, selv med tung deig.

Blandetid

Kjøkkenmaskinen KitchenAid blander raskere og mer grundig enn de fleste andre kjøkkenmaskiner. Derfor bør blandetiden i de fleste oppskrifter tilpasses for å unngå overblanding.

For å finne ideell blandetid bør du observere røren eller deigen og kun blande til den har oppnådd ønsket konsistens som angitt i oppskriften du bruker, som "jevn og kremaktig". Bruk avsnittet "Hastighetskontrollveiledning" for å finne de beste blandingshastighetene.

Bruk av kjøkkenmaskin

! ADVARSEL

FARE FOR PERSONSKADE

For å unngå personskade og skade på vispen må du ikke forsøke å skrape bollen mens mikseren er i gang; skru mikseren av. Hvis skraperen eller en annen gjenstand faller ned i bollen må motoren skrus AV før gjenstanden fjernes.

Bollen og vispen er konstruert for å sikre grundig blanding uten at det må skrapes ofte. Skraping av bollen én eller to ganger under blandeprosessen er som oftest tilstrekkelig.

Kjøkkenmaskinen kan bli varm under bruk. Når den går med stor belastning over lang tid kan det være ubehagelig å berøre toppen av maskinen. Dette er normalt.

Blandetips

Blande inn ingredienser

Bland alltid inn ingredienser så nært kanten av bollen som mulig, ikke direkte på vispen i bevegelse. Hellekoppen kan brukes for å gjøre det enklere å tilsette ingrediensene. Bruk hastighet 1 til ingrediensene er blandet sammen. Øk så gradvis til ønsket hastighet.

Blande inn nøtter, rosiner eller kandiserte frukter

Følg egne oppskrifter for veiledning om hvordan disse ingrediensene skal blandes inn. Generelt bør faste ingredienser røres inn de siste få sekundene på Hastighet 1. Røren bør være tykk nok til å forhindre at frukt eller nøtter synker til bunnen av pannen under steking. Klebrige frukter bør drysses med mel for at de skal bli bedre fordelt i røren.

Flytende blandinger

Blandinger som inneholder store mengder av flytende ingredienser bør blandes på lave hastigheter for å unngå sprut. Øk hastigheten først etter at blandingen har tyknet.

MERK: Hvis ingrediensene i bunnen av bollen ikke er skikkelig blandet betyr det at vispen ikke er langt nok nede i bollen. Se avsnittet "Klargjøring av kjøkkenmaskinen".

SERVICE OG GARANTI

Når du trenger service

⚠ ADVARSEL



Fare for elektrisk støt

Trekk ut stikkkontakten før servicearbeid utføres.

Hvis dette ikke gjøres kan det føre til død eller elektrisk støt.

Les følgende før du kontakter ditt servicesenter.

1. Kjøkkenmaskinen kan bli varm under bruk. Når den går med stor belastning over lang tid, kan det være ubehagelig å berøre toppen av maskinen. Dette er normalt.

2. Kjøkkenmaskinen kan avgi en skarp lukt, spesielt når den er ny. Dette er normalt for elektriske motorer.
3. Hvis flatvispen treffer bollen, stans kjøkkenmaskinen. Se avsnittet "Klargjøring av kjøkkenmaskinen".

Hvis kjøkkenmaskinen fungerer dårlig eller ikke starter, kontroller dette først:

- Er ledningen til kjøkkenmaskinen koblet til?
- Er sikringen i strømkursen som kjøkkenmaskinen er koblet til i orden? Hvis du har en overbelastningsbryter, kontroller at kretsen er lukket.
- Er stoppbryteren trukket ut?
- Slå av kjøkkenmaskinen i 10-15 sekunder, og slå den på igjen. Hvis maskinen fremdeles ikke starter, la den kjøle seg ned i 30 minutter før du slår den på igjen.
- Hvis problemet ikke skyldes noen av punktene over, se avsnittet "Servicesentre".

Garanti for den profesjonelle kjøkkenmaskinen KitchenAid med bolleløft

Garantiens lengde:	KitchenAid betaler for:	KitchenAid betaler ikke for:
Europa, Australia og New Zealand: For den profesjonelle kjøkkenmaskinen 5KSM7990: Ett års full garanti fra kjøpsdato.	Reservedeler og reparasjonsarbeidskostnader for å korrigere defekter i materialer eller utførelse. Servicen må utføres av et serviceverksted som er autorisert av KitchenAid.	Skade som er resultat av uhell, endringer, feil bruk, mislighet eller installasjon/drift som ikke er i overensstemmelse med lokale elektrisitetstetsforskrifter.

Norsk

KITCHENAID PÅTAR SEG IKKE ANSVAR FOR INDIREKTE SKADE.

SERVICE OG GARANTI

Servicesentre

All service bør utføres lokalt av et servicesenter som er autorisert av KitchenAid. Kontakt forhandleren som du kjøpte maskinen fra for å få navnet på ditt nærmeste servicesenter som er autorisert av KitchenAid.

ServiceCompaniet AS:

Gladengveien 8

0661 Oslo

NORWAY

Tlf: +47 2389 7266

Fax: +47 2268 5400

Contact person: John K. Skaar

john@servicecompaniet.no

Kundeservice

Norsk Importør:

HOWARD AS:

Hansteensgate 12

0253 OSLO

Tel: 23 08 41 30

Norsk

www.KitchenAid.no

www.KitchenAid.eu



Technology Center
303 Upton Drive, St. Joseph, MI 49085-1175

**EU – DECLARATION OF CONFORMITY
CE-DECLARATION DE CONFORMITE**

We: WHIRLPOOL CORPORATION, 303 UPTON DR., ST. JOSEPH, MI 49085, USA
Representing: WHIRLPOOL EUROPE S.r.l I-21025 COMERIO

Declare under sole responsibility that the product:

KitchenAid™ Stand Mixers: Model 5KSM79XX+

Where:

XX = up to 2 alphanumeric characters, which represents the features, distributor code and/or color

+ = May or may not be followed by five or more digit suffix codes to indicate change in aesthetics

to which this declaration relates, is in conformity with the following standard(s) or other normative document(s):

- IEC 60335-1: Ed.5: 2010**
- IEC 60335-2-64: Edition 3.1 2008-03**
- EN 55014-1:2006 + A1:2009**
- EN 55014-2:1997 + A1:2001 + A2:2008**
- EN 61000-3-2:2006 + A1:2009 + A2:2009**
- EN 61000-3-3:2008**
- EN 62233:2008**

Norsk

The model listed conforms to the provisions of Directive (s):

- | | |
|---------------------|---|
| 2004/108/EC | ELECTROMAGNETIC COMPATABILITY DIRECTIVE |
| 2006/95/EC | LOW VOLTAGE DIRECTIVE |
| 2006/42/EC | MACHINERY DIRECTIVE |
| 10/2011/EU | PLASTIC MATERIALS INTENDED TO CONTACT FOOD |
| 1935/2004/EC | MATERIALS INTENDED TO CONTACT FOOD |

Place and Date:

Saint Joseph, MI, USA
30 January, 2012

Represented by:

Mark Dahmer
Engineering Director
KitchenAid Portable Appliances Division



FOR THE WAY IT'S MADE.

© 2012. Alle rettigheter forbeholdt.
Spesifikasjoner kan endres uten forvarsel.



KitchenAid

6.9 L PROFESSIONAL BOWL-LIFT STAND MIXER

Original Instructions

KÜCHENMASCHINE MIT SCHÜSSELHEBER UND 6,9 L SCHÜSSEL FÜR DEN GEWERBLICHEN EINSATZ

Originalanleitungen

ROBOT SUR SOCLE PROFESSIONNEL À BOL RELEVABLE DE 6,9 L

Instructions d'origine

ROBOT DA CUCINA PROFESSIONALE CON SOLLEVAMENTO CIOTOLA DA 6,9 L

Istruzioni originali

6,9 L PROFESSIONELE MIXER/KEUKENROBOT MET IN DE HOOGTE VERSTELBARE KOM

Originele instructies

BATIDORA PROFESIONAL DE PIE CON BOL ELEVABLE DE 6,9 L

Instrucciones originales

BATEDEIRA PROFISSIONAL COM SUPORTE PARA TAÇA DE 6,9 L

Intruções originais

ΕΠΑΓΓΕΛΜΑΤΙΚΟ ΜΙΞΕΡ ΜΕ ΒΑΣΗ ΚΑΙ ΥΠΕΡΥΨΩΜΕΝΟ ΜΠΟΛ 6,9 L

Αρχικές οδηγίες

6,9 L PROFESSIONELL KÖKSMASKIN MED SKÅL PÅ HÄVARM

Originalinstruktioner

6,9 L BOLLELØFTENDE KJØKKENMASKIN

Originale instruksjoner

6,9 L AMMATIKÄYTTÖÖN TARKOITETTU YLEISKONE

Alkuperäiset ohjeet

6,9 L PROFESSIONEL KØKKENMASKINE MED SKÅLLØFT

Originale Instruktioner

6,9 L BORDHRÆRIVÉL MED LYFTANLEGRI SKÁL FYRIR FAGFÓLK

Upphaflegar leiðbeiningar

ПРОФЕССИОНАЛЬНЫЙ МИКСЕР СО СЪЕМНОЙ ЧАШЕЙ 6,9 Л

Оригинальные инструкции

PROFESJONALNY MIKSER STOJĄCY Z PODNOSZONĄ DZIEŻĄ 6,9 L

Originalna instrukcja

PROFESIONÁLNÍ KUCHYŇSKÝ ROBOT SE ZVEDACÍ MÍSOU O OBJEMU 6.9 L

Originální pokyny

PROFESIONÁLNY KUCHYŇSKÝ ROBOT SO ZDVÍHACOU MISOU O OBJEME 6,9 L

Originálne pokyny

MIXER PROFESIONAL CU SOCLU ŞI BOL DE 6,9 L

Instrucţiuni originale

ПРОФЕССИОНАЛЕН КУХНЕНСКИ РОБОТ С ПОВДИГАЩА СЕ КУПА С ВМЕСТИМОСТ 6,9 L

Оригинални инструкции

Model 5KSM7990*



Sisällysluettelo

YLEISKONE JA TURVALLISUUS

Tärkeät turvatoimenpiteet.....	153
Sähkövaatimukset.....	154
Sähköisten jätteiden hävittäminen.....	154

OSAT JA OMINAISUUDET 155

YLEISKONEEN VALMISTELU

Yleiskoneen kokoaminen	156
Sekoittimen ja kulhon välisen etäisyyden säätäminen.....	158

YLEISKONEEN KÄYTTÖ

KitchenAid-lisävarusteiden käyttö.....	158
I0-nopeuksiset yleiskoneet.....	159

HOITO JA PUHDISTUS 160

VINKKEJÄ PARHAISIIN TULOSSIIN

Kiertävä ja pyörivä sekoitin	161
Sekoitus aika.....	161
Yleiskoneen käyttö.....	161
Sekoitusvinkkejä.....	161

HUOLTO JA TAKUU

Kun tarvitset huoltopalvelua.....	162
Ammattikäyttöön tarkoitettujen kulhonnostomallisen KitchenAid-yleiskoneen takuu	162
Huoltoliikkeet	163
Asiakaspalvelu	163

Sinun ja muiden turvallisuus on erittäin tärkeää.

Tässä käyttöohjeessa ja hankkimassasi laitteessa on monia tärkeitä turvaohjeita. Lue aina kaikki turvaohjeet ja noudata niitä.



Tämä on turvallisuusriskin symboli.

Tämä merkki varoittaa mahdollisista riskeistä, jotka voivat johtaa sinun tai muiden kuolemaan tai loukkaantumiseen.

Kaikissa turvaohjeissa on varoituskolmio ja sana "VAARA" tai "VAROITUS". Nämä sanat tarkoittavat:



Ohjeen noudattamatta jättäminen voi aiheuttaa välittömästi kuoleman tai henkilövahingon.



Voit kuolla tai loukkaantua vakavasti, jos et noudata ohjeita.

Kaikista turvaohjeista käy ilmi, mikä mahdollinen vaara on, miten voit vähentää loukkaantumisen riskiä ja mitä voi tapahtua, jos ohjeita ei noudateta.

Tärkeät turvatoimenpiteet

Sähkölaitteita käytettäessä on aina noudatettava tavallisia turvatoimia, joihin kuuluvat seuraavat:

1. Lue kaikki ohjeet.
2. Älä upota yleiskonetta veteen tai muuhun nesteeseen sähköiskun vaaran vuoksi.
3. Lapsia on valvottava, jotta voidaan varmistaa, etteivät he pääse leikkimään laitteella.
4. Irrota yleiskoneen liitosjohto pistorasiasta, kun laitetta ei käytetä, ennen osien kiinnittämistä tai irrottamista ja laitteen puhdistamista.
5. Vältä liikkuvien osien koskettamista. Pidä kädet, hiukset, vaatteet ja lastat sekä muut työvälineet kaukana vatkaimesta käytön aikana, jotta vältät henkilövahingot ja/tai yleiskoneen vahingoittumisen.
6. Älä käytä yleiskonetta, jos sen johto tai pistoke on vahingoittunut tai jos yleiskone ei toimi kunnolla, se on pudonnut tai vahingoittunut jollakin tavalla.
7. Jos käytät lisävarusteita, joita KitchenAid ei suosittele tai myy, ne voivat aiheuttaa tulipalon, sähköiskun tai loukkaantumisen.
8. Älä käytä yleiskonetta ulkona.
9. Tarkista, ettei liitosjohto roiku pöydän tai työtason reunan yli.
10. Irrota sekoitin, metallivispilä tai taikinakoukku yleiskoneesta ennen pesemistä.
11. Tämä laite ei ole tarkoitettu sellaisten henkilöiden käyttöön (mukaan luettuna lapset), joiden fyysinen toimintakyky, aistien tai henkinen toimintakyky tai kokemus sekä tiedot eivät riitä laitteen käyttöön. He saavat käyttää laitetta ainoastaan heidän turvallisuudestaan vastaavan henkilön valvonnassa ja opastamana.

SÄÄSTÄ NÄMÄ OHJEET

TÄMÄ TUOTE ON TARKOITETTU AMMATTIKÄYTTÖÖN

Sähkövaatimukset

VAROITUS



Sähköiskun vaara

Kytke laite maadoitettuun pistorasiaan.

Älä irrota maadoitusjohdinta.

Älä käytä sovitinta.

Älä käytä jatkojohtoa.

Näiden ohjeiden laiminlyöminen voi johtaa kuolemaan, tulipaloon tai sähköiskuun.

Jännite: 220-240 Volts a.c.
Taajuus: 50/60 Hz
Teho: 325 W, suositeltu toiminta-aika:
1-30 minuuttia pulssisuhteella 10 min
PÄÄLLÄ / 15 min POIS PÄÄLTÄ.

HUOM. Yleiskoneen teholuokitus on painettu sarjanumerokilpeen, joka sijaitsee yleiskoneen pohjassa.

Älä käytä jatkojohtoa. Jos sähköjohto on liian lyhyt, pyydä pätevää sähköasentajaa tai huoltomiestä asentamaan pistorasia laitteen lähelle.

Wattiluokitus on määritelty käyttämällä lisävarustetta, joka vaatii eniten sähköä (tehoa). Muut suositellut lisävarusteet saattavat tarvita huomattavasti vähemmän tehoa.

Tuotteessa on erikoisvirtajohto. Jos se vahingoittuu, valmistajan tai hänen huoltoedustajansa on vaihdettava se vahinkojen välttämiseksi.

Äänenpaineen taso mitattuna prEN 454-test -säännön mukaisesti on vähemmän kuin 70 dBA.



”*” mallinumerossa ilmaisee lisätunnusmerkkejä, jotka tarkoittavat koneen väriä ja insinööriyön numeroita varsinaiselle mallille (esim. 5KSM7990*).

Suomi

Sähköisten jätteiden hävittäminen

Tämä laite on merkitty Weee-direktiivin (Waste electrical and electronic equipment) 2002/96/EC mukaisesti.

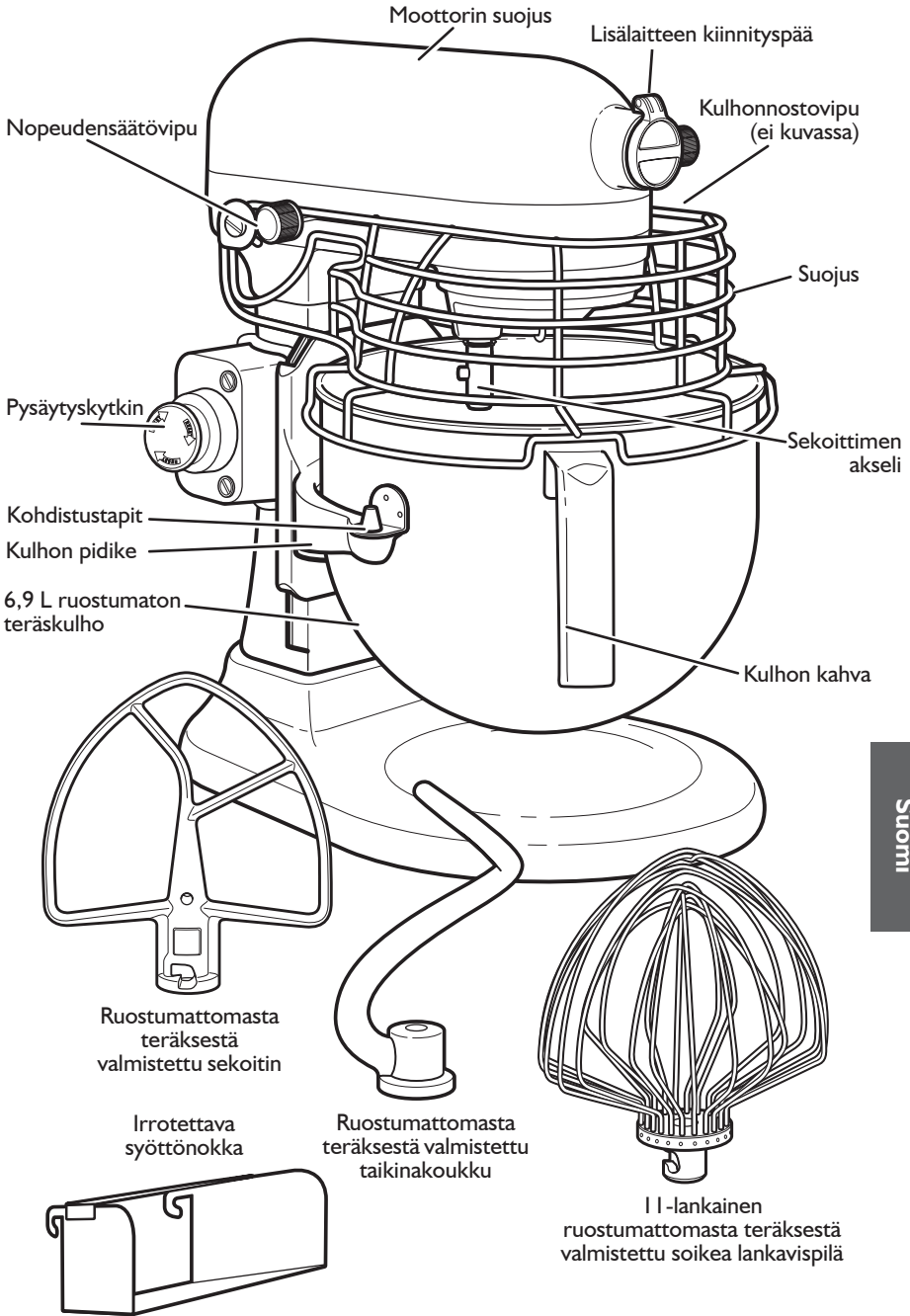
Varmistamalla, että tuote poistetaan käytöstä asianmukaisesti, voit auttaa estämään sellaiset ympäristö- ja terveyshaitat, jotka saattaisivat aiheutua jätteiden asiattomasta käsittelystä.

Tuotteeseen tai sen asiakirjoihin merkityn symbolin  mukaisesti tuotetta ei saa käsitellä  talousjätteenä. Sen sijaan tuote on toimitettava sähkö- ja elektroniikkalaitteiden keräys- ja kierrätyspisteeseen.

Laitteen käytöstäpoiston suhteen on noudatettava paikallisia jätehuoltomääräyksiä.

Lisätietoja tuotteen käsittelystä, talteenotosta ja kierrätyksestä saa kaupungin- tai kunnanvirastosta, paikallisesta jätehuoltoliikkeestä tai liikkeestä, josta tuote ostettiin.

OSAT JA OMINAISUUDET



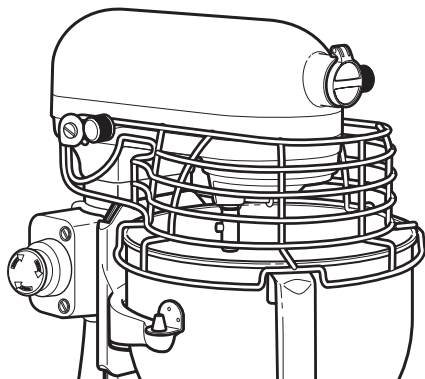
YLEISKONEEN VALMISTELU

Yleiskoneen kokoaminen

Kulhon kiinnittäminen

1. Aseta nopeudensäädin asentoon 0 (OFF = pois päältä).
2. Irrota yleiskoneen virtajohto tai katkaise virta.
3. Nosta suojus.
4. Aseta kulhonnostovipu ala-asentoon.
5. Aseta kulhon tuet kohdistustappeihin.
6. Paina kulhon takaosaa siten, että kulhon pidike napsahtaa jouselliseen salpaan.

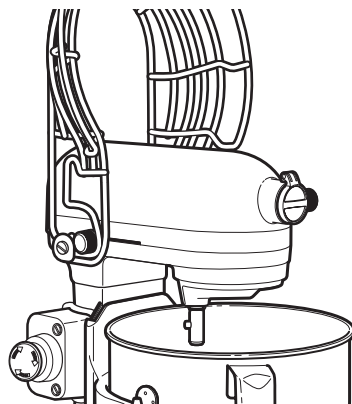
HUOM. Jos kulho ei ole tiukasti paikoillaan, se on epävaka ja keikkuu käytössä.



7. Laske suojus.
8. Nosta kulho ylös ennen sekoittamista.

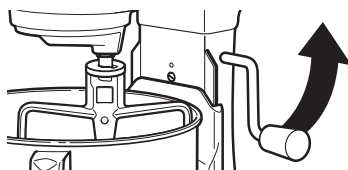
Kulhon irrottaminen

1. Aseta nopeudensäädin asentoon 0 (OFF = pois päältä).
2. Irrota yleiskoneen virtajohto tai katkaise virta.
3. Nosta suojus.



4. Aseta kulhonnostovipu ala-asentoon.
5. Irrota sekoitin, lankavispilä tai taikinakoukku.
6. Ota kiinni kulhon kahvasta ja nosta ylös ja irti kohdistustapeista.

Kulhon nostaminen



1. Käännä vipu vastapäivään pystyasentoon.
2. Kulhon on aina oltava lukittuna yläasentoon sekoittamisen aikana.

YLEISKONEEN VALMISTELU

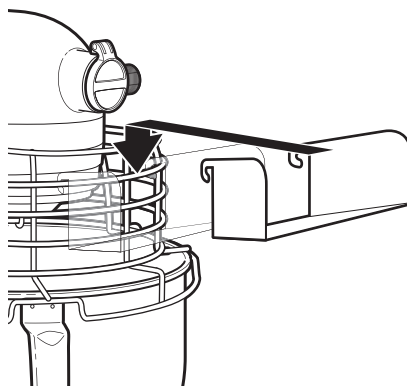
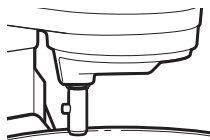
ASENNUS: Yleiskone on asennettava vakaalle tasapinnalle, kuten tiskille tai työpöydälle.

Kulhon laskeminen

1. Käännä vipu taakse ja alas.

Sekoittimen, lankavispilän tai taikinakoukun kiinnittäminen

1. Aseta nopeudensäädin asentoon 0 (OFF = pois päältä).
2. Irrota yleiskoneen virtajohto tai katkaise virta.
3. Nosta suojus.
4. Työnnä sekoitin akseliin ja työnnä sitä ylöspäin niin pitkälle kuin mahdollista.
5. Käännä sekoitinta oikealle, kunnes se lukittuu paikoilleen tapin päälle akselilla.



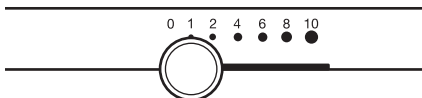
Irrotettava syöttönokka

Irrotettava syöttönokka voidaan kiinnittää suojukseen yllä olevan kuvan mukaisesti. Se on kätevä keino lisätä aineksia yleiskoneen kulhoon.

Sekoittimen, lankavispilän tai taikinakoukun irrottaminen

1. Aseta nopeudensäädin asentoon 0 (OFF = pois päältä).
2. Irrota yleiskoneen virtajohto tai katkaise virta.
3. Nosta suojus.
4. Paina sekoitinta ylöspäin niin pitkälle kuin mahdollista ja käännä vasemmalle.
5. Vedä sekoitin irti akselista.

Nopeudensäätövipu



Soft Start -toiminto minimoi aineiden roiskumisen käynnistämällä koneen pienellä nopeudella ennen nopeuden nostamista valitulle tasolle. Jotta roiskuminen olisi mahdollisimman vähäistä, aloita sekoittaminen aina nopeudella I ja siirry sitten tarvittaessa korkeampiin nopeuksiin vähän kerrassaan. Katso "Nopeudensäätöopas".

Moottoria suojaava automaattikatkaisu

Jos yleiskone pysähtyy ylikuormituksen takia, käännä nopeudensäätövipu asentoon 0 (OFF) ja irrota virtajohto pistorasiasta. Yleiskone palautuu automaattisesti muutaman minuutin kuluttua. Kytke yleiskone pistorasiaan, kytke nopeudensäätövipu haluamallasi nopeudelle ja jatka sekoittamista. Jos yleiskone ei käynnisty uudelleen, irrota se pidemmäksi aikaa, jotta se ehtii jäähtyä, ja kytke se sitten takaisin pistorasiaan ja käynnistä uudelleen. Jos yleiskone ei käynnisty uudelleen, katso "Kun tarvitset huoltopalvelua".

Pysäytyskytkin

Jos yleiskone on pysäytettävä välittömästi käytön aikana, paina pysäytyskytkintä. Voit jatkaa käyttöä asettamalla nopeudensäätövivun asentoon 0 (OFF) ja vetämällä pysäytyskytkimen ulos. Yleiskone on tällöin valmis käytettäväksi normaalisti.

YLEISKONEEN VALMISTELU

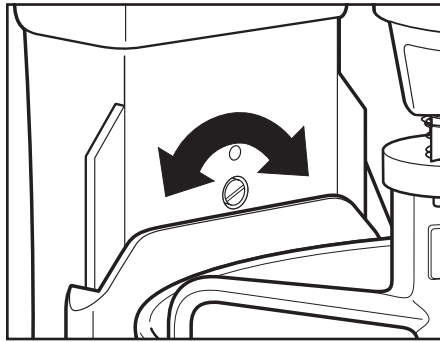
Sekoittimen ja kulhon välisen etäisyyden säätäminen

Yleiskone on säädetty tehtaalla niin, että sekoitin ylettyy melkein kulhon pohjaan asti. Jos sekoitin jostain syystä osuu kulhon pohjaan tai on liian kaukana pohjasta, voit korjata sen etäisyyttä helposti.

1. Aseta nopeudensäädin asentoon 0 (OFF = pois päältä).
2. Irrota yleiskoneen virtajohto tai katkaise virta.
3. Nosta suojus.
4. Laske kulho ala-asentoon.
5. Käännä korkeudensäätöruuvia hieman vastapäivään (vasemmalle), kun haluat nostaa sekoitinta, ja myötäpäivään (oikealle), kun haluat laskea sitä.
6. Säädä sekoitin siten, että se on niin lähellä kulhon pintaa kuin mahdollista. Jos käännät ruuvia liikaa, kulhonnostovipu ei ehkä lukitu kunnolla.

HUOM. Kun sekoitin on säädetty oikein, se ei kosketa pohjaa eikä kulhon kylkiä. Jos sekoitin tai ruostumattomasta teräksestä valmistettu vispilä on niin lähellä kulhon pohjaa, että se koskettaa sitä, sekoittimen pinnoite voi kulua pois (jos se on pinnoitettu) ja ruostumattomasta teräksestä valmistetun vispilän langat voivat kulua.

Kulhon reunoja voidaan joutua kaapimaan tietyissä oloissa sekoittimen säädöistä riippumatta. Yleiskone on pysäytettävä kulhon kaapimisen ajaksi; muuten laite voi vioittua.



YLEISKONEEN KÄYTTÖ

KitchenAid-lisävarusteiden käyttö

Sekoitin normaaleista paksuihin seoksiin (Suositeltu käyttöaika on 1-10 minuuttia, reseptistä riippuen):

kakut	keksit
kermaiset kuorrutukset	pikaleivät
karamellit	lihamureke
pikkuleivät	perunamuusi
piirakkataikina	

Lankavispilä ilmaviin seoksiin (Suositeltu käyttöaika on 1-30 minuuttia, reseptistä riippuen):

kananmunat	keitetyt kuorrukkeet
munanvalkuiset	sokerikakut
paksu kerma	majoneesi

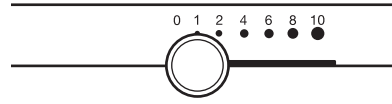
Taikinakoukku hiivataikainoiden sekoittamiseen ja alustamiseen (Suositeltu käyttöaika on 1-10 minuuttia, reseptistä riippuen):

leivät	kahvileivät
sämpylät	pullat

YLEISKONEEN KÄYTTÖ

I0-nopeuksiset yleiskoneet

Kaikissa nopeuksissa on Soft Start -toiminto, joka käynnistää yleiskoneen automaattisesti pienellä nopeudella ja kasvattaa nopeuden valitulle tasolle, jotta ainesosat eivät roiskuisi yli eivätkä aiheuttaisi "jauhopilveä".



Nopeus	Käyttötarkoitus	Lisävarusteet	Kuvaus
1	Hämmettäminen		Hitaaseen hämmennykseen, ainesosien yhdistämiseen, muusin valmistukseen, kaikkien sekoitusten aloittamiseen. Käytä lisättäessä jauhoja ja kuivia aineita taikinaan sekä lisättäessä nesteitä kuiviin aineksiin. Älä käytä nopeutta 1 hiivataikinoiden sekoittamiseen tai alustamiseen.
2	Hidas sekoittaminen, alustus		Hitaaseen sekoittamiseen, muusin valmistukseen, nopeampaan hämmettämiseen. Käytä tätä nopeutta hiivataikinoiden alustamiseen, raskaiden taikinoiden ja karamellien sekoittamiseen, peruna- ja vihannesmuusien valmistuksen aloittamiseen, kovan rasvan lisäämiseen jauhoihin sekä kevyiden tai roiskuvien taikinoiden sekoittamiseen.
4	Sekoittaminen, vatkaaminen		Keskiraskaiden taikinoiden, esimerkiksi pikkuleipätaikinoiden, sekoittamiseen. Käytä sokerin ja rasvan sekoittamiseen sekä sokerin ja munanvalkuaisten vaahdottamiseen marenkeja valmistettaessa. Keskinopeus kakkujen sekoitusta varten.
6	Vatkaaminen, vaahdotus		Käytä keskinopeaan vatkaamiseen (vaahdottamiseen) tai vispaamiseen. Käytä kakku-, donitsi- ja muiden taikinoiden sekoittamisen loppuvaiheessa. Suuri nopeus kakkujen sekoitusta varten.
8-10	Nopea vatkaaminen, vispaaminen, nopea vispaaminen		Käytä kermavaahdon, munanvalkuaisten ja keitettyjen kuorrutusten vispaamiseen. Käytä pienten kermamäärien ja munanvalkuaisten vispaamiseen sekä perunasoseen loppuvispaamiseen.

HUOM. Käytä nopeutta 2 hiivataikinoiden sekoittamiseen ja alustamiseen. Jos käytetään muita nopeuksia, yleiskone saattaa rikkoutua. Spiraalinmuotoinen PowerKnead-taikinakoukku alustaa useimmat hiivataikinat tehokkaasti 4 minuutissa

Kapasiteettitaulukko

	6,9 L kulho
Jauhot	2 - 2,2 kg
Leipä	8 450 g painoista leipää
Keksit	160 kappaletta
Perunamuusi	3,6 kg

HOITO JA PUHDISTUS

Ruostumattomasta teräksestä valmistettu kulho, sekoitin, lankavispilä, taikinakoukku samoin kuin syöttönokka voidaan pestä astianpesukoneessa. Älä käytä puhdistusaineita, joiden pH on alle 5. Ne voidaan myös puhdistaa kuumassa pesuainevedessä ja huuhtoa huolellisesti ennen kuivausta. Älä säilytä tarvikkeita kiinnitettynä akseliin. Yleiskonetta ei saa puhdistaa vesisuihkulla tai letkulla.

VAROITUS

SÄHKÖISKUN VAARA

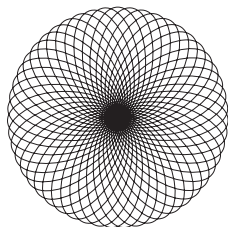
MUISTA AINA IRROTTAA YLEISKONE PISTORASIESTA ENNEN SEN PUHDISTAMISTA, JOTTA VÄLTYY SÄHKÖISKULTA.

**Pyyhi yleiskone kostealla liinalla.
ÄLÄ UPOTA LAITETTA VETEEN.
Pyyhi sekoittimen akseli säännöllisesti poistaen kaikki siihen mahdollisesti kertyneet jäämät.**

VINKKEJÄ PARHAISIIN TULOSSIIN

Kiertävä ja pyörivä sekoitin

Sekoitin kiertää ympäri paikallaan pysyvässä kulhossa ja pyörii samanaikaisesti vastakkaiseen suuntaan oman akselinsa ympäri. Kaaviokuva osoittaa, kuinka liike kattaa koko kulhon alan.



Yleiskoneen 5KSM7990 teho on 500 W ja siinä on tasavirtamoottori. Tämä on hiljainen ja tehokas moottori, ja se on kytketty suoravetojärjestelmään: tämä mahdollistaa 1,3 hevosvoiman huipputehon (moottorin antoteho), jolloin paksukin taikina voidaan sekoittaa nopeasti ja tehokkaasti.

Sekoitusaika

KitchenAid-yleiskone sekoittaa nopeammin ja huolellisemmin kuin monet muut sähkökäyttöiset yleiskoneet. Sen takia useimpien reseptien sekoitusaikaa tulee mukauttaa, jotta et sekoita taikinaa liikaa.

Määritä paras sekoitusaika tarkkailemalla taikinaa ja sekoittamalla sitä vain juuri niin kauan, että saavutat reseptissä kuvatus koostumuksen – esimerkiksi "tasainen ja kermanen". Valitse paras sekoitusnopeus kappaleen "10-nopeuksiset yleiskoneet" mukaan.

Yleiskoneen käyttö

VAROITUS

LOUKKAANTUMISVAARA

Välttyäksesi loukkaantumiselta ja vatkaimen vahingoittumiselta, älä yritä kaapia kulhoa yleiskoneen käydessä; sammuta yleiskone ensin. Jos kaavin tai muu esine putoaa kulhoon, sammuta moottori ennen sen ottamista ylös.

Kulho ja sekoitin on suunniteltu niin, että sekoittaminen on perusteellista ilman toistuvaa kaapimista. Kulhon kaapiminen kerran tai kahdesti sekoittamisen aikana riittää yleensä.

Yleiskone saattaa lämmentä käytön aikana. Ison annoksen ja pitkän sekoittamisajan aikana yleiskoneen yläosan koskettaminen saattaa tuntua epämiellyttävän kuumalta. Tämä on normaalia.

Sekoitusvinkkejä

Ainesosien lisääminen

Lisää ainesosat aina mahdollisimman läheltä kulhon reunaan; älä lisää niitä suoraan liikkuvaan sekoittimeen. Syöttönokkaa voidaan käyttää helpottamaan ainesosien lisäämistä. Käytä nopeutta 1, kunnes kaikki ainesosat ovat sekoittuneet. Lisää tehoa sitten asteittain haluttuun nopeuteen.

Pähkinöiden, rusinoiden tai sukaatin lisääminen

Lisää nämä aineosat käyttämäsi reseptin mukaan. Tavallisesti kiinteät ainesosat tulee lisätä sekoitukseen viimeisten sekuntien aikana nopeudella 1. Taikinan tulee olla tarpeeksi paksua, jotta hedelmät tai pähkinät eivät putoa alimmaksi vuokaan paistamisen aikana. Tahmeat hedelmäpalat tulee jauhottaa, jotta ne tarttuvat paremmin kiinni taikinaan.

Nestemäiset seokset

Paljon nesteitä sisältävät seokset tulee sekoittaa alhaisilla nopeuksilla roiskumisen välttämiseksi. Lisää nopeutta vasta, kun seos on paksuuntunut.

HUOM. Jos kulhon pohjalla olevat ainekset eivät sekoitu kunnolla, sekoitin ei ole tarpeeksi syvällä kulhossa. Katso kappale "Yleiskoneen valmistelu".

HUOLTO JA TAKUU

Kun tarvitset huoltopalvelua

VAROITUS



Sähköiskun vaara

Irrota kone pistorasiasta ennen huoltoa.

Näiden ohjeiden laiminlyöminen voi johtaa kuolemaan tai sähköiskuun.

Lue alla oleva teksti ennen kuin soitat huoltoliikkeeseen.

1. Yleiskone saattaa lämmitä käytön aikana. Ison annoksen ja pitkän sekoittamisajan aikana laitteen yläosan koskettaminen saattaa tuntua epämiellyttävän kuumalta. Tämä on normaalia.

2. Yleiskoneesta saattaa lähteä kitkerää hajua erityisesti silloin, kun laite on uusi. Se on tavallinen ilmiö sähkömoottoreita käytettäessä.
3. Jos sekoitin osuu kulhoon, pysäytä yleiskone. Katso kappale "Yleiskoneen valmistelu".

Jos yleiskoneesi toimii väärin tai se ei käynnisty, tarkista seuraavat seikat:

- Onko yleiskone kiinni pistorasiassa?
- Onko yleiskoneen pistorasiaan liittyvä sulake kunnossa? Jos sinulla on sulakekaappi, varmista että piiri on suljettu.
- Onko pysäytyskytkin vedetty ulos?
- Sammuuta yleiskone 10–15 sekunniksi ja käynnistä se uudelleen. Jos yleiskone ei lähde käyntiin, anna sen viilentyä 30 minuutin ajan ennen uudelleen käynnistämistä.
- Jos ongelma ei johdu yllämainituista seikoista, katso "Huoltoliikkeet".

Ammattikäyttöön tarkoitetun kulhonnostomallisen KitchenAid-yleiskoneen takuu

Suomi

Takuuajan pituus:	KitchenAid korvaa:	KitchenAid ei korvaa:
Kahden vuoden täydellinen takuu ostopäivästä lukien. Ammattikäyttöön tarkoitettu yleiskone 5KSM7990: Yhden vuoden täydellinen takuu ostopäivästä lukien.	Varaosat ja korjauskulut laitteen materiaaliin ja sen valmistukseen liittyvissä vioissa. Huoltotyöt tulee teettää valtuutetussa KitchenAid-huoltoliikkeessä.	Onnettomuuden, muutosten, väärinkäytön ja vahingoittamisen tai paikallisista sähköasennussäädöksistä poikkeavan asennuksen/ käytön aiheuttamia vahinkoja.

KITCHENAID EI VASTAA VÄLILLISISTÄ VAHINGOISTA.

HUOLTO JA TAKUU

Huoltoliikkeet

Kaikkeen huoltoon tulee käyttää alueenne valtuutettua KitchenAid-huoltoliikettä. Ottakaa yhteyttä myyjään, jolta hankitte laitteen, jotta saisitte lähimmän valtuutetun KitchenAid-huoltoliikkeen yhteystiedot.

Suomi:

Kodinkonehuolto Tauno Korhonen Oy
Kumpulantie 1
00520 Helsinki

Tel : +358/9 495903

kodinkonehuolto@kkhtaunokorhonen.fi
www.kkhtaunokorhonen.f

Asiakaspalvelu

www.KitchenAid.fi
www.KitchenAid.eu

Suomi



Technology Center
303 Upton Drive, St. Joseph, MI 49085-1175

**EU – DECLARATION OF CONFORMITY
CE-DECLARATION DE CONFORMITE**

We: WHIRLPOOL CORPORATION, 303 UPTON DR., ST. JOSEPH, MI 49085, USA
Representing: WHIRLPOOL EUROPE S.r.l I-21025 COMERIO

Declare under sole responsibility that the product:

KitchenAid™ Stand Mixers: Model 5KSM79XX+

Where:

XX = up to 2 alphanumeric characters, which represents the features, distributor code and/or color

+ = May or may not be followed by five or more digit suffix codes to indicate change in aesthetics

to which this declaration relates, is in conformity with the following standard(s) or other normative document(s):

- IEC 60335-1: Ed.5: 2010**
- IEC 60335-2-64: Edition 3.1 2008-03**
- EN 55014-1:2006 + A1:2009**
- EN 55014-2:1997 + A1:2001 + A2:2008**
- EN 61000-3-2:2006 + A1:2009 + A2:2009**
- EN 61000-3-3:2008**
- EN 62233:2008**

Suomi

The model listed conforms to the provisions of Directive (s):

- | | |
|---------------------|---|
| 2004/108/EC | ELECTROMAGNETIC COMPATABILITY DIRECTIVE |
| 2006/95/EC | LOW VOLTAGE DIRECTIVE |
| 2006/42/EC | MACHINERY DIRECTIVE |
| 10/2011/EU | PLASTIC MATERIALS INTENDED TO CONTACT FOOD |
| 1935/2004/EC | MATERIALS INTENDED TO CONTACT FOOD |

Place and Date:
Saint Joseph, MI, USA
30 January, 2012

Represented by:

Mark Dahmer
Engineering Director
KitchenAid Portable Appliances Division



FOR THE WAY IT'S MADE.

© 2012. Kaikki oikeudet pidätetään.
Muutokset määrittelyihin ovat mahdollisia ilman ilmoitusta.



KitchenAid

6.9 L PROFESSIONAL BOWL-LIFT STAND MIXER

Original Instructions

**KÜCHENMASCHINE MIT SCHÜSSELHEBER UND 6,9 L SCHÜSSEL
FÜR DEN GEWERBLICHEN EINSATZ**

Originalanleitungen

ROBOT SUR SOCLE PROFESSIONNEL À BOL RELEVABLE DE 6,9 L

Instructions d'origine

ROBOT DA CUCINA PROFESSIONALE CON SOLLEVAMENTO CIOTOLA DA 6,9 L

Istruzioni originali

6,9 L PROFESSIONELE MIXER/KEUKENROBOT MET IN DE HOOGTE VERSTELBARE KOM

Originele instructies

BATIDORA PROFESIONAL DE PIE CON BOL ELEVABLE DE 6,9 L

Instrucciones originales

BATEDEIRA PROFISSIONAL COM SUPORTE PARA TAÇA DE 6,9 L

Intruções originais

ΕΠΑΓΓΕΛΜΑΤΙΚΟ ΜΙΞΕΡ ΜΕ ΒΑΣΗ ΚΑΙ ΥΠΕΡΥΨΩΜΕΝΟ ΜΠΟΛ 6,9 L

Αρχικές οδηγίες

6,9 L PROFESSIONELL KÖKSMASKIN MED SKÅL PÅ HÄVARM

Originalinstruktioner

6,9 L BOLLELØFTENDE KJØKKENMASKIN

Originale instruksjoner

6,9 L AMMATTIKÄYTTÖÖN TARKOITETTU YLEISKONE

Alkuperäiset ohjeet

6,9 L PROFESSIONEL KØKKENMASKINE MED SKÅLLØFT

Originale Instruktioener

6,9 L BORDHRÆRIVÉL MED LYFTANLEGRI SKÁL FYRIR FAGFÓLK

Upphaflegar leiðbeiningar

ПРОФЕССИОНАЛЬНЫЙ МИКСЕР СО СЪЕМНОЙ ЧАШЕЙ 6,9 л

Оригинальные инструкции

PROFESJONALNY MIKSER STOJĄCY Z PODNOSZONĄ DZIEŻĄ 6,9 L

Originalna instrukcja

PROFESIONÁLNÍ KUCHYŇSKÝ ROBOT SE ZVEDACÍ MÍSOU O OBJEMU 6.9 L

Originální pokyny

PROFESIONÁLNY KUCHYŇSKÝ ROBOT SO ZDVÍHACOU MISOU O OBJEME 6,9 L

Originálne pokyny

MIXER PROFESIONAL CU SOCLU ŞI BOL DE 6,9 L

Instrucţiuni originale

ПРОФЕССИОНАЛЕН КУХНЕНСКИ РОБОТ С ПОВДИГАЩА СЕ КУПА С ВМЕСТИМОСТ 6,9 L

Оригинални инструкции

Model 5KSM7990*



Indhold

KØKKENMASKINENS SIKKERHED

Vigtige sikkerhedsforskrifter	168
Elektriske krav.....	169
Bortskaffelse af elektrisk udstyr	169

RESERVEDELE OG FUNKTIONER.....

170

KLARGØRING AF KØKKENMASKINEN

Samling af køkkenmaskinen.....	171
Tilpasning af piskerisets afstand til skålen.....	173

BRUG AF KØKKENMASKINEN

Brug af KitchenAid-tilbehør	173
Oversigt over hastigheder - køkkenmaskiner med 10 hastigheder	174

VEDLIGEHODELSE OG RENGØRING

175

TIP TIL FANTASTISKE RESULTATER

Køkkenmaskinens planetariske bevægelser	176
Blandingstid	176
Brug af køkkenmaskinen	176
Blandingstip	176

SERVICE OG GARANTI

Når du har brug for hjælp	177
Garanti på den professionelle KitchenAid-køkkenmaskine med skålløft	177
Servicecentre	178
Kundeservice.....	178

KØKKENMASKINENS SIKKERHED

Din egen og andres sikkerhed er meget vigtig.

Der findes mange vigtige sikkerhedsanvisninger i denne vejledning og på apparatet. Læs og følg altid sikkerhedsanvisningerne.



Her vises sikkerhedssymbolet.

Dette symbol advarer om mulige farer, der kan være livsfarlige eller kvæste dig selv og andre.

Alle sikkerhedsanvisninger efterfølger sikkerhedsadvarselssymbolet og enten ordet "FARE" eller "ADVARSEL". Disse ord betyder:

 **FARE**

Man kan blive alvorligt skadet hvis man ikke straks følger instruktionerne.

 **ADVARSEL**

Man kan blive alvorligt skadet hvis man ikke følger instruktionerne

Alle sikkerhedsanvisninger fortæller dig, hvad den potentielle fare består i, hvordan den kan reduceres og hvad der kan ske, hvis anvisningerne ikke følges.

Vigtige sikkerhedsforskrifter

Når du bruger elektrisk køkkenudstyr, bør du altid overholde de grundlæggende forholdsregler, som blandt andet består af følgende:

1. Læs alle instruktioner.
2. For at beskytte mod risikoen for elektrisk stød må køkkenmaskinen ikke nedsænkes i vand eller anden væske.
3. Hold børn under opsyn, og lad dem ikke lege med apparatet.
4. Tag stikket ud af stikkontakten, når køkkenmaskinen ikke bruges, før du sætter tilbehør på eller tager tilbehør af, og før rengøring.
5. Undgå at komme i berøring med de bevægelige dele. Sørg for at holde hænder, hår, tøj samt grydeskeer og andre redskaber i god afstand af piskeriset under brug for at minimere risikoen for personskade og/eller beskadigelse af køkkenmaskinen.
6. Brug ikke køkkenmaskinen, hvis ledningen eller stikket er beskadiget, hvis maskinen ikke fungerer korrekt, eller hvis den er faldet på gulvet eller på anden måde er beskadiget.
7. Brug ikke tilbehør, der ikke er anbefalet eller sælges af KitchenAid, da dette kan medføre brand, elektriske stød eller personskade.
8. Brug ikke køkkenmaskinen udendørs.
9. Lad ikke ledningen hænge ud over kanten af køkkenbordet.
10. Afmonter fladpiskeren, piskeriset eller dejkrogen inden rengøring af køkkenmaskinen.
11. Apparatet er ikke beregnet til at blive brugt af personer (herunder børn), hvis fysiske, sensoriske eller mentale evner er nedsat, eller personer uden den fornødne erfaring og viden, medmindre de er instrueret i sikker brug af apparatet eller er under opsyn af en person, der har ansvaret for dem.

Dansk

GEM DENNE VEJLEDNING
DETTE PRODUKT ER KONSTRUERET
TIL PROFESSIONEL BRUG

Elektriske krav

! ADVARSEL



Fare for elektrisk stød

Sæt stikket i en stikkontakt med jordforbindelse.

Fjern ikke stikben med jordforbindelse.

Brug ikke en adapter.

Brug ikke forlængerledning.

Manglende overholdelse af disse anvisninger kan medføre personskaade, brand eller elektrisk stød.

Volt: 220-240 A.C.

Hertz: 50/60 Hz

Strøm: 325 W, anbefalet driftstid 1-30 min. med en arbejds cyklus på 10 min. tændt/15 min. slukket.

BEMÆRK: Køkkenmaskinens effekt er angivet på typeskiltet under bunden af køkkenmaskinen.

Brug ikke forlængerledning. Hvis ledningen er for kort, skal du kontakte en autoriseret elektriker for at få installeret en stikkontakt tættere på køkkenmaskinen.

Wattforbruget beregnes på grundlag af det tilbehør, som har det største strømforbrug. Strømforbruget for andet tilbehør kan være væsentligt lavere.

Dette produkt har en ledning af Y-typen. Hvis netledningen beskadiges, skal den af hensyn til sikkerheden udskiftes af producenten eller en servicerepræsentant.


Det akustiske trykniveau målt i overensstemmelse med prEN 454-testkoden er mindre end 70 dBA.

“*” i modelnummeret angiver yderligere tegn, der betegner maskinfarve samt tekniske cifre for den pågældende model (f.eks. 5KSM7990*).

Bortskaffelse af elektrisk udstyr

Dette produkt er mærket i henhold til EU-direktiv 2002/96/EF om affald fra elektrisk og elektronisk udstyr (WEEE).

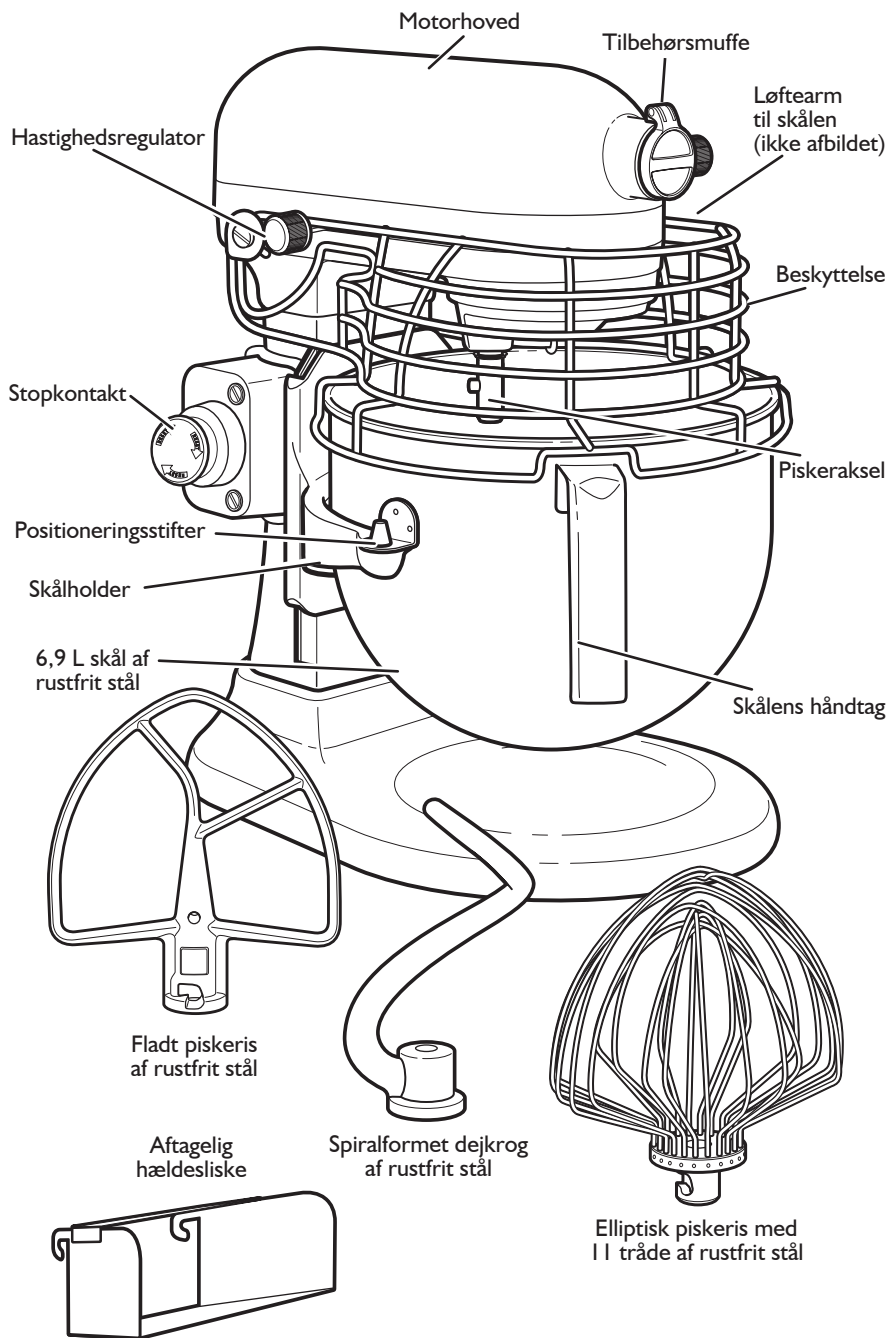
Ved at sikre at dette produkt bliver bortskaffet korrekt, hjælper man med til at forhindre potentielle, negative konsekvenser for miljøet og folkesundheden, der kunne opstå gennem uhensigtsmæssig bortskaffelse af dette produkt.

Symbolet  på produktet eller i dokumenter, der ledsager produktet, angiver, at dette apparat ikke må bortskaffes som husholdningsaffald. Det skal i stedet afleveres på en genbrugsstation for elektrisk og elektronisk udstyr.

Det skal bortskaffes i henhold til gældende lokale miljøregler for bortskaffelse af affald.

For yderligere oplysninger om håndtering, genvinding og genbrug af dette produkt bedes man kontakte de lokale myndigheder, renovationselskabet eller forretningen, hvor produktet er købt.

RESERVEDELE OG FUNKTIONER



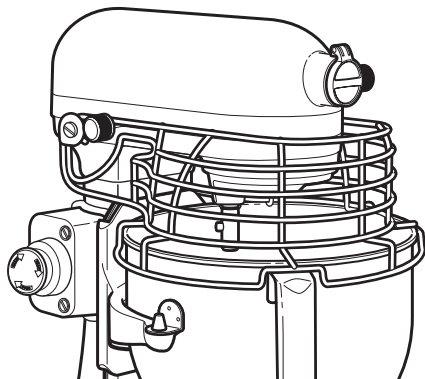
KLARGØRING AF KØKKENMASKINEN

Samling af køkkenmaskinen

Sådan fastgøres skålen

1. Drej hastighedsregulatoren på "0" (SLUKKET).
2. Tag stikket ud af stikkontakten.
3. Løft beskyttelsen.
4. Drej løftearmen til skålen, så den vender nedad.
5. Anbring skålholderne over positioneringsstifterne.
6. Tryk ned bag på skålen, indtil skålens stifter snapper på plads i fjederlåsen.

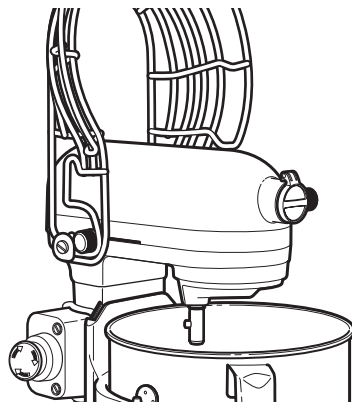
BEMÆRK: Hvis skålen ikke er placeret korrekt, bliver den ustabil og vakler under brugen.



7. Sænk beskyttelsen.
8. Hæv skålen, inden der blandes.

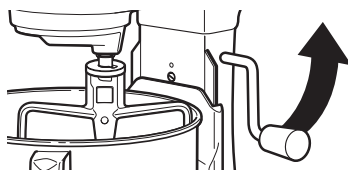
Sådan tages skålen af

1. Drej hastighedsregulatoren på "0" (SLUKKET).
2. Tag stikket ud af stikkontakten.
3. Løft beskyttelsen.



4. Drej løftearmen til skålen, så den vender nedad.
5. Sådan tages fladpiskeren, piskeriset eller dejkrogen af
6. Tag fat i skålens håndtag, og løft den lige opad og ud af positioneringsstifterne.

Sådan hæves skålen



1. Drej håndtaget mod uret, så det står i oprejst position.
2. Skålen skal altid være hævet og låst fast, når der blandes.

Dansk

KLARGØRING AF KØKKENMASKINEN

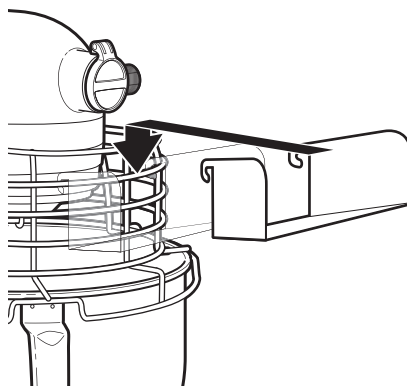
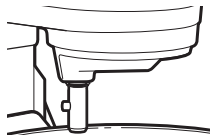
INSTALLATION: Køkkenmaskine skal installeres på en plan og stabil overflade, f.eks. et køkken- eller arbejdsbord.

Sådan sænkes skålen

1. Drej håndtaget tilbage og ned.

Sådan fastgøres fladpiskeren, piskeriset eller dejkrogen

1. Drej hastighedsregulatoren på "0" (SLUKKET).
2. Tag stikket ud af stikkontakten.
3. Løft beskyttelsen.
4. Fastgør piskeriset på piskerakslen, og tryk det så langt opad som muligt.
5. Drej piskeren til højre, så den sidder fast over tappen på akslen.



Sådan tages fladpiskeren, piskeriset eller dejkrogen af

1. Drej hastighedsregulatoren på "0" (SLUKKET).
2. Tag stikket ud af stikkontakten.
3. Løft beskyttelsen.
4. Tryk piskeren så højt opad som muligt, og drej den mod venstre.
5. Træk piskeriset af piskerakslen.

Aftagelig hældesliske

Det er nemt at sætte den aftagelige hældesliske på forsiden af beskyttelsen som vist i illustrationen ovenfor. På den måde er det nemt at hælde ingredienser i køkkenmaskinens skål.

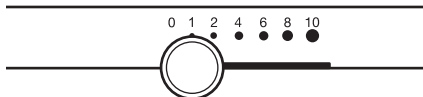
Automatisk nulstilling af motorbeskyttelsen

Sæt hastighedsregulatoren på "0" (SLUKKET), og tag stikket ud af stikkontakten, hvis køkkenmaskinen stopper på grund af overbelastning. Efter et par minutter nulstilles køkkenmaskinen automatisk. Sæt stikket i stikkontakten igen, sæt hastighedsregulatoren på den ønskede hastighed, og fortsæt piskningen. Tag stikket ud af stikkontakten i en længere periode, så den kan køle af, sæt stikket i igen og genstart køkkenmaskinen, hvis den ikke genstarter. Se "Når du har brug for hjælp", hvis køkkenmaskinen ikke genstarter.

Stopkontakt

Tryk på stopkontakten, hvis det er nødvendigt at stoppe køkkenmaskinen omgående under brugen. Sæt hastighedsregulatoren tilbage på "0" (SLUKKET), og træk stopkontakten ud for at genoptage arbejdet. Derefter er køkkenmaskinen klar til normal brug igen.

Hastighedsregulator



Soft Start-funktionen minimerer stænk, fordi køkkenmaskinen starter langsomt og øger hastigheden gradvist. Begynd altid at piske på hastighedstrin 1, og øg gradvist hastigheden efter behov for at reducere risikoen for stænk. Se "Anbefalede hastigheder".

KLARGØRING AF KØKKENMASKINEN

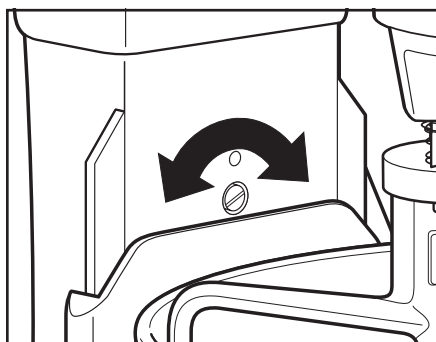
Tilpasning af piskerisets afstand til skålen

Køkkenmaskinen er fra fabrikken indstillet således, at det flade piskeris lige netop er fri af bunden. Hvis det flade piskeris af en eller anden grund rører ved bunden af skålen eller er for langt over skålens bund, kan afstanden nemt indstilles således:

1. Drej hastighedsregulatoren på "0" (SLUKKET).
2. Tag stikket ud af stikkontakten.
3. Løft beskyttelsen.
4. Sænk skålen til laveste position.
5. Drej justeringsskruen til piskerishøjden en smule mod uret (mod venstre) for at hæve det flade piskeris, eller med uret (mod højre) for at sænke det.
6. Juster det flade piskeris således, at det lige netop går fri af skålens bund. Hvis skruen drejes for meget, kan det ske, at løftearmen til skålen ikke fastlåses i den korrekte position.

BEMÆRK: Det flade piskeris må ikke røre ved skålens bund eller side, når det er korrekt indstillet. Såfremt det flade eller det rustfrie ståliskeris er indstillet, så det rører skålens bund, kan belægningen på det flade piskeris blive slidt af (for piskeris med belægning), eller metaltrådene på det rustfrie ståliskeris kan blive slidt.

I visse tilfælde kan det være nødvendigt at skrabe skålens sider af, uanset piskerisets indstilling. Køkkenmaskinen skal stoppes for at skrabe skålen, da køkkenmaskinen ellers kan blive beskadiget.



BRUG AF KØKKENMASKINEN

Brug af KitchenAid-tilbehør

Fladt piskeris til normale/tunge blandinger som f.eks. (Den anbefalede køretid er 1 til 10 minutter afhængigt af opskriften):

kager	tærtedej
cremet glasur	småkager
slik	farsbrød
cookies	kartoffelmos

Piskeris til blandinger, der skal indeholde luft, som f.eks. (Den anbefalede køretid er 1 til 30 minutter afhængigt af opskriften):

æg	kogt glasur
æggehvider	svampekage
flødeskum	mayonnaise

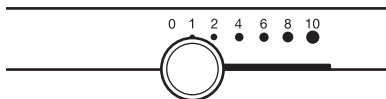
Dejkrog til blanding og æltning af gærdeje som f.eks. (Den anbefalede køretid er 1 til 10 minutter afhængigt af opskriften):

brød	boller
rundstykker	gærkage

BRUG AF KØKKENMASKINEN

Oversigt over hastigheder - køkkenmaskiner med 10 hastigheder

Alle hastighedsindstillingerne har Soft Start-funktion, som automatisk starter køkkenmaskinen ved en lavere hastighed for at forhindre stænk og "melskyer" ved opstart, og som derefter hurtigt øger hastigheden i henhold til indstillingen.



Hastighed	Anvendes til	Tilbehør	Beskrivelse
1	Omrøring		Bruges til langsom omrøring, blanding, mosning og start af alle former for omrøring. Bruges når der skal tilsættes mel og tørre ingredienser til dej, og når der skal tilsættes væsker til tørre ingredienser. Hastighed 1 må ikke bruges til blanding eller æltning af gærdeje.
2	Langsom blanding, æltning		Bruges til langsom blanding, mosning og hurtigere omrøring. Bruges til blanding og æltning af tunge gærdeje og desserter, til den første mosning af kartofler og andre grøntsager, tilsætning af fedtstof til mel, omrøring af tynde eller sprøjtede deje.
4	Blanding, piskning		Bruges til røring af mellemtunge deje som f.eks. småkager. Bruges til at blande sukker og fedtstof og til tilsætning af sukker til æggehviter, der skal bruges til marengs. Middel hastighed til kageblandinger.
6	Piskning af flødeskum		Bruges til mellemløst omrøring (af fløde) eller piskning. Bruges til at færdigrøre kagedeje, og andre deje. Høj hastighed til kagedeje.
8-10	Hurtig omrøring, piskning, hurtig piskning		Til piskning af flødeskum, æggehviter og glasurer. Til piskning af små mængder fløde, æggehviter eller den afsluttende piskning af kartoffelmos.

Dansk

BEMÆRK! Indstil hastigheden på 2 ved blanding og æltning af gærdej. Hvis køkkenmaskinen indstilles på hastigheder, der er højere end de anbefalede, er der stor risiko for, at maskinen bliver beskadiget. Den spiralformede PowerKnead-dejkrog ælter de fleste dejtyper effektivt i løbet af 4 minutter.

Kapacitetsdiagram

	6,9 L skål
Mel	2 til 2,2 kg
Brød	8 brød á 450 g
Småkager/kiks	160 stk.
Kartoffelmos	3,6 kg

VEDLIGEHODELSE OG RENGØRING

Skålen af rustfrit stål, det flade piskeris, piskeren af rustfrit stål, den spiralformede dejkrog og hældeslisken kan vaskes i opvaskemaskinen. Brug ikke rengøringsmidler med en pH-værdi på mindre end 5. De kan også vaskes grundigt i almindeligt varmt opvaskevand og derefter skylles omhyggeligt inden aftørring. Lad ikke tilbehør sidde på maskinen i forbindelse med opbevaring. Køkkenmaskinen må ikke rengøres under en vandstråle eller med en spraydyse.

ADVARSEL

FARE FOR ELEKTRISK STØD

HUSK ALTID AT TRÆKKE STIKKET UD AF STIKKONTAKTEN FØR RENGØRING FOR AT UNDGÅ FAREN FOR ELEKTRISK STØD.

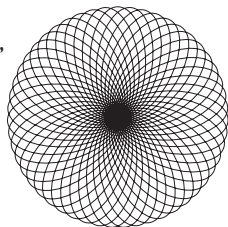
Tør køkkenmaskinen af med en fugtig klud. **KØKKENMASKINEN MÅ IKKE NEDSÆNKES I VAND.** Tør jævnligt piskerakslen af, og fjern eventuelle ophobede rester.

Dansk

TIP TIL FANTASTISKE RESULTATER

Køkkenmaskinens planetariske bevægelser

Når køkkenmaskinen er i brug, bevæger det flade piskeris sig rundt i den stationære skål, mens den samtidig drejer om sin egen akse i modsat retning. Illustrationen viser det mønster, piskeren bevæger sig rundt i skålen i.



5KSM7990 er klassificeret til 500 Watt og anvender en jævnstrømsmotor. Det er en støjsvag og særdeles effektiv motor kombineret med et transmissionssystem med direkte drev, som gør det muligt at køre med 1,3 hk ved spidseffekt (motorudgangseffekt), så selv tung dej kan blandes hurtigt og med gode resultater til følge.

Blandingstid

KitchenAid køkkenmaskinen er hurtigere og grundigere end de fleste andre elektriske røremaskiner. Derfor skal røretiden i de fleste opskrifter reduceres, så der ikke røres eller piskes for længe.

Se på dejen eller blandingen, og rør kun, indtil den har den konsistens, der er beskrevet i opskriften, som f.eks. "jævn og cremet", som en hjælp til at vælge den ideelle omrøringsstid. Se afsnittet "Oversigt over hastigheder" vedrørende valg af de bedste blandehastigheder.

Dansk

Brug af køkkenmaskinen

⚠ ADVARSEL

RISIKO FOR PERSONSKADE

Forsøg ikke at skrabe skålen mens køkkenmaskinen arbejder for at undgå personskade og at beskadige køkkenmaskinen. Sluk for køkkenmaskinen. Hvis skraberens eller en anden genstand falder ned i skålen, skal motoren SLUKKES, før de fjernes.

Skålen og piskeriset er beregnet til at sikre en grundig blanding, uden at der er behov for at skrabe skålen særlig tit. Det er som regel tilstrækkeligt at skrabe skålen en eller to gange, når der røres.

Køkkenmaskinen kan blive varm under brugen. Ved kraftige belastninger under længerevarende omrøring kan det være ubehageligt at røre ved køkkenmaskinens øverste del. Dette er normalt.

Blandingstip

Tilsætning af ingredienser

Tilsæt altid ingredienserne så tæt ved skålens kant som muligt og ikke direkte ind i det roterende piskeris. Hældslesken gør det nemmere at tilsætte ingredienser. Brug hastighed 1, indtil ingredienserne er blandet sammen. Skift derefter trinvis til den ønskede hastighed.

Tilsætning af nødder, rosiner eller kandiseret frugt

Følg de individuelle opskrifter for at få en vejledning i, hvordan disse ingredienser skal tilsættes. Generelt bør faste ingredienser røres i dejen i de allersidste sekunder af omrøringen ved hastighed 1. Dejen skal være så tyk, at frugten eller nødderne forhindres i at falde til bunds i bageformen under bagningen. Frugter, der er klistrede, skal vendes i mel, før de kommes i dejen.

Flydende blandinger

Blandinger, der indeholder store mængder flydende ingredienser, bør blandes ved lavere hastigheder for at undgå, at blandingen sprøjter ud over kanten. Hastigheden bør først sættes op, når blandingen er blevet tykkere.

BEMÆRK:Hvis ingredienserne i bunden af skålen ikke blandes korrekt, når piskeriset ikke tilstrækkeligt langt ned i skålen. Se afsnittet "Klargøring af din køkkenmaskine".

SERVICE OG GARANTI

Når du har brug for hjælp

⚠ ADVARSEL



Fare for elektrisk stød

Træk stikket ud af stikkontakten før vedligeholdelse.

I modsat fald, kan dette resultere i livsfarlige kvæstelser eller elektrisk stød.

Læs følgende, inden du kontakter et servicecenter:

1. Køkkenmaskinen kan blive varm under brug. Ved tunge blandinger og længerevarende omrøring kan det være ubehageligt at røre ved køkkenmaskinens øverste del. Dette er normalt.
2. Køkkenmaskinen kan udsende en stærk lugt, især når den er ny. Dette er helt almindeligt for eldrevne motorer.

3. Hvis det flade piskeris rammer skålen, skal køkkenmaskinen standses. Se afsnittet "Klargøring af din køkkenmaskine".

Hvis din køkkenmaskine ikke fungerer, eller ikke fungerer korrekt, skal du kontrollere følgende:

- Er køkkenmaskinen tilsluttet en stikkontakt?
- Fungerer sikringen på den kreds, som køkkenmaskinen er tilsluttet? Hvis du har et HFI-relæ skal du sikre, at det er tilsluttet.
- Er stopkontakten trukket ud?
- Sluk for køkkenmaskinen i 10-15 sekunder, og tænd derefter igen. Hvis køkkenmaskinen stadig ikke starter, kan du lade den afkøle i en halv time, inden du tænder den igen.
- Se afsnittet "Servicecentre", hvis problemet ikke skyldes nogen af ovenstående punkter.

Garanti på den professionelle KitchenAid-køkkenmaskine med skålløft

Garantiens varighed:	KitchenAid betaler for:	KitchenAid betaler ikke for:
Europa, Australien og New Zealand: Den professionelle køkkenmaskine 5KSM7990: to år fuld garanti fra købsdatoen.	Reserve dele og arbejds løn ved reparation af defekte materialer eller udførelse. Service skal udføres af et autoriseret KitchenAid servicecenter.	Skader opstået på grund af uheld, ændringer på maskinen, forkert betjening, misbrug eller installationer/betjening, der ikke udføres i henhold til de gældende regler for elektrisk udstyr.

Dansk

KITCHENAID PÅTAGER SIG IKKE ANSVARET FOR INDIREKTE SKADER.

SERVICE OG GARANTI

Servicecentre

Al service skal udføres lokalt af et autoriseret KitchenAid servicecenter. Kontakt forhandleren, du har købt apparatet af, for at få navnet på det nærmeste autoriserede KitchenAid-servicecenter.

I Danmark:

C.J.HVIDEVARESERVICE APS
Thorndahlsvej 11
9200 AALBORG SV
Tel: 98 18 21 00
www.cjhvidevareservice.dk

Kundeservice

THUESEN JENSEN A/S:

Smedeland 11
2600 GLOSTRUP
Tlf: 70 20 52 22

www.KitchenAid.eu

Dansk



Technology Center
303 Upton Drive, St. Joseph, MI 49085-1175

**EU – DECLARATION OF CONFORMITY
CE-DECLARATION DE CONFORMITE**

We: WHIRLPOOL CORPORATION, 303 UPTON DR., ST. JOSEPH, MI 49085, USA
Representing: WHIRLPOOL EUROPE S.r.l I-21025 COMERIO

Declare under sole responsibility that the product:

KitchenAid™ Stand Mixers: Model 5KSM79XX+

Where:

XX = up to 2 alphanumeric characters, which represents the features, distributor code and/or color

+ = May or may not be followed by five or more digit suffix codes to indicate change in aesthetics

to which this declaration relates, is in conformity with the following standard(s) or other normative document(s):

- IEC 60335-1: Ed.5: 2010**
- IEC 60335-2-64: Edition 3.1 2008-03**
- EN 55014-1:2006 + A1:2009**
- EN 55014-2:1997 + A1:2001 + A2:2008**
- EN 61000-3-2:2006 + A1:2009 + A2:2009**
- EN 61000-3-3:2008**
- EN 62233:2008**

The model listed conforms to the provisions of Directive (s):

- | | |
|---------------------|---|
| 2004/108/EC | ELECTROMAGNETIC COMPATABILITY DIRECTIVE |
| 2006/95/EC | LOW VOLTAGE DIRECTIVE |
| 2006/42/EC | MACHINERY DIRECTIVE |
| 10/2011/EU | PLASTIC MATERIALS INTENDED TO CONTACT FOOD |
| 1935/2004/EC | MATERIALS INTENDED TO CONTACT FOOD |

Dansk

Place and Date:
Saint Joseph, MI, USA
30 January, 2012

Represented by:

Mark Dahmer
Engineering Director
KitchenAid Portable Appliances Division



FOR THE WAY IT'S MADE.

© 2012. Alle rettigheder forbeholdes.
Specifikationerne kan ændres uden forudgående varsel.

W10308298C

07/12



KitchenAid

6.9 L PROFESSIONAL BOWL-LIFT STAND MIXER

Original Instructions

KÜCHENMASCHINE MIT SCHÜSSELHEBER UND 6,9 L SCHÜSSEL FÜR DEN GEWERBLICHEN EINSATZ

Originalanleitungen

ROBOT SUR SOCLE PROFESSIONNEL À BOL RELEVABLE DE 6,9 L

Instructions d'origine

ROBOT DA CUCINA PROFESSIONALE CON SOLLEVAMENTO CIOTOLA DA 6,9 L

Istruzioni originali

6,9 L PROFESSIONELE MIXER/KEUKENROBOT MET IN DE HOOGTE VERSTELBARE KOM

Originele instructies

BATIDORA PROFESIONAL DE PIE CON BOL ELEVABLE DE 6,9 L

Instrucciones originales

BATEDEIRA PROFISSIONAL COM SUPORTE PARA TAÇA DE 6,9 L

Intruções originais

ΕΠΑΓΓΕΛΜΑΤΙΚΟ ΜΙΞΕΡ ΜΕ ΒΑΣΗ ΚΑΙ ΥΠΕΡΥΨΩΜΕΝΟ ΜΠΟΛ 6,9 L

Αρχικές οδηγίες

6,9 L PROFESSIONELL KÖKSMASKIN MED SKÅL PÅ HÄVARM

Originalinstruktioner

6,9 L BOLLELØFTENDE KJØKKENMASKIN

Originale instruksjoner

6,9 L AMMATIKÄYTTÖÖN TARKOITETTU YLEISKONE

Alkuperäiset ohjeet

6,9 L PROFESSIONEL KØKKENMASKINE MED SKÅLLØFT

Originale Instruktioner

6,9 L BORDHRÆRIVÉL MEÐ LYFTANLEGRI SKÁL FYRIR FAGFÓLK

Upphaflegar leiðbeiningar

ПРОФЕССИОНАЛЬНЫЙ МИКСЕР СО СЪЕМНОЙ ЧАШЕЙ 6,9 Л

Оригинальные инструкции

PROFESJONALNY MIKSER STOJĄCY Z PODNOSZONĄ DZIEŻĄ 6,9 L

Originalna instrukcja

PROFESIONÁLNÍ KUCHYŇSKÝ ROBOT SE ZVEDACÍ MÍSOU O OBJEMU 6.9 L

Originální pokyny

PROFESIONÁLNY KUCHYŇSKÝ ROBOT SO ZDVÍHACOU MISOU O OBJEME 6,9 L

Originálne pokyny

MIXER PROFESIONAL CU SOCLU ŞI BOL DE 6,9 L

Instrucţiuni originale

ПРОФЕСИОНАЛЕН КУХНЕНСКИ РОБОТ С ПОВДИГАЩА СЕ КУПА С ВМЕСТИМОСТ 6,9 L

Оригинални инструкции

Model 5KSM7990*

Efnisyfirlit

ÖRYGGI BORDHRÆRIVÉLAR

Mikilvæg öryggisatriði.....	183
Kröfur um rafmagn.....	184
Förgun rafbúnaðar.....	184

HLUTAR OG EIGINLEIKAR..... 185

BORDHRÆRIVÉLIN UNDIRBÚIN FYRIR NOTKUN

Borðhrærivélin sett saman.....	186
Bilið á milli hrærara og skálar stillt.....	188

BORDHRÆRIVÉLIN NOTUÐ

Notkun KitchenAid aukahluta.....	188
Leiðarvísir um hraðastýringu - 10 þrepa borðhrærivélar.....	189

UMHIRÐA OG HREINSUN..... 190

RÁÐ FYRIR FRÁBÆRAN ÁRANGUR

Hreyfimyntur.....	191
Blöndunartími.....	191
Notkun hrærivélar.....	191
Ráð um blöndun.....	191

ÞJÓNUSTA OG ÁBYRGÐ

Ef vandamál koma upp.....	192
Ábyrgð á KitchenAid borðhrærivél með lyftanlegri skál til notkunar í atvinnuskyni.....	192
Þjónustuaðilar.....	193
Þjónusta við viðskiptavini.....	193

Öryggi þitt og öryggi annarra er mjög mikilvægt.

Við höfum sett mörg mikilvæg öryggisfyrirmæli í þessa handbók og á tækið þitt. Áriðandi er að lesa öll öryggisfyrirmæli og fara eftir þeim.



Þetta er öryggisviðvörðunartákn.

Þetta tákn varar þig við hugsanlegum hættum sem geta deytt eða meitt þig og aðra.

Öllum öryggisviðvörðunartáknum fylgja öryggisfyrirmæli og annaðhvort orðið „HÆTTA“ eða „VIÐVÖRUN“. Þessi orð merkja:

HÆTTA

Pú getur dáið eða slasast alvarlega ef þú fylgir ekki leiðbeiningunum þegar í stað.

VIÐVÖRUN

Pú getur dáið eða slasast alvarlega ef þú fylgir ekki leiðbeiningum.

Öll öryggisfyrirmælin segja þér hver hugsanlega hættan er, segja þér hvernig draga á úr hættu á meiðslum og segja þér hvað getur gerst ef leiðbeiningum er ekki fylgt.

Mikilvæg öryggisatriði

Við notkun raftækja þarf ávallt að fylgja grundvallaröryggisráðstöfunum, þar á meðal:

1. Lestu allar leiðbeiningar.
2. Aldrei má setja borðhrærivélina í vatn eða annan vökva því það getur valdið raflosti.
3. Náíð eftirlit er nauðsynlegt þegar tæki eru notuð af eða nálægt börnum.
4. Alltaf skal taka borðhrærivélina úr sambandi þegar hún er ekki í notkun, þegar aukahlutir eru settir á eða teknir af henni og áður en hún er hreinsuð.
5. Forðastu að snerta hluti sem hreyfast. Til að koma í veg fyrir slys og/eða skemmdir á borðhrærivélinni á að halda höndum, hári og fatnaði, sem og sleifum og öðrum áhöldum, frá hrærarannum þegar vélin er í gangi.
6. Ekki nota borðhrærivélina ef snúran eða klóin er skemmd eða eftir að vélin bilar eða hún hefur dottið eða skemmt á einhvern hátt.
7. Notkun aukahluta sem KitchenAid hvorki mælir með né selur getur valdið eldsvoða, raflosti eða meiðslum.
8. Notaðu borðhrærivélina ekki utanhúss.
9. Ekki láta snúruna ekki hanga fram af borði eða bekk.
10. Taktu hrærarann, þeytarann eða deigkrókinn af borðhrærivélinni fyrir þvott.
11. Ekki er ætlast til að einstaklingar (þ.m.t. börn) sem hafa skerta líkamlega, skynjunarlega eða andlega hæfni eða skortir reynslu og þekkingu noti þetta tæki – nema sá sem ber ábyrgð á öryggi viðkomandi hafi veitt manneskjunni sérstaka leiðsögn í notkun tækisins.

**GEYMDU ÞESSAR LEIÐBEININGAR
ÞESSI VARA ER HÖNNUÐ TIL NOTKUNAR
Í ATVINNUSKYNI**

Kröfur um rafmagn

⚠ VÍÐVÖRUN



Hætta á raflosti

Settu í samband við jarðtengdan tengil.

Ekki fjarlægja jarðtengipinnann.

Ekki nota millistykki.

Ekki nota framlengingarsnúru.

Misbrestur á að fylgja þessum leiðbeiningum getur leitt til dauða, eldsvoða eða raflosti.

Volt: 220-240 viðstraumur
Hertz: 50/60 Hz
Afl: 325 W, mælt er með
vinnslutímanum 1-30 mín, endurtaka
þarf í hlutfallinu 10 mín kveikt/15 mín
slökkt.

ATH.: Afl borðhrærivélarinnar
þinnar er prentað á raðplötuna
sem er undir borðhrærivélinni.

Ekki nota framlengingarsnúru.
Ef rafmagnssnúran er of stutt skaltu
láta fullgildan rafvirkja eða þjónustuaðila
setja upp tengil nálægt tækinu.

Rafafi í vöttum er ákvarðað með
notkun aukahluta sem skapa mesta
álagið (orka). Aðrir ráðlagðir aukahlutir
kunna að nota umtalsvert minni orku.

Þessi vara er seld með rafmagnssnúru
af Y-tegund. Ef rafmagnssnúran er
skemmd verður framleiðandi eða
þjónustuaðili að skipta um hana til
að koma í veg fyrir hættu.


Hljóðþrýstingurinn mældur í samræmi við kóða prEN 454-prófsins er minni en
70 desibil (dBA).

Táknið * í tegundarnúmerinu sýnir að tækið er með aukabúnað umfram upphaflegu
gerðina, eins og sérstakan lit og vélfræðilega eiginleika (t.d. 5KSM7990*).

Förgun rafbúnaðar

Merkingar á þessu tæki eru í samræmi
við tilskipun Evrópuþingsins og ráðsins
2002/96/EB um raf- og rafeinda-
búnaðarúrgang (Waste Electrical
and Electronic Equipment (WEEE)).

Sé þess gætt að vörinni sé fargað á réttan
hátt er stuðlað að því að koma í veg fyrir
möguleg neikvæð áhrif á umhverfi og
lýðheilsu sem komið geta fram, sé vörinni
ekki fargað eins og til er ætlast.

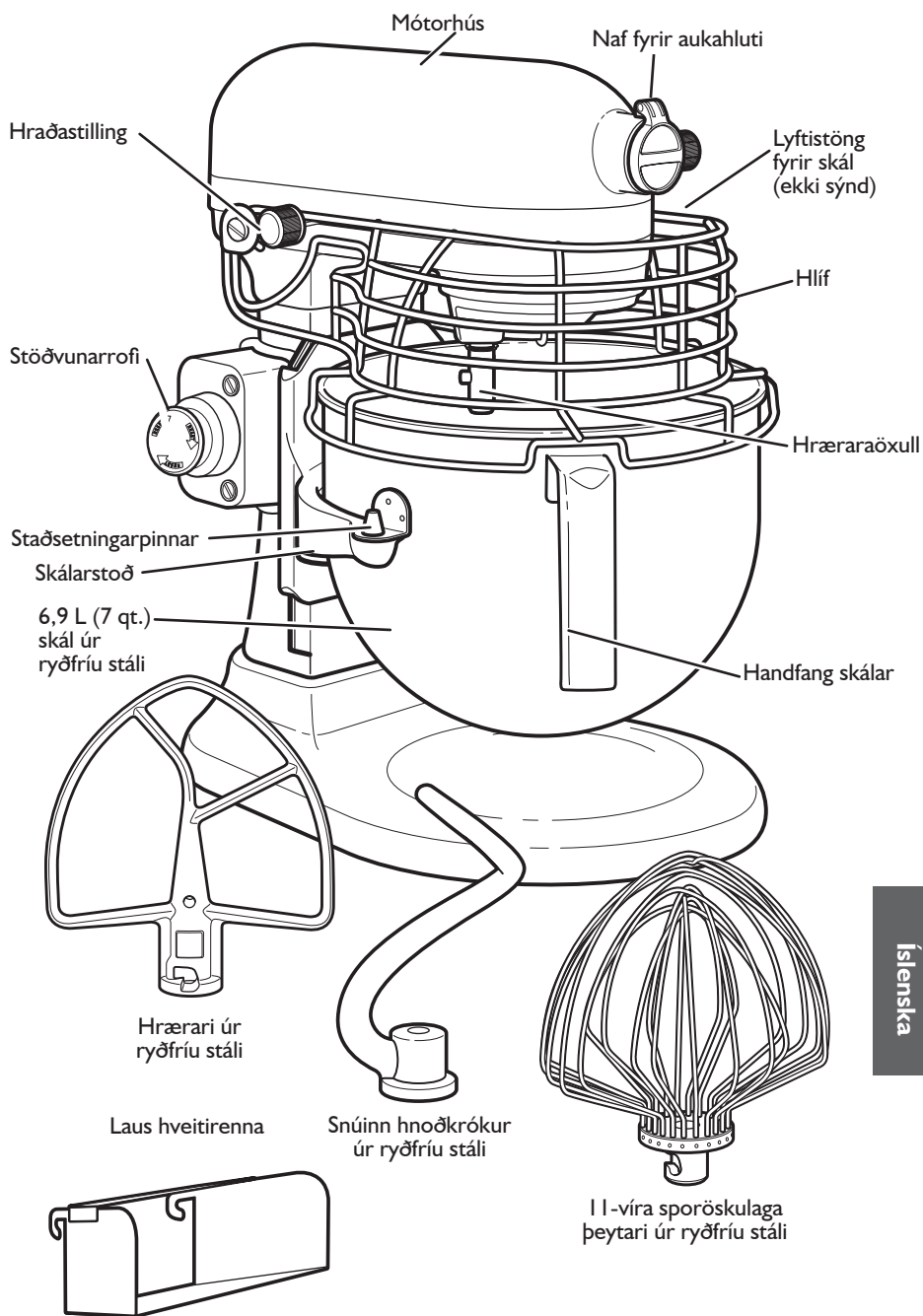
Táknið  á vörinni, eða á skjölum sem
fylgja vörinni, gefur til kynna að ekki megi
meðhöndla þetta tæki sem heimilisúrgang.
Þess í stað skal afhenda hana á viðeigandi

stað þar sem raf- og rafeindabúnaði
er safnað saman til endurvinnslu.

Förgun verður að fara fram í samræmi
við umhverfisreglugerðir á staðnum um
förgun úrgangs.

Fyrir ítarlegri upplýsingar um
meðhöndlun, endurheimt og
endurvinnslu þessarar vöru skaltu
vinsamlegast hafa samband við
bæjarstjórnarskrifstofur í þínum
heimabæ, heimilissorpförgunar-
þjónustu eða verslunina þar sem
þú keyptir vöruna.

HLUTAR OG EIGINLEIKAR



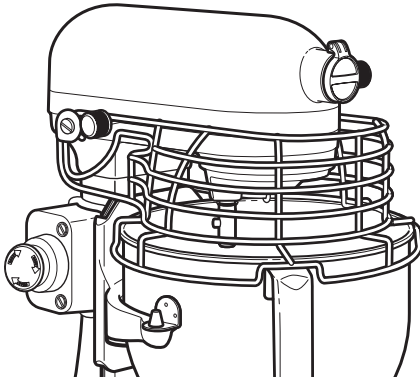
BORÐHRÆRIVÉLIN UNDIRBÚIN FYRIR NOTKUN

Borðhrærivélin sett saman

Skálin sett á

1. Snúðu hraðastillingunni á „0“ (SLÖKKT).
2. Taktu borðhrærivélina úr sambandi eða taktu strauminn af.
3. Lyftu hlífinni.
4. Settu lyftistöng skálar í niður-stöðu.
5. Settu skálarstöðirnar yfir staðsetningarpinnana.
6. Þrýstu skálinni niður að aftan þar til skálarpinninn smellur inn í fjaðurlásinn.

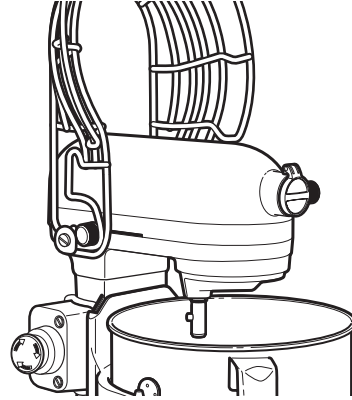
ATH.: Ef skálinn fellur ekki örugglega á sinn stað verður hún óstöðug og vaggar við notkun.



7. Láttu hlífina síga.
8. Lyftu skálinni áður en byrjað er að hræra.

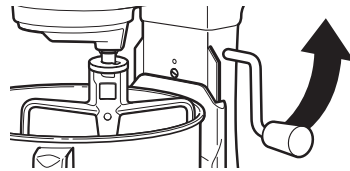
Skálin fjarlægð

1. Snúðu hraðastillingunni á „0“ (SLÖKKT).
2. Taktu borðhrærivélina úr sambandi eða taktu strauminn af.
3. Lyftu hlífinni.



4. Settu lyftistöng skálar í niður-stöðu.
5. Fjarlægðu flata hrærarann, þeytarann eða deigkrókinn.
6. Gríptu í handfang skálar og lyftu henni beint upp og af staðsetningarpinnunum.

Skálinni lyft



1. Snúðu handfangi rangsælis í beint upp-stöðu.
2. Skálin verður alltaf að vera á lofti og læst í stöðu þegar hrært er.

BORÐHRÆRIVÉLIN UNDIRBÚIN FYRIR NOTKUN

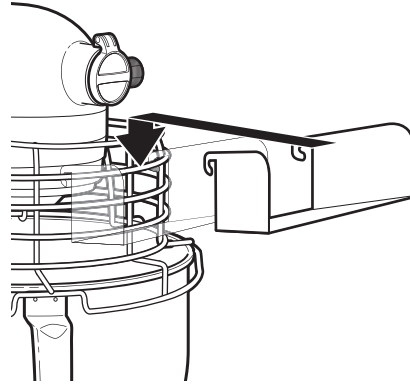
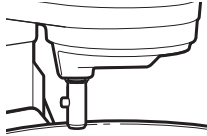
UPPSETNING: Setja skal borðhrærivélina upp á láréttum og stöðugum fleti, svo sem borðplötu eða vinnuborði.

Skálin látin síga

1. Snúðu stönginni til baka og niður.

Hrærari, þeytari eða hnoðkrókur settur á

1. Snúðu hraðastillingunni á „0“ (SLÖKKT).
2. Taktu borðhrærivélina úr sambandi eða taktu strauminn af.
3. Lyftu hlífinni.
4. Renndu hræraranum upp á hræraraöxulinn og þrýstu eins langt upp og hægt er.
5. Snúðu hræraranum til hægri svo hann krækist yfir pinnann eða öxulinn.



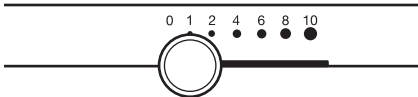
Laus hveitirenna

Lausa hveitirennan festist auðveldlega framan á hlífina eins og sýnt er á teikningunni að ofan. Hún býður upp á þægilega leið til að bæta hráefnum í skál borðhrærivélarinnar.

Hrærari, þeytari eða hnoðkrókur tekinn af

1. Snúðu hraðastillingunni á „0“ (SLÖKKT).
2. Taktu borðhrærivélina úr sambandi eða taktu strauminn af.
3. Lyftu hlífinni.
4. Ýttu hræraranum upp eins og hægt er og snúðu honum til vinstri.
5. Togaðu hrærarann af hræraraöxlinum.

Hraðastilling



Soft Start eiginleikinn lágmarkar skvettur með því að ræsa hrærivélina rólega áður en farið er upp í valinn hraða. Til að draga enn frekar úr hugsanlegum skvettum skal alltaf byrja að hræra á þrepi 1 og síðan auka hraðann smátt og smátt eftir þörfum. Sjá „Leiðarvísi um hraðastillingu“.

Mótorvörn með sjálfvirkri endurstillingu

Ef borðhrærivélin stöðvast vegna yfirálags skal stilla hraðastillinguna á „0“ (SLÖKKT) og taka vélna úr sambandi. Eftir nokkrar mínútur endurstillir borðhrærivélin sig sjálfvirk. Settu borðhrærivélina aftur í samband og stilltu hraðastillinguna á óskaðan hraða og haltu áfram að hræra. Ef borðhrærivélin endurræsir sig ekki skal taka hana úr sambandi í lengri tíma til að leyfa henni að kólna, síðan setja aftur í samband og endurræsa. Ef borðhrærivélin endurræsir sig ekki, sjá „Ef vandamál koma upp“.

Stöðvunarroffi

Ef þú þarft að stöðva borðhrærivélina samstundis þegar hún er í notkun skaltu ýta á Stöðvunarroffann. Til að halda áfram aðgerðum skal endurstilla hraðastillinguna á „0“ (SLÖKKT) og toga út Stöðvunarroffann. Þá er borðhrærivélin tilbúin til venjulegrar notkunar á ný.

BORÐHRÆRIVÉLIN UNDIRBÚIN FYRIR NOTKUN

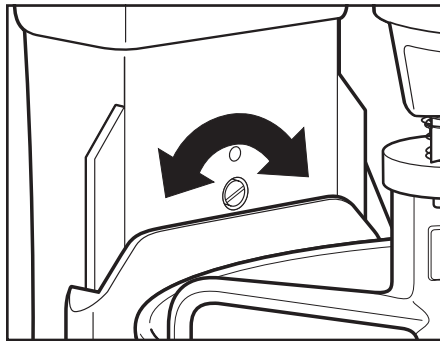
Bilið á milli hrærara og skálar stillt

Frá verksmiðju er hrærivélin stillt þannig að aðeins örlítið bil er á milli hrærarans og skálar. Ef hann af einhverjum ástæðum snertir skálina eða hann er of langt frá botni má stilla bilið á auðveldan hátt.

1. Snúðu hraðastillingunni á „0“ (SLÖKKT).
2. Taktu borðhrærivélinna úr sambandi eða taktu strauminn af.
3. Lyftu hlífinni.
4. Láttu skálina síga í niður-stöðuna.
5. Snúðu hæðarstilliskrúfunni örlítið rangsælis (til vinstri) til að lyfta hræraranum eða réttssælis (til hægri) til að láta hann síga.
6. Stilltu bilið þannig að hrærarinn sé við það að snerta botninn. Ef skrufan er ofstilt getur verið að lyftistöng skálar læsist ekki á sínum stað.

ATH.: Rétt stilltur á hrærarinn hvorki að snerta botn né hliðar skálarinnar. Ef hrærarinn eða þeytarinn eru svo nálægt að þeir snerti botn skálarinnar getur húðunin á hræraranum nuddast af (fyrir húðaða hrærara) eða vírarnir í þeytaranum slitnað.

Það kann að vera nauðsynlegt að skafa hliðar skálarinnar að innan við sérstök skilyrði, burtséð frá stillingu hrærara. Stöðva verður borðhrærivélinna til að skafa skálina, annars getur hrærivélin orðið fyrir skemmdum.



BORÐHRÆRIVÉLIN NOTUÐ

Notkun KitchenAid aukahluta

Hrærari fyrir venjuleg og þykk deig (Ráðlagður vinnslutími er 1-10 mínútur, fer eftir uppskrift):

kökur
kremaður glassúr
sælgæti
smákökur
bökuðeig

kex
fjótleg brauð
kjöthleifar
stappaðar kartöflur

Þeytari fyrir loftmiklar blöndur (Ráðlagður vinnslutími er 1-30 mínútur, fer eftir uppskrift):

egg
eggjahvítur
þeyttur rjómi
soðinn glassúr

svampkökur
majónes

Hnoðkrökur fyrir vinnslu gerdeigs (Ráðlagður vinnslutími er 1-10 mínútur, fer eftir uppskrift):

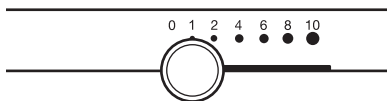
brauð
bollur

kaffibrauð
brauðsnúðar

BORÐHRÆRIVÉLIN NOTUÐ

Leiðarvísir um hraðastýringu - 10 þrepa borðhrærivélar

Allar hraðastillingar byrja sjálfkrafa með Soft Start-eiginleikanum, sem þýðir að borðhrærivélin byrjar á hæfum hraða þegar hún er sett í gang til að koma í veg fyrir skvettur og „hveitirok“ í byrjun. Hún eykur svo hraðann fljótlega upp í valinn hraða fyrir besta árangur.



Hraði	Notkun	Aukahlutir	Lýsing
1	Hrært í		Hæg hreyfing, blandar og mylur, byrjunarstig allrar vinnslu. Notað til að bæta hveiti og þurrum efnum í deig og blanda vökva í þurr efni. Ekki nota þrep 1 til að blanda eða hnoða gerdeig.
2	Blandað hægt, hnoðað		Hæg hreyfing, blandar og mylur hraðar. Notað til að blanda og hnoða gerdeig, þykk deig og sælgæti; byrja að stappa kartöflur eða annað grænmeti; blanda feiti við hveiti; blanda þunnt deig sem kann slettast.
4	Blandað, hrært		Til að blanda millipykk deig, svo sem kókudeig. Notað til að blanda sykri og feiti og til að bæta sykri út í eggjahvítur til dæmis til að búa til marens. Miðlungshraði fyrir kókublöndur.
6	Hrært, kremað		Til að hræra á miðlungshraða (kremun) eða þeyta. Notað sem lokastig á kókudeig, kleinuhringi og önnur deig. Hæsti hraði fyrir kókudeig.
8-10	Hrært hratt, þeytt, þeytt hratt		Notað til að þeyta rjóma, eggjahvítur og glassúr. Notað til að þeyta minni skammta af rjóma, eggjahvítur eða til að ljúka við kartöflumús.

ATH.: Notaðu þrep 2 til að hræra eða hnoða gerdeig. Ef önnur þrep eru notuð er hættu á að borðhrærivélin geti bilað. Hnoðkrókurinn hnoðar á skilvirknan hátt flest gerdeig á innan við 4 mínútum.

Rúmtakstafla

	6,9 L skál
Hveiti	2 til 2,2 kg
Brauð	8 stk. af 450 gr. brauðum
Kökur / kex	160 stykki
Kartöflustöppur	3,6 kg

UMHIRÐA OG HREINSUN

Þvo má ryðfríu skálina, ryðfría og silfurhúðaða hrærarann, ryðfría og silfurhúðaða hnoðkrókinn, ryðfría þeytarann og hveitirennuna í uppþvottavél. Notið ekki hreinsiefni með pH lægra en 5. Einnig má hreinsa þá upp úr heitu sápuvatni og skola vel fyrir þurrkun. Aðra hluti, sem ekki eru úr ryðfríu stáli, skal ekki setja í uppþvottavél, heldur hreinsa þá upp úr heitu sápuvatni og skola vel fyrir þurrkun. Ekki á að geyma hrærara á hræraraöxlinum. Ekki skal hreinsa borðhrærivélina með vatnsbunu eða úðaslöngu.

⚠ VIÐVÖRUN

HÆTTA Á RAFLOSTI

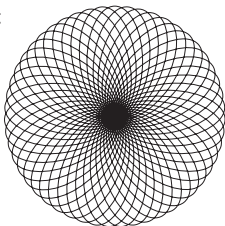
GÆTTU ÞESS ALLTAF AÐ TAKA HRÆRIVÉLINA ÚR SAMBANDI ÁÐUR EN HÚN ER HREINSUÐ, TIL AÐ FORÐAST MÖGULEGT RAFLOST.

Þurrkaðu hrærivél með rökum klút. **DÝFÐU VÉLINNI EKKI Í VATN.** Þurrkaðu oft af hræraraöxlinum til að fjarlægja leifar sem kunna að safnast þar.

RÁÐ FYRIR FRÁBÆRAN ÁRANGUR

Hreyfimylnstur

Við notkun hreyfist hrærarinn í hring í kyrri skálinni og snýst jafnframt um sjálfan sig í hina áttina. A myndinni sést hvernig hrærarinn fer um alla skálina.



5KSM7990 er mæld 500 vött og notar jafnstraumsmótor. Það er hljóðlátur og sérlega skilvirkur mótor í samvinnu við girakerfi með beinu drifi: þetta gerir kleift að knýja 1,3 hestöflin á mesta afli (úttaksmótorafli), sem auðveldar hraðan og framúrskarandi blöndunarárangur, jafnvel með þungu deigi.

Blöndunartími

KitchenAid hrærivélin þín vinnur hraðar og betur en flestar aðrar rafmagnshrærivélar. Því verður að miða vinnslutíma uppskrifta við þetta til að koma í veg fyrir ofhræringu.

Til að finna út blöndunartímann verður að fylgjast með deiginu og blanda aðeins þangað til deigið hefur náð því útliti sem það á að hafa samkvæmt uppskriftinni, t.d. „mjúkt og kremið“. Til að velja bestu blöndunarhraðana skal nota kaflann „Leiðarvísir um hraðastillingu“.

Notkun hrærivélar

!VIÐVÖRUN

HÆTTA Á LÍKAMSTJÓNI

Til að forðast líkamstjón og skemmdir á hræranum skal ekki reyna að skafa skálina á meðan hrærivélin er í gangi; slökktu á hrærivélinni. Ef skafa eða annar hlutur dettur ofan í skálina skal **SLÖKKVA** á mótornum áður en hluturinn er fjarlægður.

Hönnun skálar og hrærarar miðast við að ekki þurfi að skafa skálina oft. Yfirleitt nægir að skafa einu sinni eða tvisvar við hverja hræru.

Borðhrærivélin getur hitnað við notkun. Ef álagið er mikið í langan tíma er ekki víst að þægilegt sé að snerta borðhrærivélinna að ofan. Þetta er eðlilegt.

Ráð um blöndun

Hráefnum bætt við

Alltaf skal bæta í hráefnum eins nálægt hlið skálarinnar og hægt er en ekki beint inn í hrærarann á hreyfingu. Hægt er að nota hveitirennuna til að einfalda þetta. Notaðu þrep 1 þar til hráefnin hafa blandast. Bættu síðan smá saman við þar til réttum hraða er náð.

Hnetum, rúsinum eða sykruðum ávöxtum bætt út í

Fylgdu einstökum uppskriftum varðandi leiðbeiningar um hvernig þessi hráefni eru látin út í. Almennt séð skal blanda hörðum efnum saman við á síðustu sekúndum blöndunar á þrepi 1. Deigið á að vera nógu þykkt til að hneturnar eða ávextirnir sökkvi ekki til botns í forminu þegar bakað er. Klístrugum ávöxtum á að velja upp úr hveiti til að þeir dreifist betur um deigið.

Fljótandi blöndur

Blöndur sem innihalda mikinn vökva á að hræra á lægri hraða til að koma í veg fyrir skvettur. Hraðiinn er aukinn eftir að blandan hefur þykknáð.

ATH.: Ef deigið blandast ekki nægilega vel í botni skálarinnar þá er hrærarinn ekki nógu neðarlega í skálinni. Sjá hlutann „Borðhrærivélin undirbúin fyrir notkun“.

ÞJÓNUSTA OG ÁBYRGÐ

Ef vandamál koma upp

⚠ VIÐVÖRUN



Hætta á raflosti

Taktu vélinu úr sambandi áður en átt er við hana.

Ef það er ekki gert getur það valdið dauða eða raflosti.

Vinsamlegast lestu eftirfarandi áður en samband er haft við þjónustuaðila.

1. Borðhrærivélin getur hitnað við notkun. Ef álagið er mikið í langan tíma getur mótorkúsið orðið svo heitt að varla er hægt að hafa hönd á því. Þetta er eðlilegt.
2. Borðhrærivélin getur gefið frá sér sterka lykt, sérstaklega þegar hún er ný. Þetta á almennt við um rafmagnsmótora.

3. Ef hrærarinn rekst í skálina skal stöðva borðhrærivélinu. Sjá hlutann „Borðhrærivélin sett upp“.

Vinsamlegast athugaðu eftirfarandi ef borðhrærivélin bilar eða virkar ekki:

- Er borðhrærivélin í sambandi?
- Er öryggið fyrir innstunguna sem borðhrærivélin notar í lagi? Gakktu úr skugga um að lekaliði hafi ekki slegið út.
- Er Stöðvunarroffinn dreginn út?
- Slökktu á borðhrærivélinni í 10-15 sekúndur og kveiktu svo á henni aftur. Ef hún fer samt ekki í gang skal láta hana standa og kólna í 30 mínútur áður en reynt er aftur.
- Ef vandamálið er ekkert af ofansögðu skal hafa samband við þjónustuaðila.

Ábyrgð á KitchenAid borðhrærivél með lyftanlegri skál til notkunar í atvinnuskyni

Lengd ábyrgðar:	KitchenAid greiðir fyrir:	KitchenAid greiðir ekki fyrir:
Evrópa, Ástralía og Nýja Sjáland: Fyrir atvinnu-hrærivélinu 5KSM7990: Eins árs full ábyrgð frá kaupdegi.	Varahluti og viðgerðar-kostnað til að lagfæra galla í efni eða handverki. Þjónustan skal veitt af viðurkenndum KitchenAid þjónustuaðila.	Skemmdir sem verða fyrir slysn, vegna breytinga, misnotkunar, ofnotkunar, eða uppsetningar/notkunar sem ekki er í samræmi við raforkulög í landinu.

Íslenska

KITCHENAID TEKUR ENGA ÁBYRGÐ Á ÓBEINUM SKEMMDUM.

ÞJÓNUSTA OG ÁBYRGÐ

Þjónustuaðilar

Öll þjónusta á hverjum stað skal veitt af viðurkenndum KitchenAid þjónustuaðila. Hafðu samband við þann söluaðila sem tækið var keypt af til að fá nafnið á næsta viðurkennda KitchenAid þjónustuaðila.

EINAR FARESTVEIT & CO.HF

Borgartúni 28
125 REYKJAVÍK
ISLAND

Sími: 520 7900

Fax: 520 7910

ef@ef.is

www.kitchenaid.is

www.ef.is

Þjónusta við viðskiptavini

EINAR FARESTVEIT & CO.hf

Borgartúni 28
125 REYKJAVÍK
ISLAND

Sími: 520 7900

Fax: 520 7910

ef@ef.is

www.kitchenaid.is

www.ef.is

www.KitchenAid.eu

Íslenska



Technology Center
303 Upton Drive, St. Joseph, MI 49085-1175

**EU – DECLARATION OF CONFORMITY
CE-DECLARATION DE CONFORMITE**

We: WHIRLPOOL CORPORATION, 303 UPTON DR., ST. JOSEPH, MI 49085, USA
Representing: WHIRLPOOL EUROPE S.r.l I-21025 COMERIO

Declare under sole responsibility that the product:

KitchenAid™ Stand Mixers: Model 5KSM79XX+

Where:

XX = up to 2 alphanumeric characters, which represents the features, distributor code and/or color

+ = May or may not be followed by five or more digit suffix codes to indicate change in aesthetics

to which this declaration relates, is in conformity with the following standard(s) or other normative document(s):

- IEC 60335-1: Ed.5: 2010**
- IEC 60335-2-64: Edition 3.1 2008-03**
- EN 55014-1:2006 + A1:2009**
- EN 55014-2:1997 + A1:2001 + A2:2008**
- EN 61000-3-2:2006 + A1:2009 + A2:2009**
- EN 61000-3-3:2008**
- EN 62233:2008**

İslenska

The model listed conforms to the provisions of Directive (s):

- | | |
|---------------------|---|
| 2004/108/EC | ELECTROMAGNETIC COMPATABILITY DIRECTIVE |
| 2006/95/EC | LOW VOLTAGE DIRECTIVE |
| 2006/42/EC | MACHINERY DIRECTIVE |
| 10/2011/EU | PLASTIC MATERIALS INTENDED TO CONTACT FOOD |
| 1935/2004/EC | MATERIALS INTENDED TO CONTACT FOOD |

Place and Date:
Saint Joseph, MI, USA
30 January, 2012

Represented by:

Mark Dahmer
Engineering Director
KitchenAid Portable Appliances Division



FOR THE WAY IT'S MADE.

© 2012. Öll réttindi áskilin.
Upplýsingar geta breyst án fyrirvara.

KitchenAid

6.9 L PROFESSIONAL BOWL-LIFT STAND MIXER

Original Instructions

KÜCHENMASCHINE MIT SCHÜSSELHEBER UND 6,9 L SCHÜSSEL FÜR DEN GEWERBLICHEN EINSATZ

Originalanleitungen

ROBOT SUR SOCLE PROFESSIONNEL À BOL RELEVABLE DE 6,9 L

Instructions d'origine

ROBOT DA CUCINA PROFESSIONALE CON SOLLEVAMENTO CIOTOLA DA 6,9 L

Istruzioni originali

6,9 L PROFESSIONELE MIXER/KEUKENROBOT MET IN DE HOOGTE VERSTELBARE KOM

Originele instructies

BATIDORA PROFESIONAL DE PIE CON BOL ELEVABLE DE 6,9 L

Instrucciones originales

BATEDEIRA PROFISSIONAL COM SUPORTE PARA TAÇA DE 6,9 L

Intruções originais

ΕΠΑΓΓΕΛΜΑΤΙΚΟ ΜΙΞΕΡ ΜΕ ΒΑΣΗ ΚΑΙ ΥΠΕΡΥΨΩΜΕΝΟ ΜΠΟΛ 6,9 L

Αρχικές οδηγίες

6,9 L PROFESSIONELL KÖKSMASKIN MED SKÁL PÅ HÄVARM

Originalinstruktioner

6,9 L BOLLELØFTENDE KJØKKENMASKIN

Originale instruksjoner

6,9 L AMMATIKÄYTTÖÖN TARKOITETTU YLEISKONE

Alkuperäiset ohjeet

6,9 L PROFESSIONEL KØKKENMASKINE MED SKÅLLØFT

Originale Instruktioner

6,9 L BORDHRÆRIVÉL MED LYFTANLEGRI SKÁL FYRIR FAGFÓLK

Upphaflegar leiðbeiningar

ПРОФЕССИОНАЛЬНЫЙ МИКСЕР СО СЪЕМОЙ ЧАШЕЙ 6,9 Л

Оригинальные инструкции

PROFESJONALNY MIKSER STOJĄCY Z PODNOSZONĄ DZIEŻĄ 6,9 L

Originalna instrukcja

PROFESIONÁLNÍ KUCHYŇSKÝ ROBOT SE ZVEDACÍ MÍSOU O OBJEMU 6.9 L

Originální pokyny

PROFESIONÁLNY KUCHYŇSKÝ ROBOT SO ZDVÍHACOU MISOU O OBJEME 6,9 L

Originálne pokyny

MIXER PROFESIONAL CU SOCLU ŞI BOL DE 6,9 L

Instrucţiuni originale

ПРОФЕСИОНАЛЕН КУХНЕНСКИ РОБОТ С ПОВДИГАЩА СЕ КУПА С ВМЕСТИМОСТ 6,9 L

Оригинални инструкции

Model 5KSM7990*

Содержание

ИНСТРУКЦИИ ПО ТЕХНИКЕ БЕЗОПАСНОСТИ	
Меры предосторожности	198
Требования к электропитанию.....	199
Утилизация электрических отходов	199
ЧАСТИ И ХАРАКТЕРИСТИКИ	200
НАЛАДКА ВАШЕГО СТАЦИОНАРНОГО МИКСЕРА	
Сборка вашего стационарного миксера.....	201
Расстояние между взбивалкой и стенками чаши	203
ИСПОЛЬЗОВАНИЕ ВАШЕГО СТАЦИОНАРНОГО МИКСЕРА	
Использование насадок миксера KitchenAid	203
Руководство для регулировки частоты вращения - стационарные миксеры с 10 скоростями	204
УХОД И ОЧИСТКА	205
ПОЛЕЗНЫЕ СОВЕТЫ ДЛЯ ДОСТИЖЕНИЯ НАИЛУЧШИХ РЕЗУЛЬТАТОВ	
Способ смешивания по планетарному принципу	206
Время смешивания	206
Использование миксера.....	206
Советы по смешиванию	206
ТЕХНИЧЕСКОЕ ОБСЛУЖИВАНИЕ И ГАРАНТИЯ	
Если требуется ремонт	207
Профессиональный стационарный миксер со съемной чашей KitchenAid Гарантийные обязательства	207
Центры обслуживания	208
Обслуживание клиентов	208

ИНСТРУКЦИИ ПО ТЕХНИКЕ БЕЗОПАСНОСТИ

Ваша безопасность и безопасность других стоит на первом месте.

В данной инструкции и на вашем устройстве мы разместили множество важных сообщений о безопасности. Обязательно прочтите все сообщения о безопасности и следуйте их указаниям.



Это символ предупреждения об опасности.

Этот символ предупреждает вас о возможных опасностях, способных нанести травму или даже убить вас и других людей.

Все сообщения о безопасности следуют за этим символом и словами «ОПАСНОСТЬ» или «ВНИМАНИЕ». Эти слова означают:

! ОПАСНОСТЬ

Мы можете погибнуть или получить тяжелые травмы, если немедленно не последуете инструкциям.

! ВНИМАНИЕ

Мы можете погибнуть или получить тяжелые травмы, если не последуете инструкциям.

Предупреждения об опасности укажут вам на потенциальную опасность, дадут рекомендации относительно того, как уменьшить вероятность травмы, а также на то, что может произойти, если вы не будете следовать инструкциям.

Меры предосторожности

Во избежание риска пожара, поражения электрическим током или повреждений при использовании миксера необходимо соблюдать основные меры предосторожности, включая следующие:

1. Прочтите все инструкции.
2. Во избежание риска поражения током категорически запрещено погружать миксер в воду или другую жидкость.
3. Не позволяйте детям использовать миксер или играть с ним.
4. Отсоедините миксер от розетки, когда вы его не используете, перед установкой или снятием насадок, а также перед чисткой.
5. Избегайте контакта с движущимися деталями. Для предотвращения травм и/или повреждения миксера при его использовании не допускайте соприкосновения насадки-взбивалки с руками, волосами, одеждой, а также с приборами и другими кухонными принадлежностями.
6. Не используйте миксер с повреждённым шнуром питания или после падения прибора, или какого-либо повреждения.
7. Использование насадок, не рекомендованных фирмой KitchenAid, может привести к пожару, поражению электрическим током или травме.
8. Не использовать вне помещения.
9. Не допускайте свисания шнура питания с края стола или другой рабочей поверхности и контакта с горячими предметами.
10. Удаляйте плоскую взбивалку, проволочный венчик или крюк для замешивания теста из миксера перед мытьём.
11. Данное устройство не предназначено для использования лицами (в т.ч. детьми) с пониженной остротой органов чувств или пониженными умственными способностями, а также лицами, не обладающими достаточным опытом и знаниями, за исключением случаев, когда они используют устройство под наблюдением или руководством лица, отвечающего за их безопасность.

СОХРАНИТЕ ДАННОЕ РУКОВОДСТВО

ДАННОЕ УСТРОЙСТВО ПРЕДНАЗНАЧЕНО ТОЛЬКО
ДЛЯ ПРОФЕССИОНАЛЬНОГО ИСПОЛЬЗОВАНИЯ

Требования к электропитанию

ВНИМАНИЕ



Опасность поражения электрическим током

Подключите к заземленной розетке.

Не удаляйте заземляющий электрод.

Не используйте адаптер.

Не используйте удлинитель.

Несоблюдение этих инструкций может привести к смерти, пожару или поражению электрическим током.

Вольт: 220-240 А.С.

Герц: 50/60 Гц

Мощность: 325 Вт, рекомендуемое время

работы: 1-30 минут с рабочим циклом 10 мин. ВКЛ. / 15 мин. ВЫКЛ.

ПРИМЕЧАНИЕ: Данные о номинальной мощности вашего миксера указаны на табличке с серийным номером, которая находится в нижней части прибора.

Не используйте удлинитель. Если шнур питания слишком короткий, необходимо установить розетку возле прибора. Обратитесь к квалифицированному электрику или работнику сервис центра за помощью.

Номинальная мощность определяется при использовании насадки, требующей максимальную мощность. При использовании других рекомендуемых насадок миксер можно эксплуатировать при меньшей мощности энергии.

Данное изделие снабжено Y-образным шнуром питания. Если шнур питания поврежден, то он должен быть заменен производителем или сервисным агентом, во избежание опасности.

Уровень звукового давления, измеренный по методике испытаний, соответствующей стандартам prEN 454, не превышает 70 дБА.


«*» в номере модели определяет дополнительные символы, обозначающие цвет машины и технические цифры конкретной модели (например, 5KSM7990*).

Утилизация электрических отходов

Это оборудование маркировано согласно Европейской директиве 2002/96/EC по использованию электрического и электронного оборудования (MEEE).

Соблюдение правил утилизации изделия помогает предотвратить потенциальные негативные последствия для окружающей среды и здоровья человека, которые могли бы быть вызваны неправильной утилизацией этого продукта.



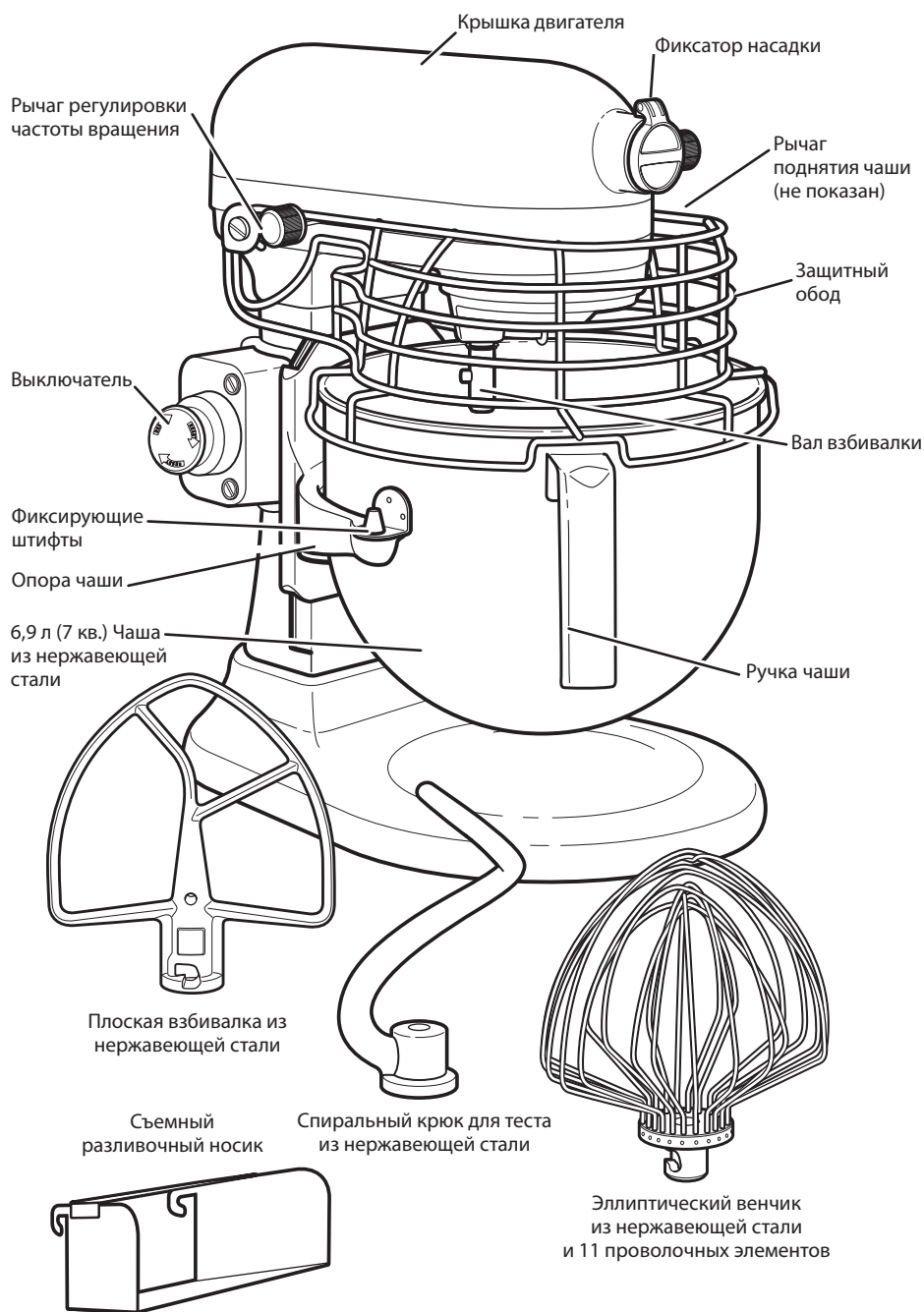
Этот знак  на устройстве или на документах, сопровождающих товар, указывает, что данное устройство не может быть утилизировано вместе с прочими бытовыми отходами. Вместо этого оно

должно быть передано в соответствующий пункт сбора и переработки электрического и электронного оборудования.

Утилизация должна осуществляться в соответствии с местными правилами по утилизации отходов.

Для получения более подробной информации об уходе, утилизации и переработке данного прибора, пожалуйста, обращайтесь в местные органы власти, службу сбора бытовых отходов или магазин, где вы купили продукт.

ЧАСТИ И ХАРАКТЕРИСТИКИ



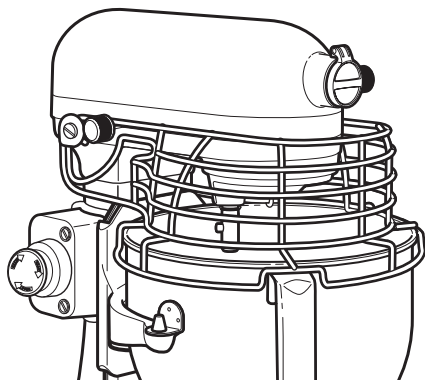
НАЛАДКА ВАШЕГО СТАЦИОНАРНОГО МИКСЕРА

Сборка вашего стационарного миксера

Для установки чаши

1. Поверните регулятор скорости в положение "0" (ВЫКЛ.).
2. Отсоедините миксер от источника электропитания или отключите ток.
3. Поднимите защитный обод.
4. Нажмите рычаг поднятия чаши вниз.
5. Установите опоры чаши на фиксирующие штифты.
6. Нажмите на заднюю часть чаши, пока штифт чаши не войдет в пружинную защелку.

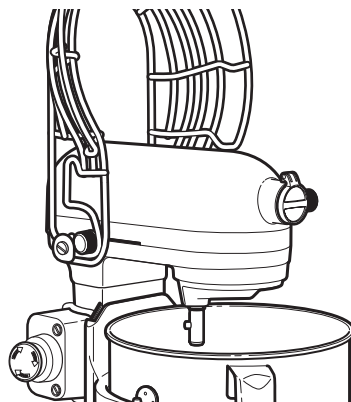
ПРИМЕЧАНИЕ: Если чаша не установлена как следует, она будет шататься во время работы прибора.



7. Опустите защитный обод.
8. Поднимите чашу перед началом смешивания.

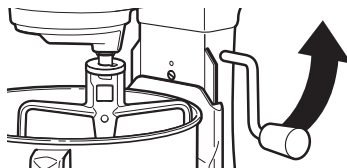
Для удаления чаши

1. Поверните регулятор скорости в положение "0" (ВЫКЛ.).
2. Отсоедините миксер от источника электропитания или отключите ток.
3. Поднимите защитный обод.



4. Нажмите рычаг поднятия чаши вниз.
5. Удалите плоскую взбивалку, проволочный венчик или крюк для теста.
6. Возьмитесь за ручку чаши и поднимите ее вверх, пока она не освободится от фиксирующих штифтов.

Для того, чтобы поднять чашу



1. Поверните рычаг против часовой стрелки вверх.
2. При смешивании чаша всегда должна находиться в поднятом положении.

НАЛАДКА ВАШЕГО СТАЦИОНАРНОГО МИКСЕРА

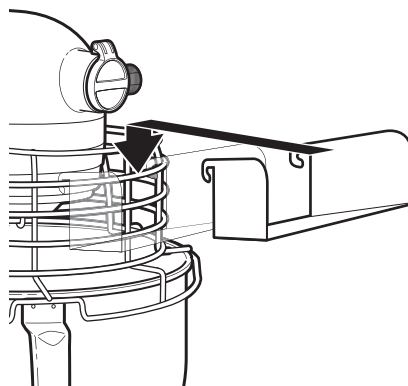
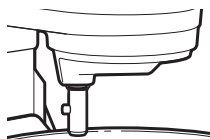
МОНТАЖ: Стационарный миксер следует устанавливать на ровной и стабильной поверхности, например на кухонной стойке или рабочем столе.

Для того, чтобы опустить чашу

1. Поверните рычаг назад и вниз.

Установка плоской взбивалки, проволочного венчика или крюка для замешивания теста

1. Поверните регулятор скорости в положение "0" (Выкл.).
2. Отсоедините миксер от источника электропитания или отключите ток.
3. Поднимите защитный обод.
4. Насадите плоскую взбивалку на вал и прижмите вверх до упора.
5. Поверните взбивалку вправо, насаживая её на штифт вала.



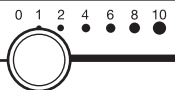
Съемный разливочный носик

Съемный разливочный носик легко прикрепляется к передней стороне защитного обода, как показано на иллюстрации выше. С его помощью очень удобно добавлять ингредиенты в чашу стационарного миксера.

Удаление плоской взбивалки, проволочного венчика или крюка для замешивания теста

1. Поверните регулятор скорости в положение "0" (Выкл.).
2. Отсоедините миксер от источника электропитания или отключите ток.
3. Поднимите защитный обод.
4. Прижмите взбивалку вверх до упора и поверните влево.
5. Снимите взбивалку с вала.

Рычаг регулировки частоты вращения



Функция плавного пуска сводит к минимуму выплёскивание ингредиентов, так как миксер при запуске начинает работать на нижней скорости, а затем быстро достигает выбранной скорости. Для того, чтобы предотвратить выплёскивание ингредиентов, всегда начинайте смешивать на скорости 1, после чего постепенно увеличивайте скорость. См. "Руководство для регулировки частоты вращения".

Автоматическая защита двигателя

Если стационарный миксер перестал работать из-за перегрузки, поверните регулятор скорости в положение "0" (Выкл.) и отсоедините миксер от источника электропитания. Через несколько минут стационарный миксер автоматически вернётся в рабочее состояние. Включите стационарный миксер, выберите желаемую скорость при помощи регулятора скорости и продолжите смешивание. Если стационарный миксер не включается, отсоедините его от источника электропитания на более длительное время, чтобы он мог остыть, после чего снова включите стационарный миксер. Если стационарный миксер не включается, см. "Если требуется ремонт".

Выключатель

Если вам необходимо выключить стационарный миксер во время использования, нажмите на выключатель. Для того, чтобы продолжить работу, поверните регулятор скорости в положение "0" (Выкл.) и потяните за выключатель. Таким образом, ваш стационарный миксер снова готов к использованию.

НАЛАДКА ВАШЕГО СТАЦИОНАРНОГО МИКСЕРА

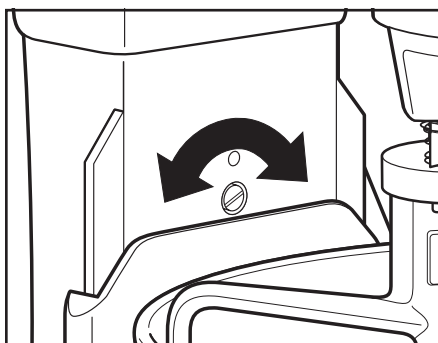
Расстояние между взбивалкой и стенками чаши

Ваш миксер отрегулирован на заводе-изготовителе так, что плоская взбивалка сразу устанавливается в чаше с соблюдением нужного расстояния. Если же по какой-то причине взбивалка упирается в дно чаши или слишком удаляется от него, это расстояние можно отрегулировать следующим образом:

1. Поверните регулятор скорости в положение "0" (ВЫКЛ.).
2. Отсоедините миксер от источника электропитания или отключите ток.
3. Поднимите защитный обод.
4. Опустите чашу вниз.
5. Поверните винт регулировки высоты взбивалки против часовой стрелки (влево), чтобы приподнять плоскую взбивалку или по часовой стрелке (вправо), чтобы опустить её.
6. Отрегулируйте взбивалку так, чтобы она находилась вблизи поверхности чаши. Если вы перекрутите винт, рычаг поднятия чаши может не зафиксироваться в правильном положении.

ПРИМЕЧАНИЕ: Плоская взбивалка не должна упираться о дно или в бок чаши после правильной регулировки. Если плоская взбивалка или венчик из нержавеющей стали отрегулированы на минимальном расстоянии, приводящим к контакту с дном чаши, это может привести к повреждению покрытия плоской взбивалки (для взбивалок с покрытием), а проволочные детали венчика могут износиться.

При определенных условиях может возникнуть необходимость в очистке боковых сторон чаши, независимо от того, как отрегулирована взбивалка. При очистке боковых сторон чаши следует выключить стационарный миксер. В противном случае это может привести к повреждению прибора.



ИСПОЛЬЗОВАНИЕ ВАШЕГО СТАЦИОНАРНОГО МИКСЕРА

Использование насадок миксера KitchenAid

Плоская взбивалка для нормальных и густых смесей таких как (Рекомендуемое время работы: 1-10 минут, в зависимости от конкретного рецепта):

кексовых смесей	печенья
взбитой глазури	хлеба из теста, приготовленного с помощью разрыхлителя
кондитерских изделий	мясного хлеба
домашнего печенья	картофельного пюре
теста для пирогов	

Проволочная взбивалка для приготовления "воздушных" смесей, таких как (Рекомендуемое время работы: 1-30 минут, в зависимости от конкретного рецепта):

яиц	глазури
яичных белков	бисквитных пирожных
жирных сливок	майонеза

Крюк для смешивания ингредиентов и замешивания дрожжевых видов теста, таких как (Рекомендуемое время работы: 1-10 минут, в зависимости от конкретного рецепта):

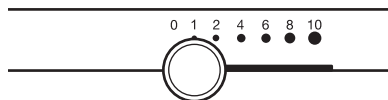
хлеба	кофейных пирожных
рулетов	сдобных булочек

Русский

ИСПОЛЬЗОВАНИЕ ВАШЕГО СТАЦИОНАРНОГО МИКСЕРА

Руководство для регулировки частоты вращения - стационарные миксеры с 10 скоростями

Все скорости имеют функцию плавного пуска, которая при запуске автоматически начинает работать на нижней скорости, затем быстро возрастает до выбранной скорости для обеспечения оптимальной производительности. Функция необходима для предотвращения выплескивания ингредиентов и "расслоения теста".



Скорость	Используется для	Аксессуары	Описание
1	Размешивание		Для медленного размешивания, комбинирования ингредиентов, приготовления пюре, начала смешивания. Используйте для добавления муки и сухих ингредиентов в жидкое тесто, а также для добавления жидкостей к сухим ингредиентам. Скорость 1 не следует использовать для смешивания или замешивания дрожжевого теста.
2	Медленное смешивание, замешивание		Для медленного смешивания, приготовления пюре, быстрого взбалтывания. Используйте для смешивания густых видов теста и карамельной массы, для приготовления пюре из картофеля и других овощей, добавления разрыхлителя в муку, смешивания размягченного или твердого сливочного масла, а также смешивания и приготовления дрожжевого теста.
4	Смешивание, взбивание		Для смешивания теста средней густоты, например, для домашнего печенья. Используйте для смешивания сахара и разрыхлителя и для добавления сахара в яичные белки при приготовлении меренг. Средняя скорость для кексовых смесей.
6	Взбивание, сливковзбивание		Для среднескоростного взбивания (взбивания сливок) взбивалкой или венчиком. Используйте для завершающего этапа смешивания кексовых смесей, смесей для пончиков и других видов жидкого теста. Высокая скорость для кексовых смесей.
8-10	Скоростное взбивание, взбивание венчиком, скоростное взбивание венчиком		Для взбивания сливок, яичных белков и глазури, используя взбивалку или венчик. Для взбивания венчиком небольшого количества сливок или яичных белков.

Русский

ПРИМЕЧАНИЕ: Установите на миксере скорость 2 для смешивания или замешивания дрожжевого теста. Использование любых других скоростей создаст высокую вероятность поломки миксера. Крюк для замешивания теста эффективно замешивает дрожжевое тесто за 4 минуты.

Схема емкости

	Чаша, 6,9 л
Мука	2 до 2,2 кг
Хлеб	8 буханок хлеба весом в 450 г
Булочки / Печенье	160 штук
Картофельного пюре	3,6 кг

УХОД И ОЧИСТКА

Чашу из нержавеющей стали, плоскую взбивалку, венчик из нержавеющей стали, спиральный крюк для замешивания теста и разливочный носик можно мыть в посудомоечной машине. Не используйте чистящие средства с уровнем pH ниже 5. Кроме того их можно тщательно промыть в горячей мыльной воде и полностью ополоснуть перед сушкой. Венчики не следует хранить на валу. Стационарный миксер не следует промывать водяной струёй или при помощи шланга.

ВНИМАНИЕ

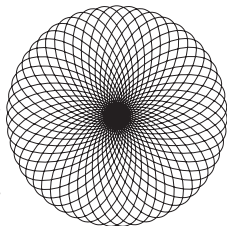
ОПАСНОСТЬ ПОРАЖЕНИЯ ЭЛЕКТРИЧЕСКИМ ТОКОМ

**ПЕРЕД ТЕМ КАК ЧИСТИТЬ МИКСЕР,
ВСЕГДА ОТКЛЮЧАЙТЕ ЕГО ОТ РОЗЕТКИ,
ВО ИЗБЕЖАНИЕ ПОРАЖЕНИЯ
ЭЛЕКТРИЧЕСКИМ ТОКОМ.**

**Протирайте миксер влажной тканью.
НЕ ПОГРУЖАЙТЕ МИКСЕР В ВОДУ.
Протирайте вал взбивалки как можно
чаще, удаляя остаток, который
может накапливаться.**

Способ смешивания по планетарному принципу

При работе плоская взбивалка перемещается по периметру стационарной чаши, одновременно вращаясь в противоположном направлении вокруг своей оси. Рисунок показывает полный охват объема чаши по мере перемещения взбивалки.



Мощность миксера 5KSM7990 составляет 500 Вт, кроме того, миксер снабжен электродвигателем постоянного тока. Это бесшумный и высокоэффективный двигатель, который имеет коробку передач прямого привода: таким образом он может достигать 1,3 лошадиных сил при максимальной мощности (выходная мощность двигателя), что дает быстрые и превосходные результаты даже при замешивании густого теста.

Время смешивания

Ваш миксер KitchenAid обеспечит более быстрое и тщательное перемешивание, чем большинство других электрических миксеров. Поэтому время смешивания в большинстве рецептов должно корректироваться, во избежание чрезмерной переработки ингредиентов.

Для того, чтобы определить идеальное время смешивания, при смешивании наблюдайте за консистенцией жидкого или густого теста и остановите процесс, когда полученная смесь будет иметь желаемый внешний вид в соответствии с тем, как описано в вашем рецепте. Например: "однородная смесь, похожая на сметану". Для выбора наиболее подходящих скоростей смешивания см. раздел "Руководство для регулировки частоты вращения".

Использование миксера

⚠ ВНИМАНИЕ

ОПАСНОСТЬ ПОЛУЧЕНИЯ ТРАВМЫ

Во избежание получения травмы и повреждения взбивалки, не пытайтесь чистить чашу миксера во время работы прибора; выключите миксер. Если скребок или какой-либо другой предмет попадет в чашу миксера, выключите двигатель, перед тем как вынуть его из чаши.

Чаша и взбивалка разработаны для обеспечения тщательного смешивания без частой очистки боковых сторон чаши. Одной или двух очисток при смешивании обычно бывает достаточно.

Стационарный миксер может нагреваться при работе. При высоких нагрузках и длительном смешивании прикосновение к верхней части миксера может быть неприятным. Это нормально.

Советы по смешиванию

Добавление ингредиентов

Всегда добавляйте ингредиенты как можно ближе к боковой поверхности чаши, не сыпьте их на вращающуюся взбивалку. Чтобы упростить этот процесс, пользуйтесь разливочным носиком для добавки ингредиентов. Используйте скорость 1 до полного размешивания ингредиентов. Затем скорость следует постепенно увеличить до желаемой.

Добавление орехов, изюма или цукатов

При добавлении этих ингредиентов соблюдайте индивидуальные рецепты. Твердые ингредиенты, как правило, следует добавлять в смесь на завершающем этапе приготовления смеси на скорости 1. Взбитое тесто должно быть достаточно густым, чтобы цукаты или орехи не оседали на дно формы при выпечке. Слипающиеся фрукты следует посыпать мукой для их более равномерного распределения в тесте.

Жидкие смеси

Смеси с большим содержанием жидких ингредиентов следует смешивать на более низкой скорости, чтобы тесто не выплывало из чаши. Увеличивать скорость следует только, когда смесь достаточно загустеет.

ПРИМЕЧАНИЕ: Если ингредиенты на самом дне чаши размешаны недостаточно, это означает, что вам следует держать взбивалку ближе ко дну. См. раздел "Наладка вашего стационарного миксера".

Если требуется ремонт

⚠ ВНИМАНИЕ



Опасность поражения электрическим током

Перед тем как проводить техобслуживание, отключите миксер от розетки.

Невыполнение этого требования может привести к смерти или поражению электрическим током.

Прочтите следующий раздел перед обращением с сервисный центр.

1. Миксер может нагреваться при работе. При высоких нагрузках и длительном смешивании прикосновение к верхней части прибора может быть неприятным. Это нормально.

2. Миксер может выделять резкий запах, особенно если он новый. Это обычное явление для электромоторов.
3. Если плоская взбивалка упирается в чашу, выключите миксер. См. раздел "Наладка вашего стационарного миксера".

Если ваш стационарный миксер вышел из строя или не работает, проверьте следующее:

- Подсоединен ли миксер к розетке?
- Не сгорел ли сетевой предохранитель? Если в квартире установлен автоматический выключатель, он должен быть включен.
- Отключен ли выключатель?
- Выключите стационарный миксер на 10-15 секунд, затем снова включите. Если миксер все же не включается, дайте ему остыть в течении 30 минут до того как включить снова.
- Если причина в другом, см. раздел "Центры обслуживания".

Профессиональный стационарный миксер со съемной чашей KitchenAid Гарантийные обязательства

Срок гарантии:	KitchenAid оплачивает:	KitchenAid не оплачивает:
<p>Европа, Австралия и новая Зеландия:</p> <p>Для профессионального миксера 5KSM7990: Полная гарантия сроком на один год, начиная со дня покупки.</p>	<p>Замену частей и стоимость ремонтных работ в связи с устранением дефектов материалов и изготовления. Техническое обслуживание должно осуществляться авторизованным центром обслуживания KitchenAid.</p>	<p>Повреждения, возникшие в результате несчастного случая, внесения изменений, неправильного или плохого обращения, а также вызванные установкой/эксплуатацией, не соответствующим местным электротехническим правилам.</p>

KITCHENAID НЕ НЕСЕТ НИКАКОЙ ОТВЕТСТВЕННОСТИ ЗА КОСВЕННЫЕ УБЫТКИ.

Русский

Центры обслуживания

Любое обслуживание должно осуществляться местным авторизованным центром обслуживания KitchenAid. Свяжитесь с продавцом, у которого вы приобрели прибор, и узнайте название ближайшего авторизованного центра обслуживания KitchenAid.

В России:

Сервисный Центр
125167 Москва
Красноармейская, дом 11
корпус 2
Телефон: (495) 956-36-63

Обслуживание клиентов

В России: 8-800-200-40-00 (бесплатно из любой точки России)

Телефон: (495) 956-40-00

Факс: (495) 956-37-76

Адрес: 125319, г. Москва, ул. Черняховского 5/1.

www.mixer.ru

Русский



Technology Center
303 Upton Drive, St. Joseph, MI 49085-1175

**EU – DECLARATION OF CONFORMITY
CE-DECLARATION DE CONFORMITE**

We: WHIRLPOOL CORPORATION, 303 UPTON DR., ST. JOSEPH, MI 49085, USA
Representing: WHIRLPOOL EUROPE S.r.l I-21025 COMERIO

Declare under sole responsibility that the product:

KitchenAid™ Stand Mixers: Model 5KSM79XX+

Where:

XX = up to 2 alphanumeric characters, which represents the features, distributor code and/or color

+ = May or may not be followed by five or more digit suffix codes to indicate change in aesthetics

to which this declaration relates, is in conformity with the following standard(s) or other normative document(s):

- IEC 60335-1: Ed.5: 2010**
- IEC 60335-2-64: Edition 3.1 2008-03**
- EN 55014-1:2006 + A1:2009**
- EN 55014-2:1997 + A1:2001 + A2:2008**
- EN 61000-3-2:2006 + A1:2009 + A2:2009**
- EN 61000-3-3:2008**
- EN 62233:2008**

The model listed conforms to the provisions of Directive (s):

- | | |
|---------------------|---|
| 2004/108/EC | ELECTROMAGNETIC COMPATABILITY DIRECTIVE |
| 2006/95/EC | LOW VOLTAGE DIRECTIVE |
| 2006/42/EC | MACHINERY DIRECTIVE |
| 10/2011/EU | PLASTIC MATERIALS INTENDED TO CONTACT FOOD |
| 1935/2004/EC | MATERIALS INTENDED TO CONTACT FOOD |

Русский

Place and Date:
Saint Joseph, MI, USA
30 January, 2012

Represented by:

Mark Dahmer
Engineering Director
KitchenAid Portable Appliances Division



FOR THE WAY IT'S MADE.

© 2012. Все права защищены.
Спецификация может быть изменена без предварительного уведомления.



KitchenAid

6.9 L PROFESSIONAL BOWL-LIFT STAND MIXER

Original Instructions

**KÜCHENMASCHINE MIT SCHÜSSELHEBER UND 6,9 L SCHÜSSEL
FÜR DEN GEWERBLICHEN EINSATZ**

Originalanleitungen

ROBOT SUR SOCLE PROFESSIONNEL À BOL RELEVABLE DE 6,9 L

Instructions d'origine

ROBOT DA CUCINA PROFESSIONALE CON SOLLEVAMENTO CIOTOLA DA 6,9 L

Istruzioni originali

6,9 L PROFESSIONELE MIXER/KEUKENROBOT MET IN DE HOOGTE VERSTELBARE KOM

Originele instructies

BATIDORA PROFESIONAL DE PIE CON BOL ELEVABLE DE 6,9 L

Instrucciones originales

BATEDEIRA PROFISSIONAL COM SUPORTE PARA TAÇA DE 6,9 L

Intruções originais

ΕΠΑΓΓΕΛΜΑΤΙΚΟ ΜΙΞΕΡ ΜΕ ΒΑΣΗ ΚΑΙ ΥΠΕΡΥΨΩΜΕΝΟ ΜΠΟΛ 6,9 L

Αρχικές οδηγίες

6,9 L PROFESSIONELL KÖKSMASKIN MED SKÅL PÅ HÄVARM

Originalinstruktioner

6,9 L BOLLELØFTENDE KJØKKENMASKIN

Originale instruksjoner

6,9 L AMMATIKÄYTTÖÖN TARKOITETTU YLEISKONE

Alkuperäiset ohjeet

6,9 L PROFESSIONEL KØKKENMASKINE MED SKÅLLØFT

Originale Instruktioner

6,9 L BORDHRÆRIVÉL MED LYFTANLEGRI SKÁL FYRIR FAGFÓLK

Upphaflegar leiðbeiningar

ПРОФЕССИОНАЛЬНЫЙ МИКСЕР СО СЪЕМНОЙ ЧАШЕЙ 6,9 л

Оригинальные инструкции

PROFESJONALNY MIKSER STOJĄCY Z PODNOSZONĄ DZIEŻĄ 6,9 L

Originalna instrukcja

PROFESIONÁLNÍ KUCHYŇSKÝ ROBOT SE ZVEDACÍ MÍSOU O OBJEMU 6.9 L

Originální pokyny

PROFESIONÁLNY KUCHYŇSKÝ ROBOT SO ZDVÍHACOU MISOU O OBJEME 6,9 L

Originálne pokyny

MIXER PROFESIONAL CU SOCLU ŞI BOL DE 6,9 L

Instrucţiuni originale

ПРОФЕСИОНАЛЕН КУХНЕНСКИ РОБОТ С ПОВДИГАЩА СЕ КУПА С ВМЕСТИМОСТ 6,9 L

Оригинални инструкции

Model 5KSM7990*



Spis treści

PODSTAWOWE ZASADY BEZPIECZEŃSTWA	
Ważne zalecenia dotyczące bezpieczeństwa	213
Wymagania elektryczne	214
Utylizacja urządzeń elektrycznych	214
CZĘŚCI I FUNKCJE	215
PRZYGOTOWYWANIE MIKSERA DO PRACY	
Montaż części Miksera	216
Regulacja odległości narzędzia od ścianek i dna dzieży	218
UŻYTKOWANIE MIKSERA	
Zastosowanie narzędzi KitchenAid	218
Opis czynności na poszczególnych biegach – 10-cio stopniowa regulacja	219
CZYSZCZENIE I KONSERWACJA	220
WSKAZÓWKI DOTYCZĄCE UŻYTKOWANIA	
Ruch planetarny narzędzi	221
Czas miksowania	221
Używanie Miksera	221
Wskazówki dotyczące miksowania	221
SERWIS I GWARANCJA	
Kiedy potrzebny jest serwis	222
Gwarancja na profesjonalny mikser stojący KitchenAid z podnoszoną dzieżą	222
Serwis	223
Obsługa Klienta	223

PODSTAWOWE ZASADY BEZPIECZEŃSTWA

Bezpieczeństwo użytkownika tego urządzenia jest dla nas najważniejsze.

Dlatego w poniższej instrukcji przedstawiamy wiele istotnych informacji na ten temat. Należy czytać wszystkie zalecenia dotyczące bezpieczeństwa pracy i je przestrzegać.



Jest to znak symbolizujący zagrożenie.

Ostrzega przed potencjalnym zagrożeniem życia lub zdrowia.

Wszystkie informacje dotyczące bezpieczeństwa zawierają oprócz symbolu zagrożenia, także słowa: "NIEBEZPIECZEŃSTWO" i "UWAGA".

Te słowa oznaczają, że:



istnieje zagrożenie dla życia lub możliwość okaleczenia, w przypadku niezastosowania się natychmiast do zaleceń instrukcji.



istnieje zagrożenie dla życia lub możliwość okaleczenia w przypadku nieprzestrzegania zaleceń instrukcji.

Wszystkie informacje dotyczące bezpieczeństwa, określają rodzaj potencjalnego zagrożenia, wskazują jak ograniczyć możliwość zranienia i informują, co może się wydarzyć, jeśli zalecenia instrukcji nie będą przestrzegane.

Ważne zalecenia dotyczące bezpieczeństwa

Używając urządzeń elektrycznych, należy zawsze przestrzegać następujących środków ostrożności

1. Czytać uważnie wszystkie instrukcje.
2. Nie należy zanurzać miksera w wodzie ani innych płynach. Grozi to porażeniem elektrycznym.
3. W wypadku użycia jakiegokolwiek urządzenia przez lub w pobliżu dzieci, konieczny jest baczny nadzór.
4. Wyjąć z gniazda przewód zasilający urządzenie, gdy: są zakładane lub zdejmowane jego narzędzia i przystawki, przed jego czyszczeniem oraz gdy nie jest ono używane.
5. Unikać dotykania części będących w ruchu. Chronić ręce, włosy, luźne ubrania a także trzymać z dala szpatuły i inne narzędzia kuchenne od obracającego się mieszadła. Pozwoli to zmniejszyć ryzyko wypadku, kalectwa i zniszczenia urządzenia.
6. Miksera nie należy używać jeśli uszkodzony został przewód zasilający lub wtyczka, a także w wypadku gdy mikser nie pracuje poprawnie, uległ jakiegokolwiek uszkodzeniu lub upadł.
7. Użycie nieoryginalnych części zamiennych lub niezalecanych przez producenta, może spowodować awarię, pożar, porażenie lub zranienie.
8. Nie używać urządzenia pod gołym niebem, poza budynkiem.
9. Nie dopuszczać do tego, żeby przewód zasilający zwisał poza krawędź blatu.
10. Mieszadło płaskie, różga i hak winny być zdemonutowane przed myciem miksera.
11. To urządzenie nie jest przeznaczone do użytku przez osoby (w tym dzieci) o obniżonej sprawności sensorycznej lub umysłowej, a także pozbawione doświadczenia i wiedzy w zakresie obsługi. Osoby takie winny otrzymać bezpośredni stały nadzór i naukę obsługi urządzenia przez osoby odpowiedzialne za ich bezpieczeństwo

Polski

**PROSIMY ZACHOWAĆ TĘ INSTRUKCJĘ
PRODUKT JEST PRZEZNACZONY DO
ZASTOSOWAŃ PROFESJONALNYCH**

Wymagania elektryczne

⚠ UWAGA



Niebezpieczeństwo porażenia prądem

- Podłączyć do gniazda z uziemieniem.**
- Nie usuwać bolca uziemienia.**
- Nie używać rozgałęziacza.**
- Nie używać przedłużacza.**

Nieprzestrzeganie tych zaleceń grozi śmiercią, pożarem lub porażeniem.

Miksery pracują pod napięciem 220-240V, z prądem przemiennym o częstotliwości 50/60 Hz
Moc: 325 W, Zalecany czas pracy: 1-30 minut przy cyklu roboczym 10 minut WŁ. / 15 minut WYŁ.

UWAGA: Moc bierna miksera oznaczona jest na tabliczce znamionowej urządzenia, znajdującej się pod jego podstawą.

Nie należy stosować przedłużaczy. Jeśli przewód zasilający okaże się zbyt krótki, należy zlecić wykwalifikowanemu elektrykowi lub pracownikowi serwisu instalację gniazda w pobliżu urządzenia.

Pomiaru poboru prądu dokonano instalując do miksera akcesorium (narzędzie), które wymaga użycia największej mocy. Inne rekomendowane akcesoria mogą wymagać poboru znacznie mniejszej mocy.

Mikser jest podłączony do sieci przewodem z wtyczką typu Y. Jeżeli przewód zasilający jest uszkodzony, by uniknąć niebezpieczeństwa porażenia prądem, należy go niezwłocznie wymienić w autoryzowanym punkcie serwisowym.


Poziom ciśnienia akustycznego mierzony zgodnie z normą prEN 454 wynosi poniżej 70 dBA.

A * w numerze modelu oznacza dodatkowe znaki, które określają kolor maszyny i liczbowe oznaczenie inżynierskie danego modelu (np. 5KSM7990*).

Utylizacja urządzeń elektrycznych

Urządzenie to zostało oznakowane zgodnie z Europejską Dyrektywą 2002/96/EC w sprawie utylizacji odpadów sprzętu elektrycznego i elektronicznego (WESE).

Zapewniając właściwą utylizację tego urządzenia, przyczyniamy się do ochrony naturalnego środowiska a tym samym poprawy stanu zdrowia człowieka oraz jakości jego życia.

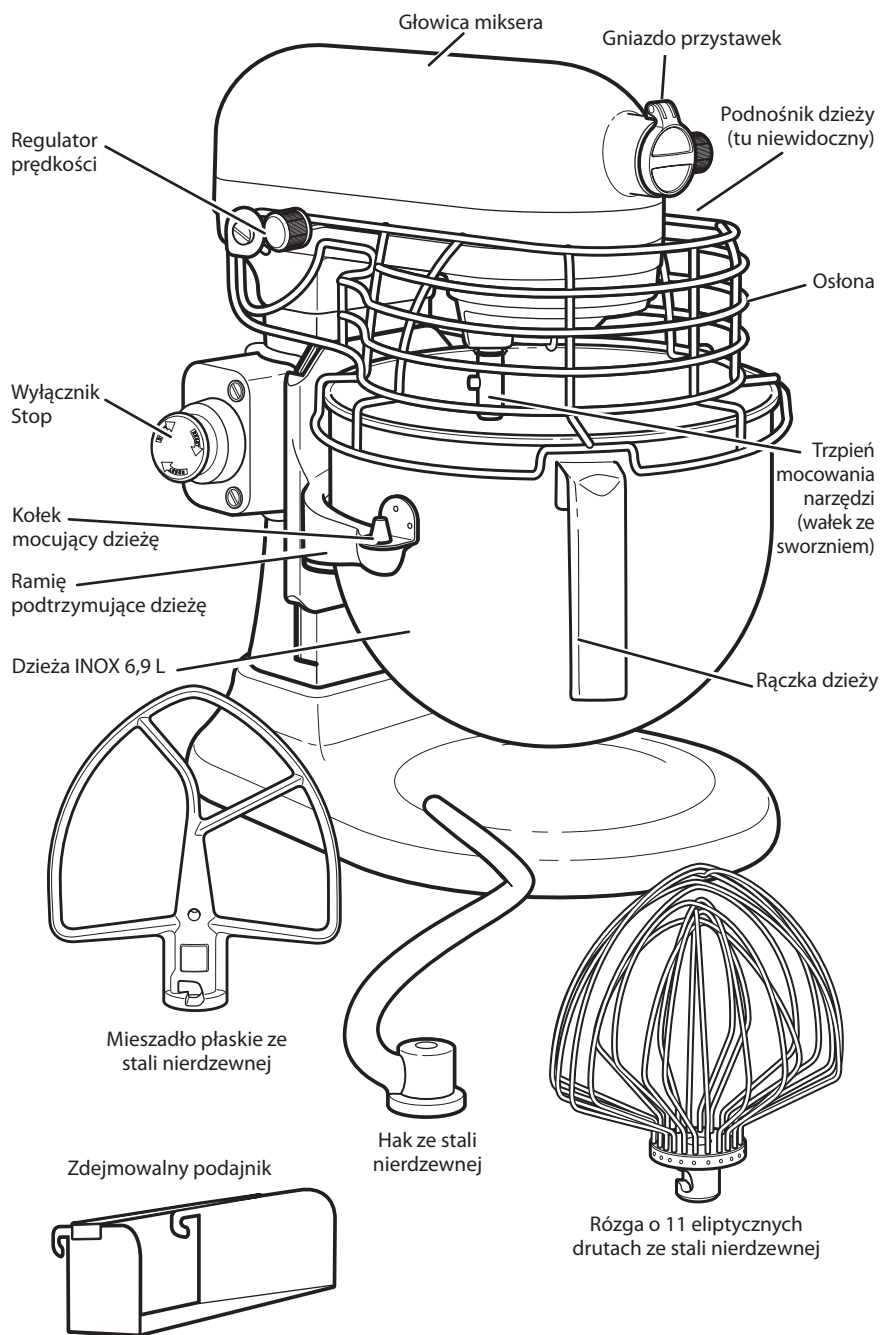
Ten symbol  umieszczony na produkcie lub dokumencie mu towarzyszącym oznacza, że urządzenie nie może być traktowane jako normalny odpad gospodarstwa domowego. Przeciwnie,

powinno być przekazane do odpowiedniego punktu zbiórki i przetwarzania surowców wtórnych, lub do sklepu, w którym zostało zakupione.

Odpady muszą być wywożone i utylizowane zgodnie z polskimi przepisami o zagospodarowaniu odpadów.

W celu uzyskania dokładniejszych informacji na ten temat oraz odzyskiwania surowców wtórnych i recyklingu tego urządzenia, należy kontaktować się z Państwową Inspekcją Ochrony Środowiska lub miejscowym przedsiębiorstwem wywozu nieczystości.

CZĘŚCI I FUNKCJE



Polski

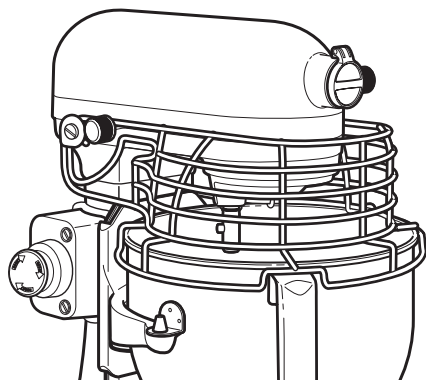
PRZYGOTOWYWANIE MIKSERA DO PRACY

Montaż części Miksera

By zamontować dzieżę

1. Upewnić się, że dźwignia nastawiania prędkości jest wyłączona (pozycja „0”).
2. Odłączyć mikser od sieci elektrycznej lub wyłączyć dopływ prądu.
3. Podnieść osłonę.
4. Przekręcić dźwignię podnoszenia dzieży w dolne położenie.
5. Osadzić uchwyty mocujące dzieżę na kołkach mocujących, umiejscowionych na ramionach podtrzymujących dzieżę
6. Nacisnąć tylny brzeg dzieży zdecydowanym ruchem w dół tak, aby zatrzasnęła się w zapadce sprężynującej.

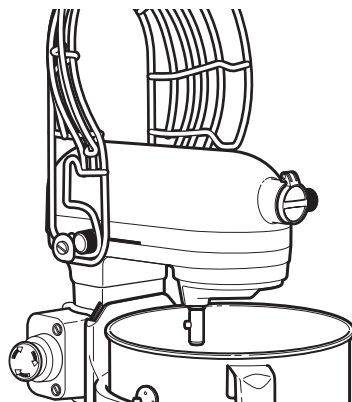
UWAGA: Niepoprawny montaż dzieży, może skutkować jej niestabilnością i podskakiwaniem w czasie pracy.



7. Opuścić osłonę.
8. Podnieść dzieżę przed rozpoczęciem miksowania.

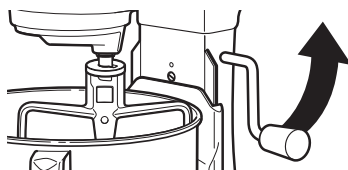
By zdjąć dzieżę

1. Upewnić się, że dźwignia nastawiania prędkości jest wyłączona (pozycja „0”).
2. Odłączyć mikser od sieci elektrycznej lub wyłączyć dopływ prądu.
3. Podnieść osłonę.



4. Przekręcić dźwignię podnoszenia dzieży w górne położenie.
5. Zdemontować meszadło płaskie, różgę lub hak.
6. Trzymając dzieżę za ucho, podnieść ją do góry zwalniając z zatrzasku zapadki sprężynującej i wyjmując z kołków mocujących na ramionach podtrzymujących dzieżę.

By podnieść dzieżę



1. Przekręcić dźwignię podnoszenia dzieży, w kierunku przeciwnym do ruchu wskazówek zegara, w górne położenie.
2. Podczas miksowania dzieża powinna znajdować się w górnym położeniu, odpowiednio zabezpieczona.

PRZYGOTOWYWANIE MIKSERA DO PRACY

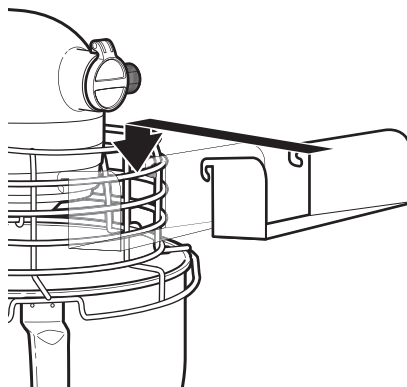
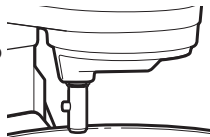
MONTAŻ: Mikser powinien być umiejscowiony na wypoziomowanej i stabilnej powierzchni jak blat lub stół roboczy.

By opuścić dzieżę

1. Przekręcić dźwignę do tyłu i do dołu.

By zamontować mieszadło płaskie, różgę lub hak

1. Upewnić się, że dźwignia nastawiania prędkości jest wyłączona (pozycja „0”).
2. Odłączyć mikser od sieci elektrycznej lub wyłączyć dopływ prądu.
3. Podnieść osłonę.
4. Nałożyć mieszadło na trzpieniu mocowania narzędzi i nacisnąć do końca.
5. Przekręcić mieszadło w prawo, tak by zaczepiło się na sworzniu.



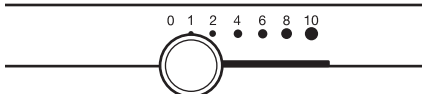
Zdemowalny podajnik

Zdemowalny podajnik jest łatwo montowany na przodzie osłony, tak jak pokazano to na powyższej ilustracji. Umożliwia on dodawanie składników do dzieży w łatwy sposób.

By zdemontować mieszadło, różgę lub hak

1. Upewnić się, że dźwignia nastawiania prędkości jest wyłączona (pozycja „0”).
2. Odłączyć mikser od sieci elektrycznej lub wyłączyć dopływ prądu.
3. Podnieść osłonę.
4. Nacisnąć mieszadło do góry, do oporu i przekręcić w lewo.
5. Zdjąć mieszadło z trzpienia mocowania narzędzi.

Dźwignia regulacji prędkości



Funkcja miękkiego startu minimalizuje rozchłapywanie produktów podczas rozpoczęcia pracy miksera, poprzez powolne zwiększanie prędkości do pożądanej. By jeszcze lepiej zabezpieczyć się przed rozchłapywaniem należy rozpoczynać każde miksowanie na prędkości 1, po czym powoli zwiększać prędkość do pożądanej. Patrz „Opis czynności na poszczególnych biegach”.

Automatyczny bezpiecznik przeciwprzeciążeniowy silnika

Jeżeli mikser zatrzyma się z powodu przeciążenia, należy przełączyć dźwignię prędkości do pozycji „0” OFF i wyłączyć przewód zasilający z kontaktu. Po kilku minutach bezpiecznik automatycznie załączy się z powrotem. Podłączyć mikser do sieci elektrycznej i kontynuować miksowanie. Jeśli mikser nie uruchomi się, ponownie odłączyć go od sieci na dłuższy czas i pozwolić mu ostygnąć. Jeśli mikser nadal nie działa - patrz „Kiedy potrzebny jest serwis”.

Wyłącznik Stop

Jeśli konieczne jest natychmiastowe wyłączenie miksera podczas użycia, należy wcisnąć wyłącznik Stop. By wznowić pracę, należy przełączyć dźwignię prędkości do pozycji „0” OFF i zwolnić wyłącznik Stop. Mikser jest ponownie gotowy do pracy.

PRZYGOTOWYWANIE MIKSERA DO PRACY

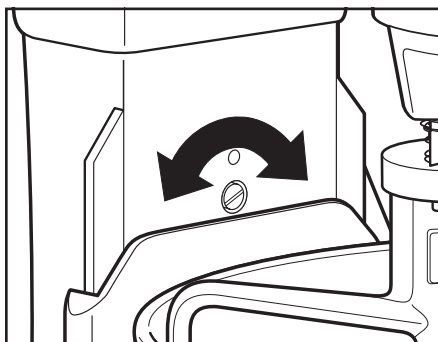
Regulacja odległości narzędzia od ścianek i dna dzieży

Mikser wychodzący z fabryki jest tak wyregulowany, żeby odległość mieszadła od dna dzieży była minimalna. Jeśli z jakichkolwiek przyczyn narzędzie uderza o ścianki dzieży lub przeciwnie, jest od nich lub od dna zbyt oddalone, wtedy jest potrzebna i możliwa jego prosta regulacja we własnym zakresie, bez pomocy serwisu.

1. Upewnić się, że dźwignia nastawiania prędkości jest wyłączona (pozycja „0”).
2. Odłączyć mikser od sieci elektrycznej lub wyłączyć dopływ prądu.
3. Podnieść osłonę.
4. Opuścić dzieżę.
5. Śrubokrętem przekręcić śrubkę – widoczną na rysunku, odpowiednio LEKKO w kierunku przeciwnym do ruchu wskazówek zegara (w lewo), aby podnieść mieszadło lub w kierunku zgodnym z ruchem wskazówek zegara (w prawo), aby je opuścić.
6. Regulacji dokonuje się po zamontowaniu płaskiego mieszadła. Powinno ono zachowywać minimalną odległość od dzieży. W przypadku rozregulowania śruby, dźwignia podnoszenia dzieży może nie zaskakiwać.

UWAGA: Prawidłowo wyregulowane mieszadło nie będzie uderzało o dno ani o ściany dzieży. Jeśli mieszadło lub różga są zbyt blisko i uderzają o dno dzieży, może skutkować to odpryskiwaniem farby z mieszadła lub zużyciem stalowych drutów różgi.

Pomimo dokonania powyższych regulacji, może okazać się konieczne dodatkowe użycie szpatuły do oczyszczenia ścianek dzieży z przywierających do niej produktów. Przedtem mikser należy zatrzymać, w przeciwnym wypadku może dojść do obrażeń ciała lub uszkodzenia urządzenia.



UŻYTKOWANIE MIKSERA

Zastosowanie narzędzi KitchenAid

Mieszadło płaskie – do mieszania lekkich i cięższych mas (rekomendowany czas pracy to 1 do 10 minut w zależności od przepisu), takich jak:

ciasta	ciasteczka
mielone masy mięsne i rybne	puree z ziemniaków i innych warzyw
sykłe składniki ciast	ciasto kruche
kremy maślane i budyniowe	masy serowe
spody do ciast	

Różga - do ubijania mas, które muszą być dobrze napowietrzone (rekomendowany czas pracy to 1 do 30 minut w zależności od przepisu), takich jak:

jaja	ciasto biszkoptowe
bita śmietana	bezy
białka jaj	majonez
kremy	

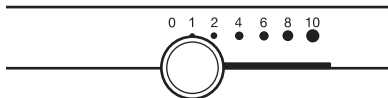
Hak - do wyrabiania ciast, zwłaszcza drożdżowych i ugniatania (rekomendowany czas pracy to 1 do 10 minut w zależności od przepisu), takich jak:

chleb, bułki	makaron
babki, placki	ciasto parzone

UŻYTKOWANIE MIKSERA

Opis czynności na poszczególnych biegach – 10-cio stopniowa regulacja

Mikser wyposażony jest w funkcję Soft Start dla wszystkich prędkości. Pozwala ona na każdym nastawie prędkości zróżnicować ją automatycznie, początkowo startując nieco wolniej, dla zapobiegnięcia rozchlapywania płynnych składników lub pylenia mąki na początku mieszania, a następnie zwiększając prędkość do pożądanego poziomu, zapewniającego osiągnięcie zamierzonych rezultatów pracy.



Prędkość	Używana do	Narzędzie	Opis
1	Mieszanie wstępne		Służy do powolnego, wstępnego mieszania, łączenia i zacierania wszystkich mas i suchych składników ciast. Na tym biegu dodaje się mąkę i inne suche produkty do ciasta i składniki płynne do suchych. Nie mieszać ani nie wyrabiać na tej prędkości ciast drożdżowych.
2	Mieszanie wolne		Do powolnego miksowania, ucierania, szybszego mieszania. Na tym biegu wyrabia się ciasta drożdżowe, ciasta kruche i ucierane. Stosuje się również w pierwszej fazie doprowadzania ziemniaków i innych warzyw do postaci puree oraz w chwilach dodawania płynnego tłuszczu lub mąki do ciasta.
4	Mieszanie, ubijanie		Używa się do wyrabiania średnio ciężkich ciast – jak ciasta kruche. Na tej prędkości rozciera się cukier z tłuszczem i dodaje cukier do białek na bezy. Jest to średnia prędkość mieszania mas.
6	Ubijanie		Do średnio szybkiego ubijania. Stosuje się do wykończenia lżejszych mas wymagających napowietrzenia.
8-10	Szybkie i bardzo szybkie ubijanie		Do ubijania piany z białek, całych jaj, bitej śmietany. Stosuje się w końcowej fazie przygotowania puree ziemniaczanego.

UWAGA: Do mieszania i wyrabiania ciasta drożdżowego używać prędkości 2. Użycie innych prędkości stanowi istotne zagrożenie uszkodzenia urządzenia. Spiralny Hak doskonale miesza ciasta drożdżowe i wyrabia je w czasie nie dłuższym niż 4 minuty.

Tabela pojemności

	Dzieża 6,9 L
Mąka	2 do 2,2 kg
Chleb	8 bochenków po 450g
Ciasteczka	160 sztuk
Ziemniaki puree	3,6 kg

Polski

CZYSZCZENIE I KONSERWACJA

Dzieża ze stali nierdzewnej, mieszadło płaskie, różga ze stali nierdzewnej, hak spiralny i podajnik mogą być myte w zmywarce automatycznej. Nie stosować środków czyszczących o pH niższym niż 5. Można też umyć je w ciepłej wodzie z mydlinami i dobrze optukać przed suszeniem. Nie należy przechowywać narzędzi zamontowanych na trzpieniu mocowania narzędzi miksera. Miksera nie należy myć za pomocą myjek ciśnieniowych lub wężem z wodą.

NIEBEZPIECZEŃSTWO

NIEBEZPIECZEŃSTWO PORAŻENIA PRĄDEM

PRZED CZYSZCZENIEM NALEŻY ZAWSZE UPEWNIĆ SIĘ, ŻE MIKSER JEST ODŁĄCZONY OD SIECI ELEKTRYCZNEJ, BY UNIKNĄĆ EWENTUALNEGO PORAŻENIA PRĄDEM.

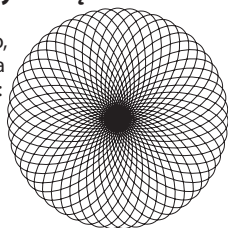
Mikser należy czyścić miękką ściereczką. NIE WOLNO ZANURZAĆ GO W WODZIE. Trzpień montażu narzędzi należy czyścić regularnie z jakichkolwiek, mogących się akumulować, pozostałości.

WSKAZÓWKI DOTYCZĄCE UŻYTKOWANIA

Ruch planetarny narzędzi

Podczas pracy miksera planetarnego, jego narzędzie obraca się ruchem złożonym: wokół własnej osi i równocześnie po obwodzie dzieży.

Na schemacie można porównać ślad drogi, jaką wykonuje punkt znajdujący się na narzędziu miksera podczas jednego pełnego obrotu.



Urządzenie 5KSM7990 wyposażone w silnik prądu stałego pobiera max. 500W. Silnik jest cichy i bardzo wydajny. Połączony został w system bezpośredniego napędu, co pozwala na uzyskanie 1,3 konia mechanicznego mocy wyjściowej silnika. Zapewnia to szybkie i wyjątkowe efekty miksowania nawet w przypadku ciężkich ciast.

Czas miksowania

Mikser KitchenAid miksuje szybciej i skuteczniej niż większość innych mikserów elektrycznych. Z tego też powodu należy skorygować czas miksowania podany w różnych przepisach, aby uniknąć przemęczenia produktów.

Poleca się stałą obserwację miksowanej masy lub ciasta i zakończenie pracy w momencie osiągnięcia jego struktury określonej w przepisie, np. „piana miękka i puszysta”. Dobór odpowiedniej prędkości opisany jest w rozdziale „Opis czynności na poszczególnych biegach”.

Używanie Miksera

! NIEBEZPIECZEŃSTWO

RYZYKO OBRAŻEN

By uchronić się od ryzyka obrażeń oraz awarii urządzenia, nie należy podczas jego pracy wkładać szpatuły do dzieży miksera, z zamiarem oczyszczenia jej ścianek z przywierających produktów. Należy przedtem wyłączyć mikser. Jeśli zdarzy się, że jakiś przedmiot wpadnie do misy pracującego miksera, należy urządzenie wyłączyć przed jego usunięciem.

Kształt dzieży i narzędzia został tak dopasowany, że podczas pracy miksera nie ma potrzeby ciągłego zdejmowania ze ścianek dzieży przywierających do niej produktów. W ciągu jednego cyklu miksowania, zupełnie wystarczy zrobić to raz lub dwa. Przed wykonaniem tej czynności należy odłączyć mikser od prądu!

Podczas pracy mikser może się nagrzewać. Przy dużym obciążeniu i długim cyklu mieszania, górna część głowicy miksera może być gorąca. To normalne.

Wskazówki dotyczące miksowania

Dodawanie składników

Składniki należy dozować możliwie jak najbliżej ścianek dzieży, nie zaś bezpośrednio na poruszające się narzędzie. Aby sobie to ułatwić, dobrze jest założyć na dzieżę osłonę z podajnikiem. Mieszanie należy rozpoczynać na niskiej prędkości 1 „mieszania wstępnego” i kontynuować aż składniki będą dobrze wymieszane. Następnie stopniowo zwiększać prędkość do uzyskania tej właściwej dla danego procesu.

Dodawanie orzechów, rodzynek lub owoców kandyzowanych

Twarde dodatki powinny być dokładane w ostatniej chwili przygotowania ciasta, na prędkości 1. Konsystencja ciasta powinna być odpowiednio gęsta, by owoce lub orzechy nie opadły na dno formy podczas pieczenia. Owoce kandyzowane powinny być wcześniej przesypane mąką, co pozwoli na lepsze ich wymieszanie w masie.

Mieszanie składników płynnych

Z płynną mieszaniną należy pracować początkowo na niższych prędkościach, by uniknąć jej rozchlapywania. Prędkość trzeba zwiększać stopniowo, w miarę jak mieszanina będzie się zagęszczać.

UWAGA: Jeśli składniki na dnie dzieży nie są odpowiednio wymieszane, oznacza to że mieszało jest za bardzo oddalone od jej dna. W celu korekty jego położenia - patrz rozdział „Przygotowanie miksera do pracy”.

SERWIS I GWARANCJA

Kiedy potrzebny jest serwis

! UWAGA



Niebezpieczeństwo porażenia prądem
Wyłączyć z kontaktu przed naprawą.
Nie przestrzeganie tych zaleceń
może skutkować porażeniem.

Prosimy przeczytać poniższe uwagi przed skontaktowaniem się z serwisem:

1. Podczas pracy mikser może się nagrzewać. Przy dużym obciążeniu i długim cyklu mieszania górna część głowicy miksera może być bardzo ciepła. To normalne.
2. Z wnętrza miksera może dobywać się dziwny zapach, zwłaszcza gdy jest fabrycznie nowy. Jest to normalne dla silników elektrycznych.

3. Jeśli mieszadło stuka o ścianki dzieży, należy zatrzymać mikser. Patrz rozdział "Regulacja odległości narzędzia od ścianek i dna dzieży".

Jeśli mikser nie pracuje poprawnie lub wcale, należy sprawdzić, co następuje:

- Czy mikser podłączony jest do prądu?
- Czy bezpiecznik, w obwodzie elektrycznym, do którego podłączony jest mikser, działa? Jeśli jest to bezpiecznik automatyczny, należy upewnić się, że jest on włączony.
- Czy wyłącznik Stop jest wyciśnięty?
- Wyłączyć mikser na 10-15 sekund, po czym włączyć go ponownie. Jeśli mikser nadal nie chce pracować, pozwolić mu ostudzić się przez 30 minut przed ponownym włączeniem.
- Jeśli powyższe czynności nie rozwiążą problemu, patrz punkt "Serwis".

Gwarancja na profesjonalny mikser stojący KitchenAid z podnoszoną dzieżą

Okres gwarancji	Gwarancja KitchenAid obejmuje:	Gwarancja KitchenAid nie obejmuje:
Europa, Australia i Nowa Zelandia: Na mikser profesjonalny 5KSM7990: rok pełnej gwarancji od daty zakupu widocznej na paragonie i w karcie gwarancyjnej.	Części zamienne i koszty pracy konieczne do usunięcia defektów fabrycznych lub materiałowych. Serwis musi być wykonany przez Autoryzowane Centrum Serwisowe KitchenAid	Wad powstałych na skutek przypadku, nieprawidłowego użycia, użycia niezgodnego z przeznaczeniem, instalacji i podłączenia niezgodnego z miejscowymi normami elektrycznymi

**KITCHENAID NIE PONISI ŻADNEJ ODPOWIEDZIALNOŚCI
ZA SZKODY BEZPOŚREDNIE I WTORNE.**

SERWIS I GWARANCJA

Serwis

Wszelkie naprawy serwisowe powinny być dokonywane lokalnie przez autoryzowany punkt serwisowy KitchenAid. W celu uzyskania adresu najbliższego punktu serwisowego KitchenAid można skontaktować się ze sprzedawcą sprzętu.

W Polsce serwis świadczy:

Autoryzowany Serwis KitchenAid
VIVAMIX
ul. Mrówcza 243, paw. 2
04-687 Warszawa
tel. (22) 812 56 64
fax (22) 812 90 50
serwis@vivamix.pl

Obsługa Klienta

W Polsce:

VIVAMIX
ul. Mrówcza 243, paw. 2
04-687 Warszawa
tel. (22) 812 56 64
fax (22) 812 90 50
serwis@vivamix.pl

Adres Centrali:

KitchenAid Europa, Inc.
PO BOX 19
B-2018 ANTWERP 11
BELGIUM

www.KitchenAid.pl
www.KitchenAid.eu

Polski



Technology Center
303 Upton Drive, St. Joseph, MI 49085-1175

**EU – DECLARATION OF CONFORMITY
CE-DECLARATION DE CONFORMITE**

We: WHIRLPOOL CORPORATION, 303 UPTON DR., ST. JOSEPH, MI 49085, USA
Representing: WHIRLPOOL EUROPE S.r.l I-21025 COMERIO

Declare under sole responsibility that the product:

KitchenAid™ Stand Mixers: Model 5KSM79XX+

Where:

XX = up to 2 alphanumeric characters, which represents the features, distributor code and/or color

+ = May or may not be followed by five or more digit suffix codes to indicate change in aesthetics

to which this declaration relates, is in conformity with the following standard(s) or other normative document(s):

- IEC 60335-1: Ed.5: 2010**
- IEC 60335-2-64: Edition 3.1 2008-03**
- EN 55014-1:2006 + A1:2009**
- EN 55014-2:1997 + A1:2001 + A2:2008**
- EN 61000-3-2:2006 + A1:2009 + A2:2009**
- EN 61000-3-3:2008**
- EN 62233:2008**

The model listed conforms to the provisions of Directive (s):

- | | |
|---------------------|---|
| 2004/108/EC | ELECTROMAGNETIC COMPATABILITY DIRECTIVE |
| 2006/95/EC | LOW VOLTAGE DIRECTIVE |
| 2006/42/EC | MACHINERY DIRECTIVE |
| 10/2011/EU | PLASTIC MATERIALS INTENDED TO CONTACT FOOD |
| 1935/2004/EC | MATERIALS INTENDED TO CONTACT FOOD |

Polski

Place and Date:
Saint Joseph, MI, USA
30 January, 2012

Represented by:

Mark Dahmer
Engineering Director
KitchenAid Portable Appliances Division



FOR THE WAY IT'S MADE.

© 2012. Wszelkie prawa zastrzeżone.
Zastrzega się możliwość wprowadzenia zmian bez uprzedzenia.

W10308298C

07/12



KitchenAid

6.9 L PROFESSIONAL BOWL-LIFT STAND MIXER

Original Instructions

**KÜCHENMASCHINE MIT SCHÜSSELHEBER UND 6,9 L SCHÜSSEL
FÜR DEN GEWERBLICHEN EINSATZ**

Originalanleitungen

ROBOT SUR SOCLE PROFESSIONNEL À BOL RELEVABLE DE 6,9 L

Instructions d'origine

ROBOT DA CUCINA PROFESSIONALE CON SOLLEVAMENTO CIOTOLA DA 6,9 L

Istruzioni originali

6,9 L PROFESSIONELE MIXER/KEUKENROBOT MET IN DE HOOGTE VERSTELBARE KOM

Originele instructies

BATIDORA PROFESIONAL DE PIE CON BOL ELEVABLE DE 6,9 L

Instrucciones originales

BATEDEIRA PROFISSIONAL COM SUPORTE PARA TAÇA DE 6,9 L

Intruções originais

ΕΠΑΓΓΕΛΜΑΤΙΚΟ ΜΙΞΕΡ ΜΕ ΒΑΣΗ ΚΑΙ ΥΠΕΡΥΨΩΜΕΝΟ ΜΠΟΛ 6,9 L

Αρχικές οδηγίες

6,9 L PROFESSIONELL KÖKSMASKIN MED SKÅL PÅ HÄVARM

Originalinstruktioner

6,9 L BOLLELØFTENDE KJØKKENMASKIN

Originale instruksjoner

6,9 L AMMATIKÄYTTÖÖN TARKOITETTU YLEISKONE

Alkuperäiset ohjeet

6,9 L PROFESSIONEL KØKKENMASKINE MED SKÅLLØFT

Originale Instruktioner

6,9 L BORDHRÆRIVÉL MED LYFTANLEGRI SKÁL FYRIR FAGFÓLK

Upphaflegar leiðbeiningar

ПРОФЕССИОНАЛЬНЫЙ МИКСЕР СО СЪЕМНОЙ ЧАШЕЙ 6,9 л

Оригинальные инструкции

PROFESJONALNY MIKSER STOJĄCY Z PODNOSZONĄ DZIEŻĄ 6,9 L

Originalna instrukcja

PROFESIONÁLNÍ KUCHYŇSKÝ ROBOT SE ZVEDACÍ MÍSOU O OBJEMU 6.9 L

Originální pokyny

PROFESIONÁLNY KUCHYŇSKÝ ROBOT SO ZDVÍHACOU MISOU O OBJEME 6,9 L

Originálne pokyny

MIXER PROFESIONAL CU SOCLU ŞI BOL DE 6,9 L

Instrucţiuni originale

ПРОФЕСИОНАЛЕН КУХНЕНСКИ РОБОТ С ПОВДИГАЩА СЕ КУПА С ВМЕСТИМОСТ 6,9 L

Оригинални инструкции

Model 5KSM7990*



Obsah

BEZPEČNOST KUCHYŇSKÉHO ROBOTU	
Důležité bezpečnostní pokyny	228
Elektrotechnické požadavky	229
Likvidace elektrického odpadu.....	229
POPIS ČÁSTÍ A FUNKCÍ	230
NASTAVENÍ KUCHYŇSKÉHO ROBOTU	
Sestavení kuchyňského robotu	231
Nastavení rozestupu mezi šlehačem a mísou	233
POUŽITÍ KUCHYŇSKÉHO ROBOTU	
Používání příslušenství KitchenAid	233
Průvodce nastavením rychlosti - 10 rychlostí mixování	234
ÚDRŽBA A ČIŠTĚNÍ	235
TIPY PRO VYNIKAJÍCÍ VÝSLEDKY	
Planetární mixování	236
Doba mixování.....	236
Mixování.....	236
Tipy pro mixování	236
SERVIS A ZÁRUKA	
Když potřebujete opraváře	237
Záruka na komerční využití kuchyňského robotu se zvedací mísou KitchenAid	237
Servisní střediska	238
Zákaznické služby.....	238

BEZPEČNOST KUCHYŇSKÉHO ROBOTU

Vaše bezpečnost a bezpečnost dalších osob je velmi důležitá.

Tento návod i Váš přístroj obsahují mnoho důležitých bezpečnostních upozornění. Všechna upozornění si přečtete a vždy je dodržujete.



Tento symbol označuje upozornění na bezpečnostní riziko.

Tento symbol upozorňuje na možná nebezpečí úrazu nebo úmrtí.

Všechna bezpečnostní upozornění budou uvozena tímto symbolem a slovem „NEBEZPEČÍ“ nebo „VAROVÁNÍ“. Tato slova mají následující význam:

NEBEZPEČÍ

Při nedodržení pokynů hrozí bezprostřední nebezpečí vážného úrazu nebo úmrtí.

VAROVÁNÍ

Při nedodržení pokynů hrozí nebezpečí vážného úrazu nebo úmrtí.

Všechna bezpečnostní upozornění vás informují o možném nebezpečí a o způsobu, jak snížit riziko úrazu, a upozorňují na to, co by se může stát, pokud se nebudete řídit pokyny.

Důležité bezpečnostní pokyny

Používáte-li elektrické zařízení, vždy dbejte na dodržování základních bezpečnostních opatření

1. Přečtete se všechny pokyny.
2. Abyste zabránili riziku úrazu elektrickým proudem, neponořujte kuchaňský robot do vody ani do jiných tekutin.
3. Pokud používají elektrický spotřebič děti nebo se používá v jejich blízkosti, je vždy zapotřebí zajistit řádný dohled.
4. Odpojte přístroj od elektrického proudu před každou výměnou přídatného příslušenství, před čistěním přístroje nebo pokud přístroj nepoužíváte.
5. Nedotýkejte se pohybujících se částí. Dejte pozor, aby se do šlehače během provozu nedostaly ruce, vlasy, části oděvu, stěrky a další náčiní. Vyhněte se tak poškození robotu a také možnému zranění.
6. Nepoužívejte robot s poškozenou šňůrou nebo zástrčkou, nebo pokud spotřebič nepracuje správně, upustili jste jej nebo je jakkoli poškozen.
7. Vždy používejte pouze originální příslušenství značky KitchenAid; použití jiného přídatného zařízení může způsobit požár, elektrický šok nebo zranění.
8. Spotřebič nepoužívejte ve venkovním prostředí.
9. Šňůru od robotu nenechávejte viset přes roh stolu nebo pracovní desky.
10. Před umýváním plochý šlehač, nerezovou šlehačí metlu nebo spirálovitý hnětací hák z robotu vyndejte.
11. Tento přístroj nesmí používat osoby (včetně dětí) s omezenými tělesnými, smyslovými nebo mentálními schopnostmi anebo osoby bez příslušných znalostí a zkušeností, pokud nejsou pod dozorem anebo nebyli poučeni o užívání tohoto přístroje osobou, která odpovídá za jejich bezpečnost.

Český

TYTO POKYNY SI USCHOVEJTE
TENTO VÝROBEK JE NYVRŽEN PRO KOMERČNÍ VYUŽITÍ

Elektrotechnické požadavky

⚠ VAROVÁNÍ



Nebezpečí úrazu elektrickým proudem.

Zapojte do uzemněné zásuvky.

Neodstraňujte uzemňovací kolík.

Nepoužívejte adaptér.

Nepoužívejte prodlužovací kabel.

Při nedodržení těchto pokynů hrozí nebezpečí požáru, úrazu nebo úmrtí elektrickým proudem.

Elektrický proud: 220-240 Volts a.c.
Frekvence: 50/60 Hz
Napájení: 325 W, doporučená doba provozu: 1–30 minut s cyklem 10 min. ZAP. / 15 min. VYP.

POZNÁMKA: Výkon vašeho kuchyňského robotu je uveden na sériovém štítku, který se nachází na spodní straně robotu.

Nepoužívejte prodlužovací kabel. Pokud je napájecí šňůra příliš krátká, nechte si kvalifikovaným elektrikářem nebo servisním technikem namontovat novou zásuvku v blízkosti zařízení.

Wattový výkon závisí na typu použitého příslušenství, které spotřebovává většinu energie. Jiná doporučená příslušenství mohou spotřebovávat výrazně méně energie.

Tento výrobek je dodáván s napájecí šňůrou ve tvaru Y. Pokud dojde k poškození napájecí šňůry, musí ji vyměnit výrobce nebo jeho servisní technik. V opačném případě hrozí nebezpečí úrazu.


Naměřená hladina akustického tlaku je v souladu se zkušební normou prEN 454-test a dosahuje nižší úrovně než 70 dBA.

Znak * v čísle modelu označuje doplňkové znaky, které určují barvu stroje a výrobní číslice aktuálního modelu (např. 5KSM7990*).

Likvidace elektrického odpadu

Tento přístroj je označen v souladu s Evropskou směrnicí 2002/96/ES o odpadních elektrických a elektronických zařízeních (OEEZ).

Zajištění řádné ekologické likvidace produktu pomůže vyvarovat se možnému škodlivému dopadu na životní prostředí a lidské zdraví, který by jinak mohl vzniknout při nesprávné likvidaci tohoto výrobku.

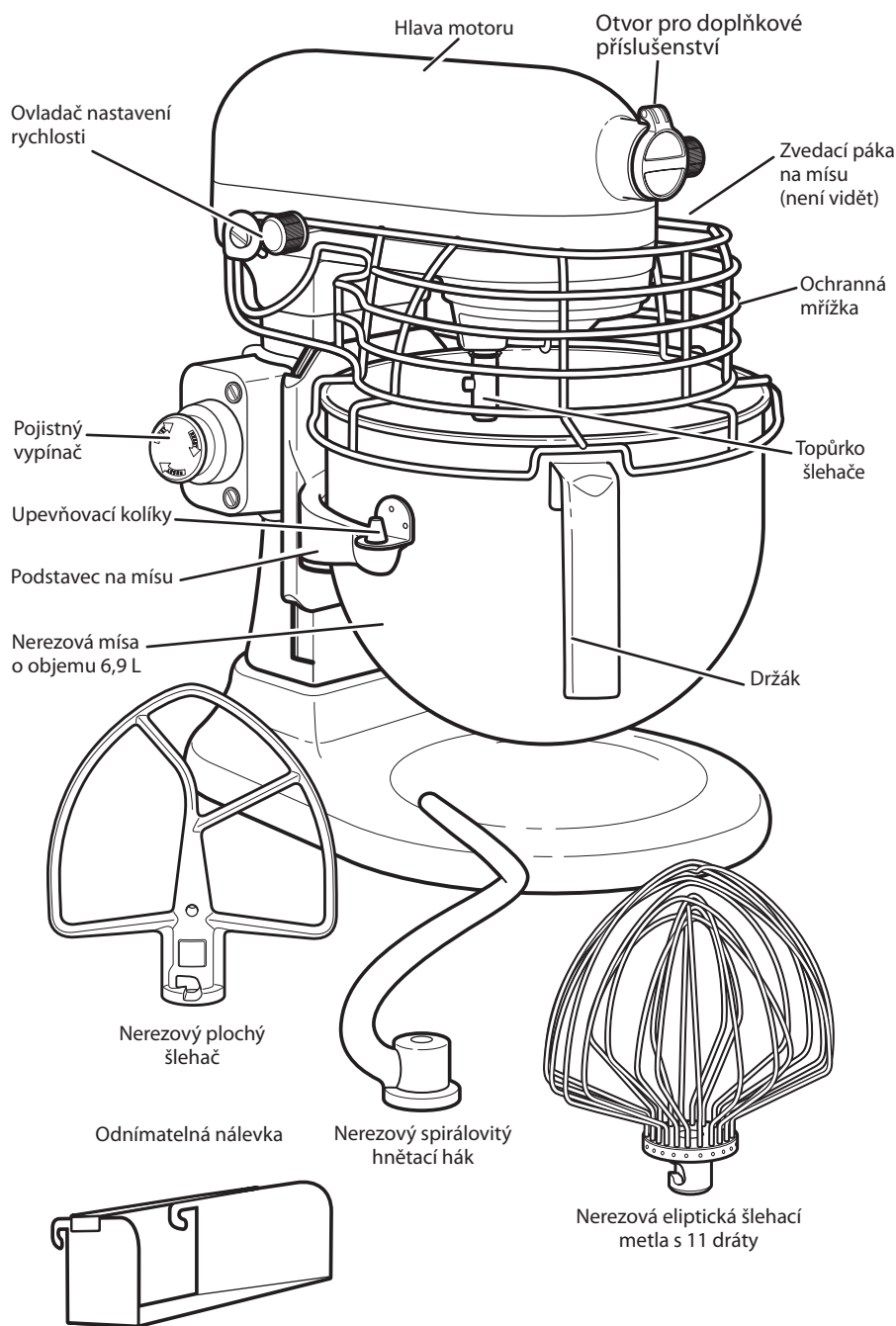
Symbol  na výrobku nebo na doprovodných dokumentech k výrobku znamená, že s tímto přístrojem nelze zacházet jako s domovním odpadem.

Namísto toho je nutné přístroj předat do nejbližšího sběrného střediska k recyklaci elektrické a elektronické vybavy.

Likvidace musí být provedena v souladu s místními předpisy pro likvidaci odpadů.

Pro bližší informace ohledně manipulace, regenerace a recyklace tohoto výrobku kontaktujte prosím místní úřady, službu likvidace domovních odpadů nebo prodejnu, kde jste produkt koupili.

POPIS ČÁSTÍ A FUNKCÍ



Český

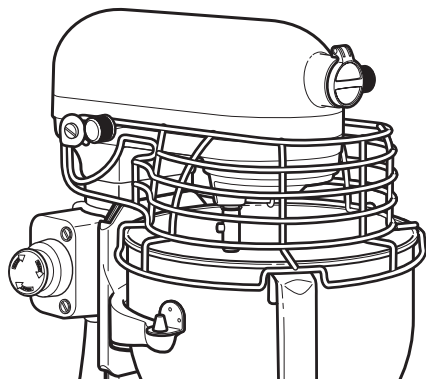
NASTAVENÍ KUCHYŇSKÉHO ROBOTU

Sestavení kuchyňského robotu

Vložení mísy

1. Ovladač rychlosti dejte do polohy „0“ (vypnuto).
2. Kuchyňský robot odpojte ze zásuvky nebo vypněte přívod elektrického proudu.
3. Zvedněte ochrannou mřížku.
4. Zvedací páku na mísu dejte do dolní polohy.
5. Nasadte úchyty na míse přes upevňovací kolíky.
6. Zatlačte na zadní stranu mísy, dokud zářezka nezapadne do pružinové pojistky.

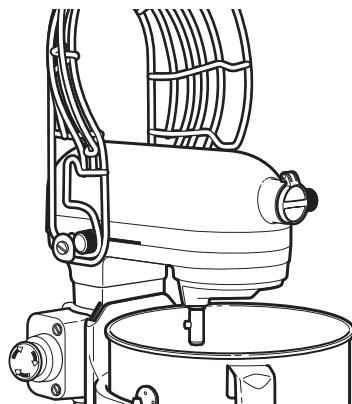
POZNÁMKA: Pokud nebude mísa bezpečně uchycena, bude nestabilní a bude se během provozu kývat.



7. Spustte ochrannou mřížku.
8. Před mixováním mísu zvedněte.

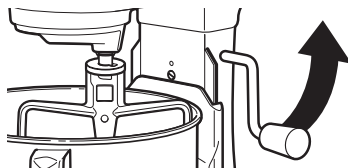
Vyjmutí mísy

1. Ovladač rychlosti dejte do polohy „0“ (vypnuto).
2. Kuchyňský robot odpojte ze zásuvky nebo vypněte přívod elektrického proudu.
3. Zvedněte ochrannou mřížku.



4. Zvedací páku na mísu dejte do dolní polohy.
5. Vyjměte plochý šlehač, šlehačí metlu nebo hnětací hák.
6. Chytněte mísu za držák a zvedněte ji pohybem nahoru a sundejte ji z upevňovacích kolíků.

Zvednutí mísy



1. Zvedací pákou otočte proti směru hodinových ručiček do horní polohy.
2. Mísa musí být při provozu vždy ve zvednuté pozici.

NASTAVENÍ KUCHYŇSKÉHO ROBOTU

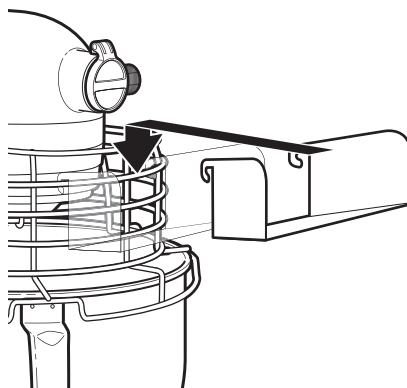
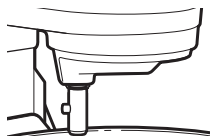
INSTALACE: Robot umístěte na rovném a stabilním podkladu, například na pracovní desce nebo na pracovním stole.

Snížení mísy

1. Zvedací pákou otočte zpět dolů.

Nasazení plochého šlehače, šlehačí metly nebo hnětacího háku

1. Ovladač rychlosti dejte do polohy „0“ (vypnuto).
2. Kuchyňský robot odpojte ze zásuvky nebo vypněte přívod elektrického proudu.
3. Zvedněte ochrannou mřížku.
4. Nasadte šlehač na topůrko šlehače a zatlačte nahoru, jak jen to je možné.
5. Otočte šlehačem doprava a zahákněte šlehač na zarážku na topůrku.



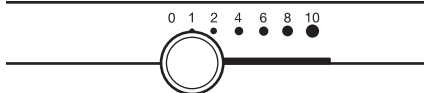
Odnímatelná nálevka

Odnímatelnou nálevku můžete jednoduše připojit k přední straně ochranné mřížky, tak jak je zobrazeno na obrázku výše. Umožňuje vám snadné přidávání přísad do mísy robotu.

Vyjmutí plochého šlehače, šlehačí metly nebo hnětacího háku

1. Ovladač rychlosti dejte do polohy „0“ (vypnuto).
2. Kuchyňský robot odpojte ze zásuvky nebo vypněte přívod elektrického proudu.
3. Zvedněte ochrannou mřížku.
4. Zatlačte šlehač co nejvíce nahoru a otočte jím doleva.
5. Vysuňte šlehač z topůrka šlehače.

Ovladač nastavení rychlosti



Funkce Soft Start minimalizuje riziko rozstříknutí přísad tím, že pomalu spouští robot před zvýšením otáček na zvolenou rychlost. Riziko rozstříknutí můžete dále snížit tak, že vždy začnete s mixováním na rychlosti 1 a pak budete postupně zvyšovat na vyšší rychlost podle potřeby. Viz "Průvodce nastavením rychlosti".

Ochrana motoru funkcí auto-reset

Pokud se kuchyňský robot zastaví z důvodu přetížení, posuňte ovladač nastavení rychlosti na "0" (vypnuto) a vypojte robot ze zásuvky. Po několika minutách se kuchyňský robot automaticky vyresetuje. Zapojte robot opět do zásuvky a posuňte ovladač nastavení rychlosti na požadovanou rychlost a pokračujte v mixování. Pokud se kuchyňský robot nezapne, vypojte jej ze zásuvky na další dobu a nechte jej zchladnout a pak jej teprve opět zapněte. Pokud se kuchyňský robot nezapne, podívejte se do sekce "Když potřebujete opraváře".

Pojistný vypínač

Pokud potřebujete kuchyňský robot rychle zastavit během provozu, stiskněte vypínací pojistku. Pokud chcete opět zahájit provoz, vraťte ovladač nastavení rychlosti na "0" (vypnuto) a vytáhněte pojistný vypínač. Pak je váš kuchyňský robot připraven opět k běžnému použití.

NASTAVENÍ KUCHYŇSKÉHO ROBOTU

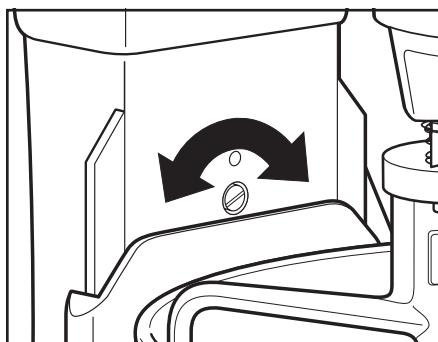
Nastavení rozestupu mezi šlehačem a mísou

Váš robot je nastaven již z továrny tak, že plochý šlehač stírá dno mísy, ale nenarazí na něj. Jestliže z jakéhokoliv důvodu šlehač o dno mísy narazí nebo je ode dna mísy příliš daleko, upravíte rozestup mezi šlehačem a mísou takto:

1. Ovladač rychlosti dejte do polohy „0“ (vypnuto).
2. Kuchyňský robot odpojte ze zásuvky nebo vypněte přívod elektrického proudu.
3. Zvedněte ochrannou mřížku.
4. Mísu snižte do dolní polohy.
5. Otočte šroubem JEMNĚ proti směru hodinových ručiček (doleva), abyste šlehač vyzdvihli nebo po směru hodinových ručiček, abyste ho naopak snížili.
6. Nastavení provádějte s plochým šlehačem tak, aby byl těsně nad dnem mísy. Pokud šroubem otočíte moc, může se stát, že zvedací páka mísy nezapadne na své místo.

POZNÁMKA: Pokud je robot správně nastaven, nebude plochý šlehač narážet na dno nebo do stran mísy. Jestliže je plochý šlehač nebo nerezová šlehací metla nastavena příliš blízko a narazí o dno mísy, povrch plochého šlehače (u potažených šlehačů) nebo dráty nerezové šlehací metly se tím mohou opotřebovat.

Za jistých podmínek bude nutné setřít stěny mísy stěrkou nehladě na nastavení šlehače. Kuchyňský robot je nutno zastavit a stěny mísy setřít, jinak může dojít k poškození robotu.



POUŽITÍ KUCHYŇSKÉHO ROBOTU

Používání příslušenství KitchenAid

Plochý šlehač pro normální až těžké směsi (Doporučená doba mixování je 1 až 10 minut, podle receptu):

dorty	keksy
máslové krémy	rychlý chléb
cukroví	mleté maso
sušenky	bramborová kaše
těsta na koláče	

Šlehací metla pro směsi, do kterých potřebujete zapracovat vzduch (Doporučená doba mixování je 1 až 30 minut, podle receptu):

vejce	vařené polevy
bílky	píškovité těsto
šlehačka	majonéza

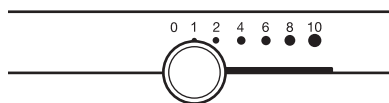
Hnětací hák pro míchání a hnětení kynutých těst (Doporučená doba mixování je 1 až 10 minut, podle receptu):

chleby	žemle
rohlíky	sladké pečivo

POUŽITÍ KUCHYŇSKÉHO ROBOTU

Průvodce nastavením rychlosti – 10 rychlostí mixování

Všechny rychlosti jsou vybaveny funkcí Soft Start, která spouští robot při nižší rychlosti, takže při startu nedojte k rozstříkání přísad a vyfouknutí mouky. Rychlost se pak rychle zvyšuje až na rychlost zvolenou pro optimální výkon.



Stanovení rychlosti

Číslo rychlosti	Používá se na	Příslušenství	Popis
1	MÍCHÁNÍ		Pro pomalé míchání, propojení, mačkání, pro začátek každého mixování. Použijte při přidávání mouky, suchých přísad do litého těsta a tekutin do suchých přísad. Nepoužívejte rychlost 1 pro míchání nebo hnětení kynutého těsta.
2	POMALÉ míchání, hnětení		Pro pomalé míchání, mačkání, rychlejší míchání. Použijte při mixování a hnětení kynutého těsta, tužšího litého těsta a sladkostí, na začátku rozmačkávání brambor nebo jiné zeleniny, na zapracování tuku do pečiva do mouky, míchání řídkých litých těst.
4	Míchání, šlehání		Pro mixování středně tuhého litého těsta, jako např. těsta na sušenky. Použijte k promíchání cukru a tuku do pečiva a když přidáváte cukr do bílků na sníh. Střední rychlost pro míchání dortového těsta
6	Míchání, šlehání		Pro středně rychlé šlehání krémů nebo šlehačky. Použijte, když dokončujete míchání dortového těsta, těsta na koblihy a jiných litých těst. Vysoká rychlost pro litá těsta.
8-10	RYCHLÉ šlehání		Pro šlehání krémů, bílků a vařených plev. Pro šlehání malého množství krémů, bílků nebo pro závěrečné vyšlehání bramborové kaše.

POZNÁMKA: Pro míchání nebo hnětení kynutého těsta používejte rychlost 2. Při použití vyšších rychlostí je vysoká pravděpodobnost poškození kuchyňského robotu. Výkonný spirálovitý hnětací hák uhněte většinu kynutých těst za přibližně 4 minuty.

Kapacitní tabulka

	Mísa o objemu 6,9 L
Mouka	2 až 2,2 kg
Chléb	8 chlebů o hmotnosti 450g
Sušenky/ cukroví	160 kusů
Bramborová kaše	3,6 kg

ÚDRŽBA A ČIŠTĚNÍ

Nerezovou mísu, plochý šlehač, nerezovou šlehací metlu, spirálovitý hnětací hák a nálevku lze mýt v automatické myčce nebo je lze čistit v horké vodě se saponátem a před osušením důkladně opláchnout. Nepoužívejte čističe s hodnotou pH nižší než 5. Šlehače neskladujte nasazené na topůrku šlehače. Robot neoplachujte proudem vody ani sprchou.

VAROVÁNÍ

RIZIKO ÚRAZU ELEKTRICKÝM PROUDEM

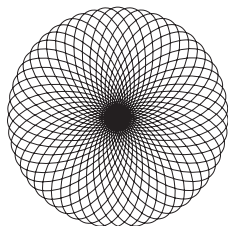
PŘED ČIŠTĚNÍM VŽDY ODPOJTE PŘÍSTROJ ZE ZÁSUVKY, ABY JSTE ZABRÁNILI ÚRAZU ELEKTRICKÝM PROUDEM.

Přístroj otřete navlhčeným hadříkem. NIKDY NEPONOŘUJTE DO VODY. Topůrko šlehače často otírejte, aby jste odstranili veškeré zbytky, které se na něm mohou zachytit.

TIPY PRO VYNIKAJÍCÍ VÝSLEDKY

Planetární mixování

Během činnosti se plochý šlehač pohybuje kolem mísy a zároveň se točí v protisměru podél své vlastní osy. Obrázek ukazuje úplné vykrytí mísy při činnosti ramen šlehače.



Model 5KSM7990 má jmenovitý výkon 500 Watt a používá motor se stejnosměrným proudem. Je to tichý a účinný motor, který ve spojení s přímým přenosem hnací síly umožňuje pohon 1,3 koňských sil při nejvyšším výkonu (výkon motoru) a umožňuje tak rychlé a vynikající výsledky i při míchání těžkých těst.

Doba mixování

Kuchyňský robot KitchenAid je rychlejší a výkonnější než většina elektrických robotů. Proto musíte dobu mixování uváděnou ve většině receptech upravit, abyste zabránili přemixování.

Aby jste byli schopni stanovit ideální dobu mixování, pozorujte těsto a míchejte pouze dokud nebude mít požadovanou konzistenci, která je popsána v receptu, jako například „hladká a krémová“. Pro zvolení nejlepší rychlosti mixování se podívejte do sekce Průvodce nastavením rychlosti.

Mixování

VAROVÁNÍ

RIZIKO ZRANĚNÍ OSOB

Aby jste zabránili vašemu zranění a poškození robotu, nepokoušejte se stírat mísu během provozu. Před stíráním přístroj vždy vypněte. Pokud by do mísy spadla stěrka nebo jiný předmět, přístroj nejprve VYPNĚTE a pak teprve předmět vyjměte.

Mísa a šlehač jsou navrženy tak, aby zajistili mixování bez nutnosti častého stírání stěn mísy. Obvykle stačí stěny mísy setřít 1-2x v průběhu mixování. Robot se může během provozu zahřát. V případě dlouhého míchání nebo míchání těžkého těsta může být povrch kuchyňského robotu horký, ale je to naprosto normální.

Tipy pro mixování

Přidávání přísad

Vždy přidávejte přísady co nejbližší ke straně mísy, ne přímo do pohybujícího se šlehače. Přidávání přísad si usnadníte použitím nalévacího štítu. Nejprve použijte rychlost 1, dokud se přísady nezapracují do směsi. Potom rychlost postupně zvyšujte až na požadovanou rychlost.

Přidávání ořechů, rozinek nebo kandovaného ovoce

Při přidávání těchto přísad postupujte podle jednotlivých receptů. Všeobecně platí, že pevné přísady by se měly přidávat až v posledních několika sekundách míchání při rychlosti 1. Lité těsto by mělo být dostatečně husté, aby udrželo ovoce nebo oříšky na povrchu a aby pak přísady v průběhu pečení neklesly dolů. Lepkavé kousky ovoce by měly být obaleny v mouce, aby se v těstě lépe rozmístily.

Míchání tekutých směsí

Směsi obsahující velké množství tekutých přísad by se měly míchat na nižší rychlosti, aby se zabránilo stříkání. Rychlost zvyšujte až poté, co směs zhoustne.

POZNÁMKA: Pokud nebudou přísady na samém dnu mísy dobře promíchány, pak není šlehač dost daleko v míse. Podívejte se do sekce Nastavení kuchyňského robotu.

SERVIS A ZÁRUKA

Když potřebujete opraváře

! VAROVÁNÍ



Nebezpečí úrazu elektrickým proudem.
Před opravou vypojte ze zásuvky.
Při nedodržení těchto pokynů hrozí nebezpečí úmrtí nebo úrazu elektrickým proudem.

Předtím než zavoláte servisní středisko, zkontrolujte:

1. Robot se může během použití zahřát. Je úplně normální, když se nebudete moci dotknout povrchu robotu, jestliže byl použit po dlouhou dobu pro míchání těžkého těsta.

2. Robot může vydávat zvláštní pach, zvláště když je nový. To je u elektrických motorů naprosto normální.
3. Jestliže šlehač naráží na stěny nebo dno mísy, okamžitě ho vypněte. Podívejte se do sekce Nastavení rozestupu mezi šlehačem a mísou.

Jestliže přístroj nepracuje tak, jak by měl, zkontrolujte:

- Zda je šňůra pevně v zásuvce?
- Zda je v pořádku pojistka obvodu, na který je robot napojen. Pokud máte skříňku s jističi, přesvědčete se, že je obvod uzavřený.
- Je vytažený pojistný vypínač?
- Robot vypněte na 10-15 sekund a poté jej zase zapněte. Pokud robot opět nefunguje, nechte jej před dalším zapnutím 30 minut vychladnout.
- Jestliže výše zmíněné možnosti nefungují a závada není odstraněna, nahlédněte do sekce Servisní středisko.

Záruka na komerční použití kuchyňského robotu se zvedací mísou KitchenAid

Délka záruky	KitchenAid uhradí	KitchenAid neuhradí
Evropa, Austrálie a Nový Zéland Na komerční kuchyňský robot 5KSM7990: Jeden rok plná záruka od data prodeje.	Náhradní díly a náklady na práci při opravě vad materiálu nebo dílenského zpracování. Servis musí provést autorizované servisní středisko KitchenAid	Poškození vzniklé nehodou, úpravami, nevhodným užitím, zneužitím nebo instalací či provozem, který je v rozporu s místními elektrotechnickými normami

Česky

KITCHENAID NEPŘEBÍRÁ ŽÁDNOU ODPOVĚDNOST ZA NEPŘÍMÉ ŠKODY.

SERVIS A ZÁRUKA

Servisní střediska

Veškerý servis bude vždy provádět místní autorizované servisní středisko KitchenAid. Název a adresu nejbližšího servisního střediska KitchenAid si vyžádejte od prodejce, u kterého jste přístroj zakoupili.

Luboš Vymazal – MAGNUM

Brněnská 37
682 01 Vyškov
tel.: +420 517 346 256
mob.: +420 724 767 114
fax: +420 517 330 415
www.kitchenaid.cz

POTTEN & PANNEN - STANĚK group

Obchodní 110
251 01 Čestlice
tel: +420 261 227 373
fax:+420 261 227 372
www.pottenpannen.cz

Zákaznické služby

Luboš Vymazal – MAGNUM

Brněnská 37
682 01 Vyškov
tel.: +420 517 346 256
mob.: +420 724 767 114
fax: +420 517 330 415
www.kitchenaid.cz

POTTEN & PANNEN - STANĚK group

Obchodní 110
251 01 Čestlice
tel: +420 261 227 373
fax:+420 261 227 372
www.pottenpannen.cz

www.pottenpannen.cz
www.kitchenaid.cz



Technology Center
303 Upton Drive, St. Joseph, MI 49085-1175

**EU – DECLARATION OF CONFORMITY
CE-DECLARATION DE CONFORMITE**

We: WHIRLPOOL CORPORATION, 303 UPTON DR., ST. JOSEPH, MI 49085, USA
Representing: WHIRLPOOL EUROPE S.r.l I-21025 COMERIO

Declare under sole responsibility that the product:

KitchenAid™ Stand Mixers: Model 5KSM79XX+

Where:

XX = up to 2 alphanumeric characters, which represents the features, distributor code and/or color

+ = May or may not be followed by five or more digit suffix codes to indicate change in aesthetics

to which this declaration relates, is in conformity with the following standard(s) or other normative document(s):

- IEC 60335-1: Ed.5: 2010**
- IEC 60335-2-64: Edition 3.1 2008-03**
- EN 55014-1:2006 + A1:2009**
- EN 55014-2:1997 + A1:2001 + A2:2008**
- EN 61000-3-2:2006 + A1:2009 + A2:2009**
- EN 61000-3-3:2008**
- EN 62233:2008**

The model listed conforms to the provisions of Directive (s):

- | | |
|---------------------|---|
| 2004/108/EC | ELECTROMAGNETIC COMPATABILITY DIRECTIVE |
| 2006/95/EC | LOW VOLTAGE DIRECTIVE |
| 2006/42/EC | MACHINERY DIRECTIVE |
| 10/2011/EU | PLASTIC MATERIALS INTENDED TO CONTACT FOOD |
| 1935/2004/EC | MATERIALS INTENDED TO CONTACT FOOD |

Place and Date:
Saint Joseph, MI, USA
30 January, 2012

Represented by:

Mark Dahmer
Engineering Director
KitchenAid Portable Appliances Division

Česky



FOR THE WAY IT'S MADE.

©2012. Všechna práva vyhrazena
Technické specifikace se mohou změnit bez předchozího upozornění.

W10308298C

07/12





KitchenAid

6.9 L PROFESSIONAL BOWL-LIFT STAND MIXER

Original Instructions

KÜCHENMASCHINE MIT SCHÜSSELHEBER UND 6,9 L SCHÜSSEL FÜR DEN GEWERBLICHEN EINSATZ

Originalanleitungen

ROBOT SUR SOCLE PROFESSIONNEL À BOL RELEVABLE DE 6,9 L

Instructions d'origine

ROBOT DA CUCINA PROFESSIONALE CON SOLLEVAMENTO CIOTOLA DA 6,9 L

Istruzioni originali

6,9 L PROFESSIONELE MIXER/KEUKENROBOT MET IN DE HOOGTE VERSTELBARE KOM

Originele instructies

BATIDORA PROFESIONAL DE PIE CON BOL ELEVABLE DE 6,9 L

Instrucciones originales

BATEDEIRA PROFISSIONAL COM SUPORTE PARA TAÇA DE 6,9 L

Intruções originais

ΕΠΑΓΓΕΛΜΑΤΙΚΟ ΜΙΞΕΡ ΜΕ ΒΑΣΗ ΚΑΙ ΥΠΕΡΥΨΩΜΕΝΟ ΜΠΟΛ 6,9 L

Αρχικές οδηγίες

6,9 L PROFESSIONELL KÖKSMASKIN MED SKÁL PÅ HÄVARM

Originalinstruktioner

6,9 L BOLLELØFTENDE KJØKKENMASKIN

Originale instruksjoner

6,9 L AMMATTIKÄYTTÖÖN TARKOITETTU YLEISKONE

Alkuperäiset ohjeet

6,9 L PROFESSIONEL KØKKENMASKINE MED SKÅLLØFT

Originale Instruktioner

6,9 L BORDHRÆRIVÉL MEÐ LYFTANLEGRI SKÁL FYRIR FAGFÓLK

Upphaflegar leiðbeiningar

ПРОФЕССИОНАЛЬНЫЙ МИКСЕР СО СЪЕМНОЙ ЧАШЕЙ 6,9 Л

Оригинальные инструкции

PROFESJONALNY MIKSER STOJĄCY Z PODNOSZONĄ DZIEŻĄ 6,9 L

Originalna instrukcja

PROFESIONÁLNÍ KUCHYŇSKÝ ROBOT SE ZVEDACÍ MÍSOU O OBJEMU 6.9 L

Originální pokyny

PROFESIONÁLNÝ KUCHYŇSKÝ ROBOT SO ZDVÍHACOU MISOU O OBJEME 6,9 L

Originálne pokyny

MIXER PROFESIONAL CU SOCLU ŞI BOL DE 6,9 L

Instrucţiuni originale

ПРОФЕСИОНАЛЕН КУХНЕНСКИ РОБОТ С ПОВДИГАЩА СЕ КУПА С ВМЕСТИМОСТ 6,9 L

Оригинални инструкции

Model 5KSM7990*



Obsah

BEZPEČNOSŤ KUCHYNSKÉHO ROBOTY	
Dôležité bezpečnostné pokyny.....	243
Elektrotechnické požiadavky.....	244
Likvidácia elektrického odpadu	244
POPIS ČASTÍ A FUNKCIÍ	245
NASTAVENIE KUCHYNSKÉHO ROBOTY	
Zostavenie kuchynského robota.....	246
Nastavenie rozostupu medzi šľahačom a misou.....	248
POUŽITÍ KUCHYNSKÉHO ROBOTU	
Používanie príslušenstva KitchenAid.....	248
Sprievodca nastavením rýchlostí - 10 rýchlostí mixovania.....	249
ÚDRŽBA A ČISTENIE.....	250
TIPY PRE VYNIKAJÚCE VÝSLEDKY	
Planetárne mixovanie	251
Doba mixovania	251
Mixovanie	251
Tipy pre mixovanie	251
SERVIS A ZÁRUKA	
Keď potrebujete opravára	252
Záruka na komerčné použitie kuchynského robota so zdvíhacou misou KitchenAid	252
Servisné strediská.....	253
Zákaznícké služby.....	253

BEZPEČNOSŤ KUCHYNSKÉHO ROBOTA

Vaša bezpečnosť a bezpečnosť ďalších osôb je veľmi dôležitá.

Tento návod i Váš prístroj obsahuje mnoho dôležitých bezpečnostných upozornení. Všetky upozornenia si prečítajte a vždy ich dodržujte.



Tento symbol označuje upozornenie na bezpečnostné riziko.

Tento symbol upozorňuje na možné nebezpečenstvo úrazu alebo úmrtia.

Všetky bezpečnostné upozornenia budú uvádzané týmto symbolom a slovom „NEBEZPEČENSTVO“ alebo „VAROVANIE“. Tieto slová majú nasledujúci význam:



NEBEZPEČENSTVO

Pri nedodržaní pokynov hrozí bezprostredné nebezpečenstvo vážneho úrazu alebo úmrtia.



VAROVANIE

Pri nedodržaní pokynov hrozí nebezpečenstvo vážneho úrazu alebo úmrtia.

Všetky bezpečnostné upozornenia vás informujú o možnom nebezpečenstve a o spôsobe, ako znížiť riziko úrazu a upozorňujú na to, čo by sa mohlo stať, pokiaľ sa nebudete riadiť pokynmi.

Dôležité bezpečnostné pokyny

Ak používate elektrické zariadenie, vždy dbajte na dodržovanie základných bezpečnostných opatrení

1. Prečítajte si všetky pokyny.
2. Nikdy neponárajte robot do vody alebo inej kvapaliny; vyhnite sa tak nebezpečenstvu úrazu elektrickým prúdom.
3. Prístroj nepatrí do rúk malých detí alebo nemožúcich osôb bez dozoru.
4. Odpojte prístroj od elektrického prúdu pred každou výmenou prídavného príslušenstva, pred čistením prístroja alebo pokiaľ prístroj nepoužívate.
5. Nedotýkajte sa pohybujúcich sa častí. Dajte pozor, aby sa do šľahača v priebehu prevádzky nedostali ruky, vlasy, časti odevu, stierky a ďalšie náčinie. Vyhnite sa tak poškodeniu robota a tiež možnému zraneniu.
6. Nepoužívajte robot s poškodenou šnúrou alebo zástrčkou, alebo pokiaľ spotrebič nepracuje správne, spadol vám alebo ak je akokoľvek poškodený.
7. Vždy používajte iba originálne príslušenstvo značky KitchenAid; použitie iného prídavného zariadenia môže spôsobiť požiar, elektrický šok alebo zranenie.
8. Spotrebič nepoužívajte vo vonkajšom prostredí.
9. Šnúru od robota nenechávajte visieť cez roh stola alebo pracovnej dosky.
10. Pred umývaním plochý šľahač, nerezovú šľahaciu metlu alebo špirálovitý miesiaci hák z robota vyberte.
11. Tento prístroj nesmú používať osoby (vrátane detí) s obmedzenými telesnými, zmyslovými alebo mentálnymi schopnosťami alebo osoby bez príslušných znalostí a skúseností, pokiaľ nie sú pod dozorom alebo neboli poučení o používaní tohto prístroja osobou, ktorá zodpovedá za ich bezpečnosť.

TIETO POKYNY SI USCHOVAJTE
TENTO VÝROBOK JE URČENÝ PRE KOMERČNÉ POUŽITIE

Slovenský

Elektrotechnické požiadavky

! VAROVANIE



Nebezpečenstvo úrazu elektrickým prúdom.

- Zapojte do uzemnenej zásuvky.**
- Neodstraňujte uzemňovací kolík.**
- Nepoužívajte adaptér.**
- Nepoužívajte predlžovací kábel.**
- Pri nedodržaní týchto pokynov hrozí nebezpečenstvo požiaru, úrazu alebo úmrtia elektrickým prúdom.**

Elektrický prúd: 220–240 Volts a.c.
Frekvencia: 50/60 Hz
Napájanie: 325 W, odporúčaná doba prevádzky: 1–30 minút s cyklom 10 min. ZAP. / 15 min. VYP.

POZNÁMKA: Výkon vášho kuchynského robota je uvedený na sériovom štítku, ktorý sa nachádza na spodnej strane robota.

Nepoužívajte predlžovací kábel. Pokiaľ je napájacia šnúra príliš krátka, nechajte si kvalifikovaným elektrikárom alebo servisným technikom namontovať novú zásuvku v blízkosti zariadenia.

Wattový výkon závisí na type použitého príslušenstva, ktoré spotrebováva väčšinu energie. Iné doporučené príslušenstvá môžu spotrebovávať výrazne menej energie.

Súčasťou tohto výrobku je kábel typu Y. Ak by prišlo k jeho poškodeniu, je nutné, aby bol u výrobcu alebo v autorizovanom servisnom stredisku vymenený, aby sa predišlo riziku.


Nameraná hladina akustického tlaku je v súlade so skúšobnou normou prEN 454-test a dosahuje nižšie úrovne ako 70 dBA.

Znak * v čísle modelu označuje doplnkové znaky, ktoré určujú farbu stroje a výrobné číslo aktuálneho modelu (napr. 5KSM7990 *).

Likvidácia elektrického odpadu

Tento prístroj je označený v súlade s Európskou smernicou 2002/96/ES o odpadných elektrických a elektronických zariadeniach (OEEZ).

Zaistenie správnej ekologickej likvidácie produktu pomôže vyvarovať sa možnému škodlivému dopadu na životné prostredie a ľudské zdravie, ktorý by inak mohol vzniknúť pri nesprávnej likvidácii tohoto výrobku.

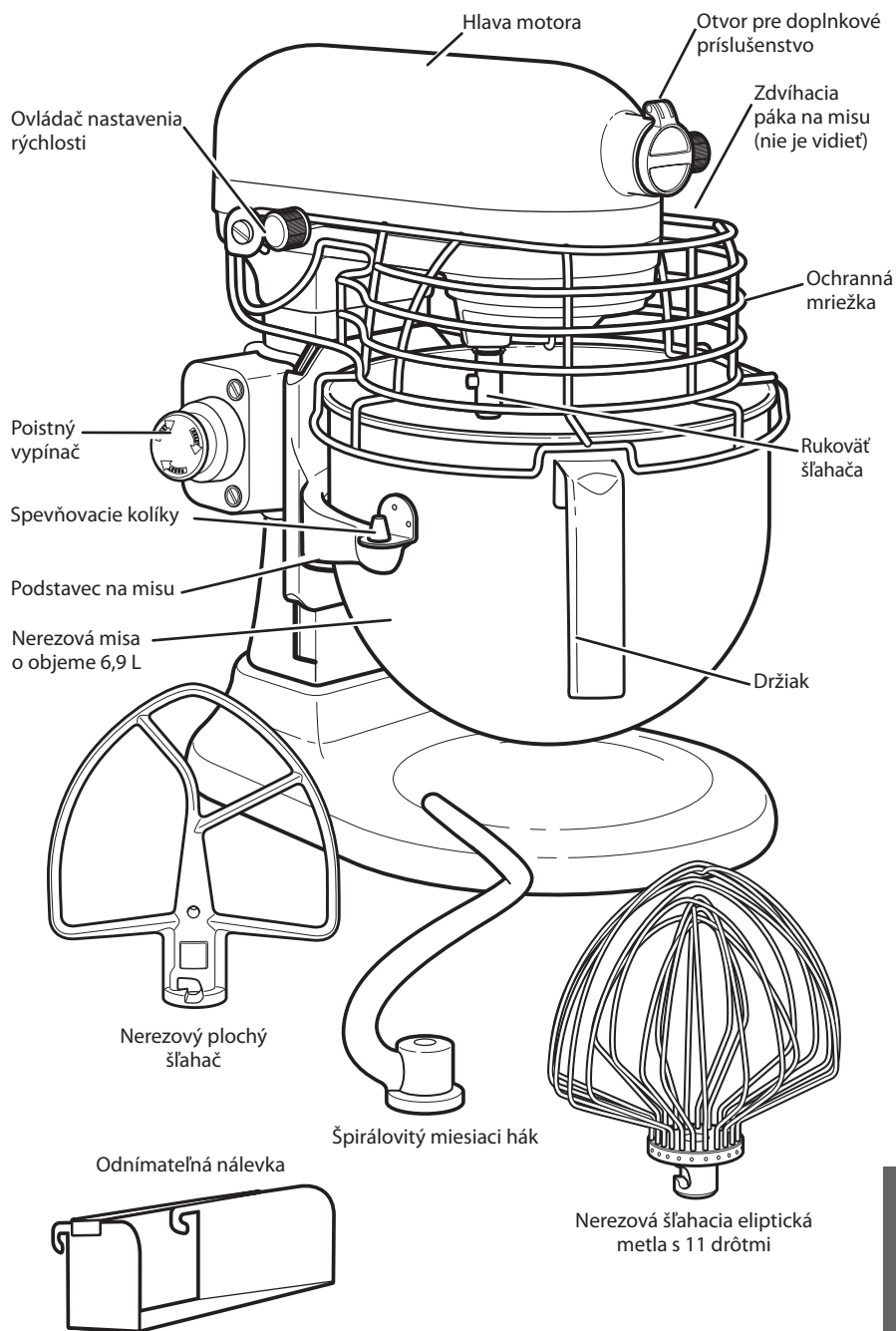
Symbol  na výrobku alebo na sprievodných dokumentoch k výrobku znamená, že s týmto prístrojom sa nesmie zachádzať ako s domovým odpadom.

Namiesto toho je potrebné prístroj odovzdať do najbližšieho zberného strediska k recyklácii elektrickej a elektronickej výbavy.

Likvidácia musí byť urobená v súlade s miestnymi predpismi pre likvidáciu odpadov.

Pre bližšie informácie ohľadom manipulácie, regenerácie a recyklácie tohoto výrobku kontaktujte prosím miestne úrady, službu likvidácie domových odpadov alebo predajňu, kde ste produkt zakúpili.

POPIS ČASTÍ A FUNKCIÍ



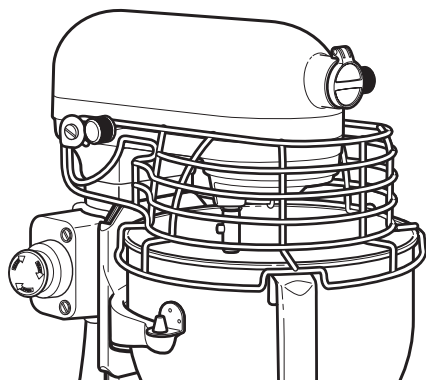
NASTAVENIE KUCHYNSKÉHO ROBOTA

Zostavenie kuchynského robota

Vloženie misy

1. Ovládač rýchlosti dajte do polohy „0“ (vypnuté).
2. Kuchynský robot odpojte zo zásuvky alebo vypnite prívod elektrického prúdu.
3. Zdvihnite ochrannú mriežku.
4. Zdvíhaciu páku na misu dajte do dolnej polohy.
5. Nasadte úchyty na mise cez upevňovacie kolíky.
6. Zatlačte na zadnú stranu misy, pokým záťažka nezapadne do pružinovej poistky.

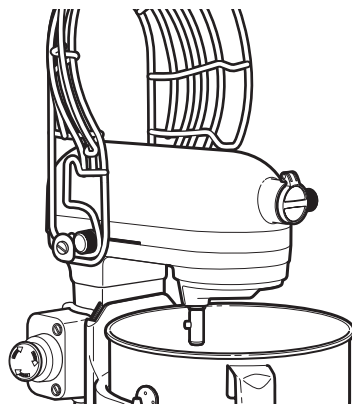
POZNÁMKA: Pokiaľ nebude misa bezpečne upevnená, bude nestabilná a bude sa v priebehu prevádzky kývať.



7. Spustite ochrannú mriežku.
8. Pred mixovaním misu zdvihnite.

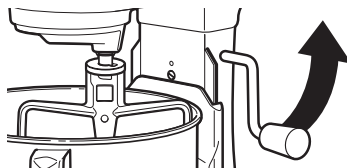
Vybratie misy

1. Ovládač rýchlosti dajte do polohy „0“ (vypnuté).
2. Kuchynský robot odpojte zo zásuvky alebo vypnite prívod elektrického prúdu.
3. Zdvihnite ochrannú mriežku.



4. Zdvíhaciu páku na misu dajte do dolnej polohy.
5. Vyberte plochý šľahač, šľahaciu metlu alebo miesiaci hák.
6. Chyťte misu za držiak a zdvihnite ju pohybom hore a zložte ju z upevňovacích kolíkov.

Zdvihnutie misy



1. Zdvíhacou pákou otočte proti smeru hodinových ručičiek do hornej polohy.
2. Misa musí byť pri prevádzke vždy vo zdvihnutej pozícii.

NASTAVENIE KUCHYNSKÉHO ROBOTA

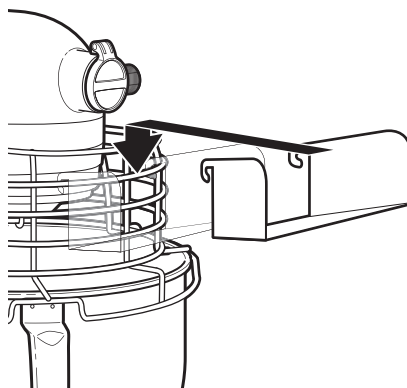
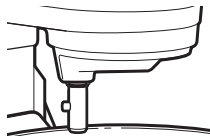
INŠTALÁCIA: Robot umiestnite na rovnom a stabilnom podklade, napríklad na pracovnej doske alebo na pracovnom stole.

Zníženie misy

1. Zdvíhacou pákou otočte späť dole.

Nasadenie plochého šľahača, šľahacej metly alebo miesiaceho háku

1. Ovládač rýchlosti dajte do polohy „0“ (vypnuté).
2. Kuchynský robot odpojte zo zásuvky alebo vypnite prívod elektrického prúdu.
3. Zdvihnite ochrannú mriežku.
4. Nasadte šľahač na rukoväť šľahača a zatlačte hore, ako len je to možné.
5. Otočte šľahačom doprava a zaháknite šľahač na zarážku na rukoväti.



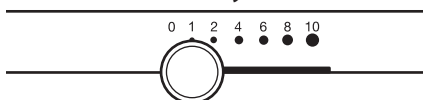
Odnímateľná nálevka

Odnímateľnou nálevku môžete jednoducho pripojiť k prednej strane ochrannej mriežky, tak ako je zobrazené na obrázku vyššie. Umožňuje vám jednoduché pridávanie prísad do misy robotu.

Vysunutie plochého šľahača, šľahacej metly alebo miesiaceho háku

1. Ovládač rýchlosti dajte do polohy „0“ (vypnuté).
2. Kuchynský robot odpojte zo zásuvky alebo vypnite prívod elektrického prúdu.
3. Zdvihnite ochrannú mriežku.
4. Zatlačte šľahač čo najviac hore a otočte ním doľava.
5. Vysuňte šľahač z rukoväte šľahača.

Ovládač nastavenia rýchlosti



Funkcia Soft Start minimalizuje riziko rozstreknutia prísad tým, že pomaly spúšťa robot pred zvýšením otáčok na zvolenú rýchlosť. Riziko rozstreknutia môžete ďalej minimalizovať tak, že vždy začnete s mixovaním na rýchlosti 1 a potom budete postupne podľa potreby rýchlosť zvyšovať. Pozri „Sprievodca nastavením rýchlosti“.

Ochrana motora funkciou auto-reset

Ak sa kuchynský robot zastaví z dôvodu preťaženia, posuňte ovládač nastavenia rýchlosti na „0“ (vypnuté) a vypojte robot zo zásuvky. Po niekoľkých minútach sa kuchynský robot automaticky vyresetuje. Zapojte robot opäť do zásuvky a posuňte ovládač nastavenia rýchlosti na požadovanú rýchlosť a pokračujte v mixovaní. Ak sa kuchynský robot nezapne, vypojte ho zo zásuvky na ďalšiu dobu a nechajte ho vychladnúť a až potom ho opäť zapnite. Ak sa kuchynský robot nezapne, pozrite sa do sekcie „Keď potrebujete opravára“.

Poistný vypínač

Ak potrebujete kuchynský robot rýchlo zastaviť počas prevádzky, stlačte vypínací poistku. Ak ho chcete opäť spustiť do prevádzky, vráťte ovládač nastavenia rýchlosti na „0“ (vypnuté) a vytiahnite poistný vypínač. Potom je váš kuchynský robot opäť pripravený k bežnému použitiu.

NASTAVENIE KUCHYŇSKÉHO ROBOTA

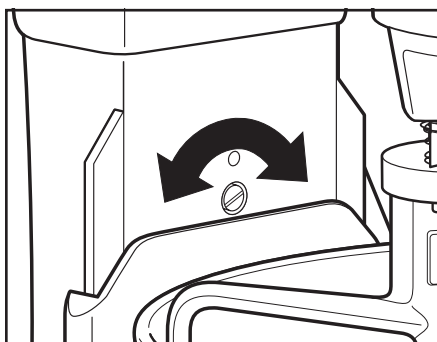
Nastavenie rozostupu medzi šľahačom a misou

Váš robot je nastavený už z továrne tak, že plochý šľahač stiera dno misy, ale nenaráža na ňu. Ak z akéhokoľvek dôvodu šľahač o dno misy naráža alebo je od dna misy príliš ďaleko, upravte rozostup medzi šľahačom a misou takto:

1. Ovládač rýchlosti dajte do polohy „0“ (vypnuté).
2. Kuchynský robot odpojte zo zásuvky alebo vypnite prívod elektrického prúdu.
3. Zdvihnite ochrannú mriežku.
4. Misu znížte do dolnej polohy.
5. Otočte skrutkou JEMNĚ proti smeru hodinových ručičiek (doľava), aby ste šľahač zdvihli alebo po smere hodinových ručičiek, aby ste ho naopak znížili.
6. Nastavenie robte s plochým šľahačom tak, aby bol tesne nad dnom misy. Pokiaľ skrutkou otočíte moc, môže sa stať, že zdvíhacia páka misy nezapadne na svoje miesto.

POZNÁMKA: Pokiaľ je robot správne nastavený, nebude plochý šľahač narážať na dno alebo do strán misy. Ak je plochý šľahač alebo nerezová šľahacia metla nastavená príliš blízko a naráža o dno misy, povrch plochého šľahača (u potiahnutých šľahačov) alebo drôty nerezovej šľahacej metly sa tým môžu opotrebovať.

Za istých podmienok bude nutné zotrieť steny misy stierkou bez ohľadu na nastavenie šľahača. Kuchynský robot je nutné zastaviť a steny misy zotrieť, inak môže dôjsť k poškodeniu robota.



POUŽITÍ KUCHYŇSKÉHO ROBOTU

Použitie príslušenstva KitchenAid

Plochý šľahač sa používa na miešanie surovín normálnych až hustých (Odporúčaná doba mixovanie je 1 až 10 minút, podľa receptu):

torty	keksy
maslové krémy	rýchly chlieb
cukrovinky	mleté mäso
sušienky	zemiaková kaša
cesto na koláče	

Šľahacia metla sa používa na miešanie surovín, do ktorých je potrebné našľahať vzduch (Odporúčaná doba mixovanie je 1 až 30 minút, podľa receptu):

vajca	varené polevy
bielka	biskvitové cesto
šľahačka	majonéza

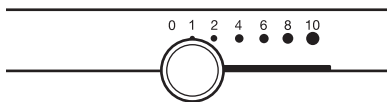
Miesaci hák sa používa na miešanie a miesenie cesta (Odporúčaná doba mixovanie je 1 až 10 minút, podľa receptu):

chlieb	žemle
rožky	sladké pečivo

POUŽITIE KUCHYNSKÉHO ROBOTA

Sprievodca nastavením rýchlosti – 10 rýchlostí mixovania

Všetky rýchlosti sú vybavené funkciou Soft Start, ktorá spúšťa robot pri nižšej rýchlosti, takže pri štarte nedôjde k rozstrekaniu prísad a vyfúknutiu múky. Rýchlosť sa potom rýchlo zvyšuje až na rýchlosť zvolenú pre optimálny výkon. stanovenie rýchlosti



Číslo rýchlosti	Používa sa na	Príslušenstvo	Popis
1	MIEŠANIE		Pre pomalé miešanie, prepojenie, mačkanie, pre začiatok každého mixovania. Použite pri pridávaní múky, suchých prísad do liateho cesta a tekutín do suchých prísad. Nepoužívajte rýchlosť 1 pre miešanie alebo hnetenie kysnutého cesta.
2	POMALÉ miešanie, hnetenie		Pre pomalé miešanie, mačkanie, rýchlejšie miešanie. Použite pri mixovaní a hnetení kysnutého cesta, tuhšieho liateho cesta a sladkostí, na začiatku rozmačkávania zemiakov alebo inej zeleniny, na zapracovanie tuku do pečiva a do múky, miešanie riedkych liatych ciest.
4	Miešanie, šľahanie		Pre mixovanie stredne tuhého liateho cesta, ako napr. cesta na sušienky. Použite k primiešaniu cukru a tuku do pečiva a keď pridávate cukor do bielkov na sneh. Stredná rýchlosť pre miešanie tortového cesta.
6	ŠĽAHANIE A TVORBA KRÉMOV		Pre stredne rýchle šľahanie krémov alebo šľahačky. Použite, keď dokončujete miešanie tortového cesta, cesta na šišky a iných liatych ciest. Vysoká rýchlosť pre liate cestá.
8-10	RÝCHLE šľahanie		Pre šľahanie krémov, bielkov a varených poliev. Pre šľahanie malého množstva krémov, bielkov alebo pre záverečné vyšľahanie zemiakovej kaše.

POZNÁMKA: Pre miešanie alebo hnetenie kysnutého cesta používajte rýchlosť 2. Pri použití vyšších rýchlostí je vysoká pravdepodobnosť poškodenia kuchynského robota. Výkonný špirálovitý miesiaci hák uhnetie väčšinu kysnutých ciest za približne 4 minúty.

Kapacitná tabuľka

	Misa o objeme 6,9 L
Múka	2 až 2,2 kg
Chlieb	8 chlebov o hmotnosti 450g
Sušienky/ cukrovinky	160 kusov
Zemiaková kaša	3,6 kg

Slovenský

ÚDRŽBA A ČISTENIE

Nerezovú misu, plochý šľahač, nerezovú šľahaciu metlu, špirálovitý miesiaci hák a nálevku je možné umyť v automatickej umývačke alebo čistiť v horúcej vode so saponátom a pred osušením dôkladne opláchnuť. Nepoužívajte čističe s hodnotou pH menej ako 5. Šľahače neskladujte nasadené na rukoväti šľahača. Robot neoplachujte prúdom vody ani sprchou

VAROVANIE

RIZIKO ÚRAZU ELEKTRICKÝM PRÚDOM

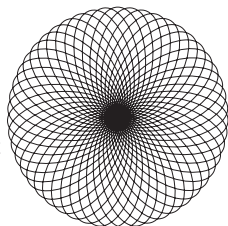
PRED ČISTENÍM VŽDY ODPOJTE PRÍSTROJ ZO ZÁSUVKY, ABY STE ZABRÁNILI ÚRAZU ELEKTRICKÝM PRÚDOM.

Prístroj oprite navlhčenou špongiou. NIKDY NEPONÁRAJTE DO VODY. Rukovät šľahača často utierajte, aby ste odstránili všetky zvyšky, ktoré sa na ňom mohli zachytiť.

TIPY PRE VYNIKAJÚCE VÝSLEDKY

Planetárne mixovanie

V priebehu činnosti sa plochý šľahač pohybuje okolo misy a zároveň sa točí v protismere pozdĺž svojej vlastnej osi. Obrázok ukazuje úplné vykrytie



misy pri činnosti ramien šľahača.

Model 5KSM7990 má menovitý výkon 500 Watt a používa motor s jednosmerným prúdom. Je to tichý a účinný motor, ktorý v spojení s priamym prenosom hnacej sily umožňuje pohon 1,3 konských síl pri najvyššom výkone (výkon motora) a umožňuje tak rýchle a vynikajúce výsledky aj pri miešaní ťažkých ciest.

Doba mixovania

Kuchynský robot KitchenAid je rýchlejší a výkonnejší než väčšina elektrických robotov. Preto musíte dobu mixovania uvádzanú vo väčšine receptov upraviť, aby ste zabránili premixovaniu.

Aby ste boli schopný stanoviť ideálnu dobu mixovania, pozorujte cesto a miešajte iba pokiaľ nebude mať požadovanú konzistenciu, ktorá je popísaná v recepte, ako napríklad „hladká a krémová“. Pre zvolenie najlepšej rýchlosti mixovania sa pozrite do sekcie Sprivodca nastavením rýchlosti.

Mixovanie

! VAROVANIE

RIZIKO ZRANENIA OSÔB

Aby ste zabránili vášmu zraneniu a poškodeniu robota, nepokúšajte sa stierať misu behom prevádzky. Pred stieraním prístroj vždy vypnite. Pokiaľ by do misy spadla stierka alebo iný predmet, prístroj najprv VYPNITE a až potom predmet vyberte.

Misa a šľahač sú navrhnuté tak, aby zaistili mixovanie bez nutnosti častého stierania stien misy. Obvykle stačí steny misy zotrieť 1-2x v priebehu mixovania. Robot sa môže behom prevádzky zahriať. V prípade dlhého miešania alebo miešania ťažkého cesta môže byť povrch kuchynského robota horúci, ale je to normálne.

Tipy pre mixovanie

Pridávanie prísad

Vždy pridávajte prísady čo najbližšie k strane misy, nie priamo do pohybujúceho sa šľahača. Pridávanie prísad si uľahčíte použitím nalievacieho krytu. Najprv použite rýchlosť 1, pokiaľ sa prísady nezpracujú do zmesi. Potom rýchlosť postupne zvyšujte až na požadovanú rýchlosť.

Pridávanie orechov, hrozienok alebo kandovaného ovocia

Pri pridávaní týchto prísad postupujte podľa jednotlivých receptov. Všeobecne platí, že pevné prísady by sa mali pridávať až v posledných niekoľkých sekundách miešania pri rýchlosti 1. Liate cesto by malo byť dostatočne husté, aby udržalo ovocie alebo orešky na povrchu a aby potom prísady v priebehu pečenia neklesli dole. Lepkavé kúsky ovocia by mali byť obalené v múke, aby sa v ceste lepšie rozmiestnili.

Miešanie tekutých zmesí

Zmesi obsahujúce veľké množstvo tekutých prísad by sa mali miešať na nižšej rýchlosti, aby sa zabránilo striekaniu. Rýchlosť zvyšujte až po tom, čo zmes zhutne.

POZNÁMKA: Pokiaľ nebudú prísady na samom dne misy dobre premiešané, potom nie je šľahač dost' hlboko v mise. Pozrite sa do sekcie Nastavenie kuchynského robota.

SERVIS A ZÁRUKA

Keď potrebujete opravára

! VAROVANIE



Nebezpečenstvo úrazu elektrickým prúdom.

Pred opravou vypojte zo zásuvky.

Pri nedodržaní týchto pokynov hrozí nebezpečenstvo úmrtia alebo úrazu elektrickým prúdom.

Predtým než zavoláte servisné stredisko, skontrolujte:

1. Robot sa môže behom použitia zahriať. Je úplne normálne, že sa nebudete môcť dotknúť povrchu robota, ak bol použitý po dlhú dobu pre miešanie ťažkého cesta.
2. Robot môže vydávať zvláštny pach, hlavne keď je nový. To je u elektrických motorov bežné.

3. Ak šľahač naráža na steny alebo dno misy, okamžite ho vypnite. Pozrite sa do sekcie Nastavenie rozostupu medzi šľahačom a misou.

Ak prístroj nepracuje tak, ako by mal, skontrolujte:

- Je šnúra pevne v zásuvke?
- Je v poriadku poistka obvodu, na ktorý je robot napojený. Pokiaľ máte skrinku s ističmi, presvedčte sa, že je obvod uzatvorený.
- Je vytiahnutý poistný vypínač?
- Robot vypnite na 10-15 sekúnd a potom ho zase zapnite. Pokiaľ robot opäť nefunguje, nechajte ho pred ďalším zapnutím 30 minút vychladnúť.
- Ak vyššie spomenuté možnosti nefungujú a závada nie je odstránená, pozrite sa do sekcie Servisné strediská.

Záruka na komerčné použitie kuchynského robota so zdvíhacou misou KitchenAid

Dĺžka záruky:	KitchenAid hradí:	KitchenAid nehradí:
Európa, Austrália a Nový Zéland: Na komerčný kuchynský robot 5KSM7990: Jeden rok plná záruka od dátumu predaja.	Náhradné diely a náklady na prácu pri oprave väd materiálu alebo dielenského spracovania. Servis musí robiť autorizované servisné stredisko KitchenAid.	Poškodenie vzniknuté nehodou, úpravami, nevhodným použitím, zneužitím alebo inštaláciou či prevádzkou, ktorá je v rozpore s miestnymi elektrotechnickými normami.

KITCHENAID NEPREBERÁ ŽIADNOU ZODPOVEDNOSŤ ZA NEPRIAME ŠKODY.

SERVIS A ZÁRUKA

Servisné strediská

Servis bude vždy zaistovať miestne autorizované servisné stredisko KitchenAid. Názov a adresu najbližšieho servisného strediska KitchenAid si vyžiadajte od predajcu, u ktorého ste prístroj zakúpili.

Luboš Vymazal – MAGNUM

Brněnská 37
682 01 Vyškov
Česká republika

tel.: +420 517 346 256
mob.: +420 724 767 114
fax: +420 517 330 415
www.kitchenaid.cz

POTTEN & PANNEN - STANĚK group

Obchodní 110
251 01 Čestlice
Česká republika

tel: +420 261 227 373
fax:+420 261 227 372
www.pottenpannen.cz

Zákaznické služby

Luboš Vymazal – MAGNUM

Brněnská 37
682 01 Vyškov
Česká republika

tel.: +420 517 346 256
mob.: +420 724 767 114
fax: +420 517 330 415
www.kitchenaid.cz

POTTEN & PANNEN - STANĚK group

Obchodní 110
251 01 Čestlice
Česká republika

tel: +420 261 227 373
fax:+420 261 227 372
www.pottenpannen.cz

www.pottenpannen.cz
www.kitchenaid.cz



Technology Center
303 Upton Drive, St. Joseph, MI 49085-1175

**EU – DECLARATION OF CONFORMITY
CE-DECLARATION DE CONFORMITE**

We: WHIRLPOOL CORPORATION, 303 UPTON DR., ST. JOSEPH, MI 49085, USA
Representing: WHIRLPOOL EUROPE S.r.l I-21025 COMERIO

Declare under sole responsibility that the product:

KitchenAid™ Stand Mixers: Model 5KSM79XX+

Where:

XX = up to 2 alphanumeric characters, which represents the features, distributor code and/or color

+ = May or may not be followed by five or more digit suffix codes to indicate change in aesthetics

to which this declaration relates, is in conformity with the following standard(s) or other normative document(s):

- IEC 60335-1: Ed.5: 2010**
- IEC 60335-2-64: Edition 3.1 2008-03**
- EN 55014-1:2006 + A1:2009**
- EN 55014-2:1997 + A1:2001 + A2:2008**
- EN 61000-3-2:2006 + A1:2009 + A2:2009**
- EN 61000-3-3:2008**
- EN 62233:2008**

The model listed conforms to the provisions of Directive (s):

- | | |
|---------------------|---|
| 2004/108/EC | ELECTROMAGNETIC COMPATABILITY DIRECTIVE |
| 2006/95/EC | LOW VOLTAGE DIRECTIVE |
| 2006/42/EC | MACHINERY DIRECTIVE |
| 10/2011/EU | PLASTIC MATERIALS INTENDED TO CONTACT FOOD |
| 1935/2004/EC | MATERIALS INTENDED TO CONTACT FOOD |

Slovenský

Place and Date:
Saint Joseph, MI, USA
30 January, 2012

Represented by:

Mark Dahmer
Engineering Director
KitchenAid Portable Appliances Division



FOR THE WAY IT'S MADE.

© 2012. Všetky práva vyhradené.
Technické špecifikácie sa môžu zmeniť bez predchádzajúceho upozornenia.



KitchenAid

6.9 L PROFESSIONAL BOWL-LIFT STAND MIXER

Original Instructions

KÜCHENMASCHINE MIT SCHÜSSELHEBER UND 6,9 L SCHÜSSEL FÜR DEN GEWERBLICHEN EINSATZ

Originalanleitungen

ROBOT SUR SOCLE PROFESSIONNEL À BOL RELEVABLE DE 6,9 L

Instructions d'origine

ROBOT DA CUCINA PROFESSIONALE CON SOLLEVAMENTO CIOTOLA DA 6,9 L

Istruzioni originali

6,9 L PROFESSIONELE MIXER/KEUKENROBOT MET IN DE HOOGTE VERSTELBARE KOM

Originele instructies

BATIDORA PROFESIONAL DE PIE CON BOL ELEVABLE DE 6,9 L

Instrucciones originales

BATEDEIRA PROFISSIONAL COM SUPORTE PARA TAÇA DE 6,9 L

Intruções originais

ΕΠΑΓΓΕΛΜΑΤΙΚΟ ΜΙΞΕΡ ΜΕ ΒΑΣΗ ΚΑΙ ΥΠΕΡΥΨΩΜΕΝΟ ΜΠΟΛ 6,9 L

Αρχικές οδηγίες

6,9 L PROFESSIONELL KÖKSMASKIN MED SKÅL PÅ HÄVARM

Originalinstruktioner

6,9 L BOLLELØFTENDE KJØKKENMASKIN

Originale instruksjoner

6,9 L AMMATTIKÄYTTÖÖN TARKOITETTU YLEISKONE

Alkuperäiset ohjeet

6,9 L PROFESSIONEL KØKKENMASKINE MED SKÅLLØFT

Originale Instruktioner

6,9 L BORDHRÆRIVÉL MEÐ LYFTANLEGRI SKÁL FYRIR FAGFÓLK

Upphaflegar leiðbeiningar

ПРОФЕССИОНАЛЬНЫЙ МИКСЕР СО СЪЕМНОЙ ЧАШЕЙ 6,9 Л

Оригинальные инструкции

PROFESJONALNY MIKSER STOJĄCY Z PODNOSZONĄ DZIEŻĄ 6,9 L

Originalna instrukcja

PROFESIONÁLNÍ KUCHYŇSKÝ ROBOT SE ZVEDACÍ MÍSOU O OBJEMU 6.9 L

Originální pokyny

PROFESIONÁLNY KUCHYŇSKÝ ROBOT SO ZDVÍHACOU MISOU O OBJEME 6,9 L

Originálne pokyny

MIXER PROFESIONAL CU SOCLU ŞI BOL DE 6,9 L

Instrucţiuni originale

ПРОФЕССИОНАЛЕН КУХНЕНСКИ РОБОТ С ПОВДИГАЩА СЕ КУПА С ВМЕСТИМОСТ 6,9 L

Оригинални инструкции

Model 5KSM7990*



Cuprins

SIGURANȚA ÎN UTILIZAREA MIXERULUI CU SOCLU	
Reguli importante de siguranță	258
Cerințe electrice	259
Eliminarea deșeurilor electrice.....	259
COMPONENTE ȘI CARACTERISTICI.....	260
INSTALAREA MIXERULUI CU SOCLU	
Asamblarea mixerului cu soclu.....	261
Reglarea distanței dintre bătător și bol	263
UTILIZAREA MIXERULUI CU SOCLU	
Modul de Utilizare a Accesoriilor KitchenAid	263
Ghidul comenzilor privind viteza - 10 viteze pentru mixerele cu soclu	264
ÎNGRIJIRE ȘI CURĂȚARE	265
SFATURI PENTRU REZULTATE OPTIME	
Acțiunea planetară de mixare	266
Durata de mixare	266
Utilizarea mixerului	266
Sfaturi privind mixarea.....	266
SERVICE ȘI GARANȚIE	
Cazuri în care aveți nevoie de service.....	267
Garanție pentru mixerul profesional cu soclu și bol KitchenAid	267
Centre de service	268
Serviciul Clienți	268

SIGURANȚA ÎN UTILIZAREA MIXERULUI CU SOCLU

Siguranța dvs. și a celorlalți este foarte importantă.

Am introdus în acest manual și am aplicat pe aparat multe mesaje de siguranță importante. Citiți și respectați întotdeauna toate mesajele de siguranță.



Acesta este simbolul de avertizare asupra siguranței.

Acest simbol vă avertizează asupra posibilelor pericole care vă pot ucide sau răni pe dvs. și pe ceilalți.

Toate mesajele de siguranță vor urma după simbolul de siguranță și după cuvântul "PERICOL" sau "AVERTIZARE." Aceste cuvinte înseamnă:

 **PERICOL**

Puteți fi ucis sau rănit grav dacă nu urmați imediat instrucțiunile.

 **AVERTISMENT**

Puteți fi ucis sau rănit grav dacă nu urmați instrucțiunile.

Toate mesajele de siguranță vă spun care este pericolul potențial, cum să reduceți probabilitatea de accident și ce se poate întâmpla dacă nu urmați instrucțiunile.

Reguli importante de siguranță

Când folosiți aparate electrice trebuie să respectați întotdeauna măsurile elementare de precauție, printre care se numără următoarele:

1. Citiți toate instrucțiunile.
2. Pentru a vă proteja împotriva riscului de electrocutare, nu scufundați mixerul cu soclu în apă sau în alte lichide.
3. Este necesară supravegherea atentă atunci când aparatul este utilizat de către copii sau în apropierea acestora.
4. Deconectați mixerul cu soclu de la priza de perete când nu-l folosiți, înainte de a monta și de a demonta componente, precum și înainte de curățare.
5. Evitați contactul cu piesele mobile. Țineți mâinile, părul, îmbrăcămintea, precum și spatulele și alte ustensile departe de bătător în timpul funcționării pentru a reduce riscul de rănire a persoanelor și/sau de deteriorare a mixerului cu soclu.
6. Nu utilizați mixerul cu soclu cu un cablu de alimentare sau un ștecher defect sau după ce aparatul a funcționat defectuos, a fost lovit sau avariat în orice fel.
7. Utilizarea accesoriilor care nu sunt recomandate sau vândute de KitchenAid poate provoca incendii, electrocutări sau rănire.
8. Nu folosiți mixerul cu soclu în aer liber.
9. Nu lăsați cablul de alimentare să atârne deasupra marginii mesei sau a blatului.
10. Îndepărtați bătătorul plat, telul de sârmă sau cârligul de aluat de pe mixerul cu soclu înainte de spălare.
11. Acest aparat nu este destinat utilizării de către persoane (inclusiv copii) cu capacități fizice, senzoriale sau mentale reduse, sau lipsite de experiență și de cunoștințe, cu excepția cazului în care sunt supravegheate sau învățate cum să utilizeze aparatul de către o persoană responsabilă de siguranța lor.

**PĂSTRAȚI ACESTE INSTRUCȚIUNI
ACEST PRODUS ESTE CONCEPUT
PENTRU UZ PROFESIONAL**

SIGURANȚA ÎN UTILIZAREA MIXERULUI CU SOCLU

Cerințe electrice

⚠ AVVERTENZA



Pericolo di scossa elettrica

Collegare solo a una presa con messa a terra.

Non rimuovere lo spinotto di terra.

Non utilizzare adattatori.

Non utilizzare prolunghe.

Il mancato rispetto di questa avvertenza può provocare morte, incendi o scosse elettriche.

Volți: 220-240 C.A.

Hertz: 50/60 Hz

Putere: 325 W, durata de funcționare recomandată: 1-30 minute cu un ciclu de 10 min. PORNIT / 15 min. OPRIT.

NOTĂ: Puterea nominală maximă pentru mixerul cu soclu este indicată pe placa de serie, localizată sub standul mixerului.

Nu folosiți prelungitor. În cazul în care cablul de alimentare este prea scurt, apelați la un electrician calificat să vă instaleze o priză lângă aparat.

Puterea nominală maximă exprimată în wați este determinată prin utilizarea accesoriului cu cel mai mare consum. Alte accesorii recomandate pot avea consumuri de curent semnificativ mai mici.

Acest produs este livrat cu un cablu de alimentare de tip Y. În cazul în care cablul de alimentare este deteriorat, acesta trebuie înlocuit de către producător sau de către un agent de service în scopul de a evita orice pericole.


Nivelul de presiune acustică, măsurată în conformitate cu procedura de testare prEN 454, este mai mic de 70 bBA.

„**” în numărul modelului reprezintă caracterele suplimentare ce desemnează culoarea mașinii și cifrele tehnice pentru modelul actual (de ex. 5KSM7990 *).

Eliminarea deșeurilor electrice

Acest aparat este marcat conform directivei europene 2002/96/CE privind deșeurile de echipamente electrice și electronice (DEEE).

Asigurându-vă că acest produs este eliminat corect, veți ajuta la prevenirea posibilelor consecințe negative asupra mediului înconjurător și asupra sănătății omului, care, în caz contrar, ar putea fi provocate de eliminarea necorespunzătoare a deșeurilor rezultate din acest produs.

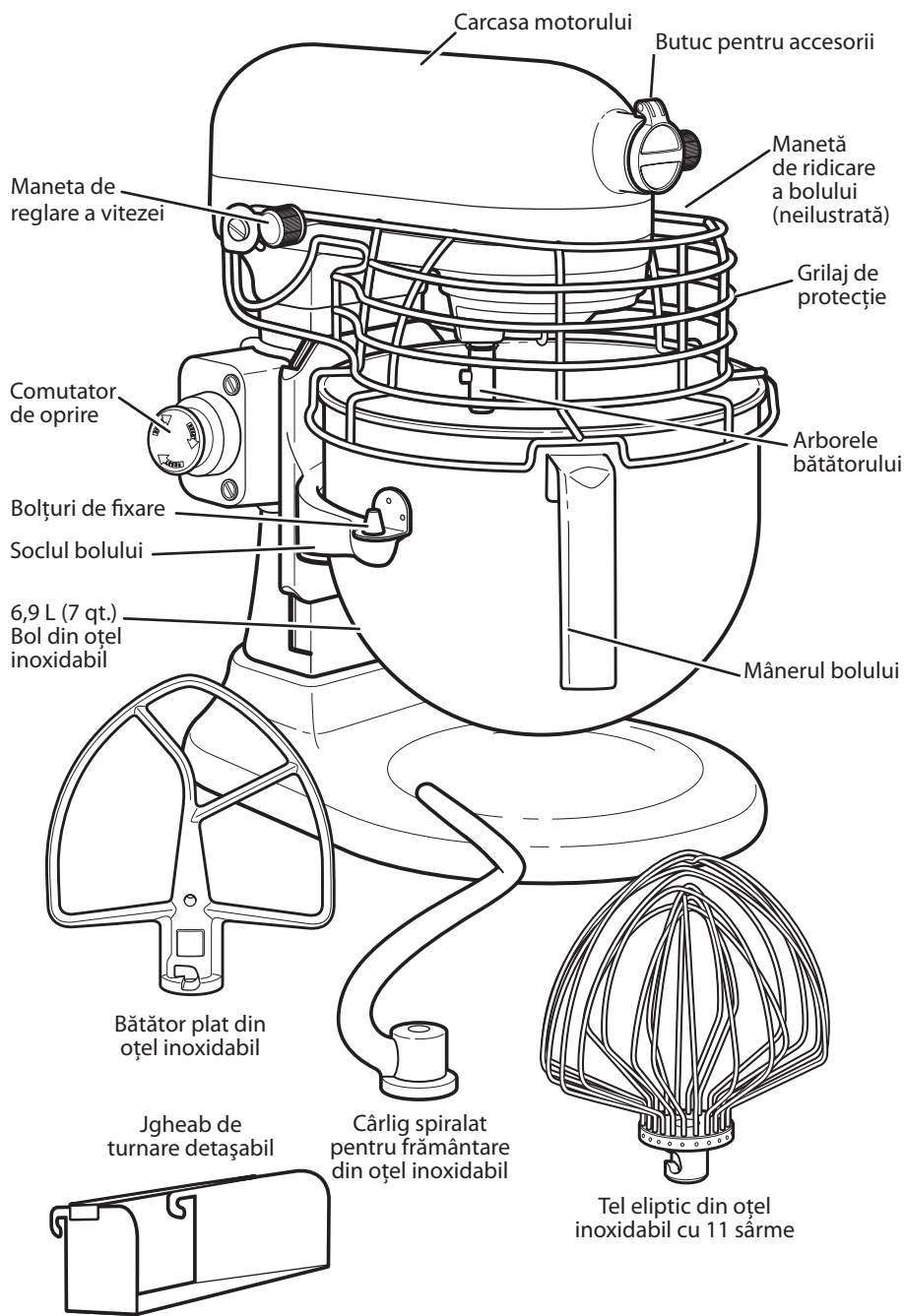
Simbolul  aplicat pe produs sau în documentele care însoțesc produsul indică faptul că acest aparat nu trebuie

tratată ca gunoi menajer. În schimb, trebuie predat unei unități de colectare autorizate pentru reciclarea echipamentelor electrice și electronice.

Eliminarea trebuie efectuată în conformitate cu legislația locală de mediu privind eliminarea deșeurilor.

Pentru informații detaliate despre tratarea, recuperarea și reciclarea acestui produs, contactați biroul primăriei locale, serviciul local de reciclare a deșeurilor sau magazinul de unde ați cumpărat produsul.

COMPONENTE ȘI CARACTERISTICI



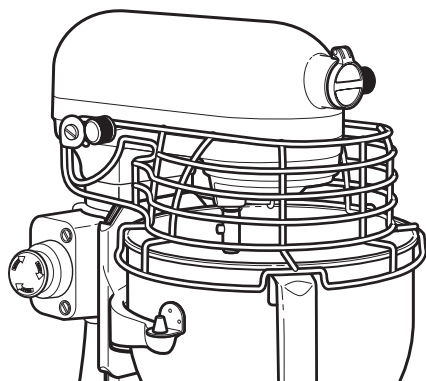
INSTALAREA MIXERULUI CU SOCLU

Asamblarea mixerului cu soclu

Pentru a atașa bolul

1. Aduceți comanda de viteză în poziția „0” (OPRIT).
2. Deconectați mixerul cu soclu de la sursa de alimentare.
3. Ridicați grilajul de protecție.
4. Aduceți maneta de ridicare a bolului în poziția de jos.
5. Fixați suportii bolului peste bolțurile de fixare.
6. Apăsați în jos și în spate bolul până când bolțurile castronului se fixează în locașul cu arc.

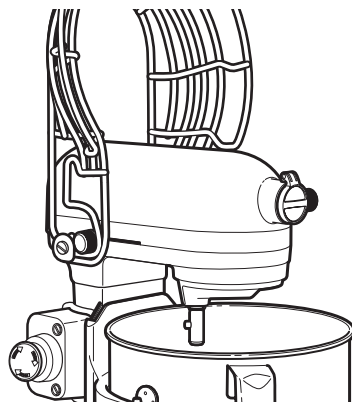
NOTĂ: Dacă bolul nu este bine fixat, este instabil și se mișcă în timpul utilizării.



7. Aduceți grilajul de protecție.
8. Ridicați bolul înainte de a începe mixarea.

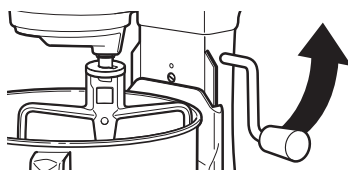
Pentru a îndepărta bolul

1. Aduceți comanda de viteză în poziția „0” (OPRIT).
2. Deconectați mixerul cu soclu de la sursa de alimentare.
3. Ridicați grilajul de protecție.



4. Aduceți maneta de ridicare a bolului în poziția de jos.
5. Îndepărtați bătătorul plat, telul de sârmă sau cârligul pentru frământat
6. Apucați mânerul bolului și ridicați drept în sus și în exterior pentru deblocarea bolțurilor de fixare.

Pentru a ridica bolul



1. Rotiți maneta în sens contrar mersului acelor de ceasornic pentru a ridica drept în sus.
2. Bolul trebuie să fie întotdeauna în poziția ridicată și blocată în timpul mixării.

INSTALAREA MIXERULUI CU SOCLU

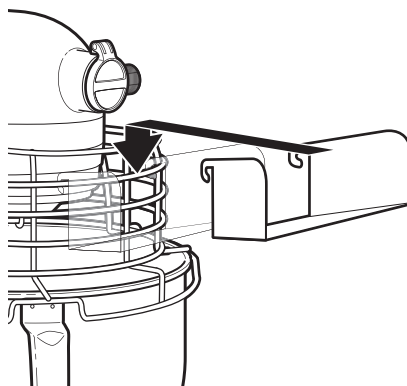
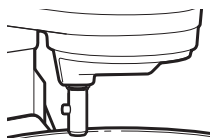
INSTALARE: mixerul cu soclu trebuie instalat pe o suprafață plană și stabilă cum ar fi blatul dulapului sau masa de lucru.

Pentru a cobori bolul

1. Rotiți maneta în spate și în jos.

Pentru a atașa bătătorul plat, telul de sârmă sau cârligul pentru frământat

1. Aduceți comanda de viteză în poziția „0” (OPRIT).
2. Deconectați mixerul cu soclu de la sursa de alimentare sau întrerupeți alimentarea.
3. Ridicați grilajul de protecție.
4. Introduceți bătătorul plat pe arborele bătătorului și împingeți-l în sus cât mai mult posibil.
5. Rotiți bătătorul spre dreapta, prinzând bătătorul peste bolțul de pe arbore.



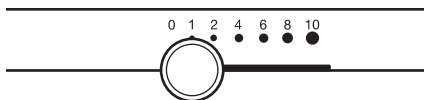
Jgheab de turnare detașabil

Jgheabul de turnare detașabil se atașează cu ușurință în partea din față a grilajului de protecție, conform ilustrației de mai sus. Jgheabul oferă o modalitate convenabilă de a adăuga ingrediente în bolul mixerului cu soclu.

Pentru a îndepărta bătătorul plat, telul de sârmă sau cârligul pentru frământat

1. Aduceți comanda de viteză în poziția „0” (OPRIT).
2. Deconectați mixerul cu soclu de la sursa de alimentare sau întrerupeți alimentarea.
3. Ridicați grilajul de protecție.
4. Împingeți bătătorul în sus cât mai mult posibil și rotiți-l spre stânga.
5. Scoateți bătătorul afară din arborele său.

Maneta de reglare a vitezei



Caracteristica de pornire lentă reduce stropirea pornind mixerul la o viteză redusă înainte de a mări la viteza selectată. Pentru a reduce și mai mult potențialul de stropire, începeți întotdeauna mixarea la viteza 1, apoi treceți treptat la viteze mai mari după nevoie. Consultați „Ghidul comenzilor privind viteza”.

Autoresetarea protecției motorului

Dacă mixerul cu soclu se oprește din cauza supraîncărcării, glisați maneta de reglare a vitezei în poziția „0” (OPRIT) și deconectați mixerul cu soclu. După câteva minute, mixerul cu soclu se va reseta în mod automat. Conectați mixerul cu soclu la alimentarea cu energie electrică, glisați maneta de reglare a vitezei la viteza dorită și continuați mixarea. În cazul în care mixerul cu soclu nu repornește, deconectați mixerul cu soclu pentru o perioadă mai lungă de timp pentru a-i permite să se răcească, apoi conectați-l din nou și reporniți mixerul cu soclu. În cazul în care mixerul cu soclu nu repornește, consultați secțiunea „Cazuri în care aveți nevoie de service”.

Comutator de oprire

Dacă trebuie să opriți imediat mixerul cu soclu în timpul utilizării, apăsați comutatorul de oprire. Pentru a relua funcționarea, resetați maneta de reglare a vitezei în poziția „0” (OPRIT) și trageți comutatorul de oprire. Apoi, mixerul cu soclu este gata pentru a fi utilizat în mod normal din nou.

INSTALAREA MIXERULUI CU SOCLU

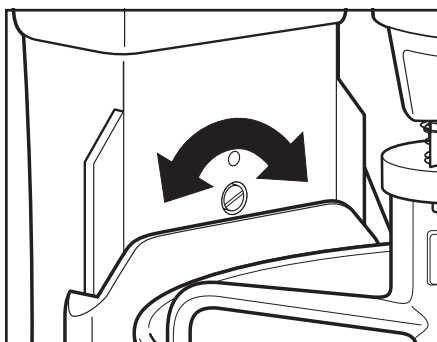
Reglarea distanței dintre bătător și bol

Mixerul cu soclu a fost reglat în fabrică, astfel încât bătătorul plat să nu atingă fundul bolului. Dacă, indiferent de motiv, bătătorul plat lovește fundul bolului sau este prea departe de bol, puteți corecta distanța cu ușurință.

1. Aduceți comanda de viteză în poziția „0” (OPRIT).
2. Deconectați mixerul cu soclu de la sursa de alimentare.
3. Ridicați grilajul de protecție.
4. Coborâți bolul în poziția de jos.
5. Rotiți ușor șurubul de reglare a înălțimii bătătorului în sens opus acelor de ceasornic (stânga) pentru a ridica bătătorul plat sau rotiți-l în sensul acelor de ceasornic (dreapta) pentru a coborî bătătorul plat.
6. Reglați bătătorul plat, astfel încât să nu atingă suprafața bolului. Dacă rotiți prea mult șurubul, este posibil ca maneta de ridicare a bolului să nu se poată fixa pe poziție.

NOTĂ: Dacă este reglat corect, bătătorul plat nu se va lovi de fundul sau de pereții bolului. Dacă bătătorul plat sau telul de oțel inoxidabil este atât de aproape, încât lovește fundul bolului, este posibil ca stratul de protecție al bătătorului să se uzeze sau ca telul de oțel inoxidabil să se deterioreze.

Răzuirea pereților bolului poate fi necesară, în anumite condiții, indiferent de reglarea bătătorului. Mixerul cu soclu trebuie să fie oprit pentru a răzui bolul, în caz contrar se poate defecta mixerul.



UTILIZAREA MIXERULUI CU SOCLU

Modul de Utilizare a Accesoriilor KitchenAid

Bătător plat pentru amestecuri normale spre grele (Durata de funcționare recomandată este de 1-10 minute, în funcție de rețetă):

prăjituri	biscuiți
glazuri cu frișcă	aluat de tarte
bomboane	ruladă de carne
pricomigdale	cartofi piure
patiserie	

Tel de sârmă pentru amestecuri care necesită încorporarea aerului (Durata de funcționare recomandată este de 1-30 minute, în funcție de rețetă):

ou	glazuri fierte
albuș de ou	pandișpan
frișcă bătută tare	maioneză

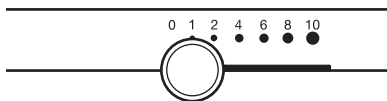
Cârlig pentru frământarea aluatului pentru amestecarea și frământarea aluaturilor cu drojdie (Durata de funcționare recomandată este de 1-10 minute, în funcție de rețetă):

pâine	prăjitură pentru
chifle	cafea patiserie

UTILIZAREA MIXERULUI CU SOCLU

Ghidul comenzilor privind viteza - 10 viteze pentru mixerele cu soclu

Toate vitezele au funcția de pornire lentă (Soft Start) care pornește în mod automat mixerul cu soclu la o viteză mică, pentru a evita împroșcarea și ridicarea făinii în momentul pornirii, iar viteza se mărește apoi rapid până la treapta selectată pentru o performanță optimă.



Viteză	Utilizată pentru	Accesorii	Descriere
1	Amestecare		Pentru amestecare ușoară, pasare, începerea tuturor procedurilor de mixare. Folosiți pentru a adăuga făină și ingrediente uscate în aluat și pentru adăuga lichide în ingrediente uscate. Nu folosiți treapta de viteză 1 pentru a frământa aluaturile cu drojdie.
2	Mixare ușoară, frământare		Pentru mixare lentă, pasare, amestecare mai rapidă. Folosiți pentru a mixa și frământa aluaturile cu drojdie, aluaturile tari și prăjiturile, pentru a începe să striviți cartofii sau alte legume, pentru a înăbuși grăsimea de frăgezire a aluatului în făină, pentru a mixa aluaturi subțiri sau care stropesc.
4	Mixare, batere		Pentru mixarea aluaturilor semitari, cum sunt cele pentru pricomidale. Folosiți pentru a combina zahăr și grăsime de frăgezire a aluatului și pentru a adăuga zahăr în albușuri de ou pentru bezele. Viteză medie pentru aluaturi de prăjituri.
6	Batere, creme		Pentru batere medie spre rapidă (creme) sau pentru frișcă. Utilizați pentru a finisa mixarea aluatului pentru prăjituri, gogoși și a altor aluaturi. Viteză mare pentru aluaturi de prăjituri.
8-10	Batere rapidă, frișcă, frișcă rapidă		Pentru frișcă, albușuri de ou și glazuri fierte. Pentru baterea unor cantități mici de smântână, albușuri de ou sau pentru baterea finală a cartofilor piure.

NOTĂ: Folosiți treapta de viteză 2 pentru a amesteca sau frământa aluaturile cu drojdie. Utilizarea oricărei alte trepte de viteză generează o posibilitate mare de avariere a aparatului. Cârligul spiralat pentru frământare asigură frământarea eficientă a majorității aluaturilor cu drojdie în numai 4 minute.

Diagramă de capacitate

	Bol de 6,9 L
Făină	2 - 2,2 kg
Pâine	8 pâini de 450 g
Pricomidale / Biscuiți	160 de bucăți
Cartofi piure	3,6 kg

ÎNGRIJIRE ȘI CURĂȚARE

Bolul de oțel inoxidabil, bătătorul plat, telul de oțel inoxidabil și cârligul spiralat pentru frământare și jgheabul de turnare pot fi spălate în mașina automată de spălat vase. Nu folosiți agenți de curățare cu pH mai mic de 5. Sau, le puteți curăța bine cu apă caldă și clăti bine înainte de a le usca. Nu depozitați bătătoarele pe arbore. Mixerul cu soclu nu trebuie curățat cu jet de apă sau cu furtunul de spălat vase

AVERTISMENT

PERICOL DE ELECTROCUTARE

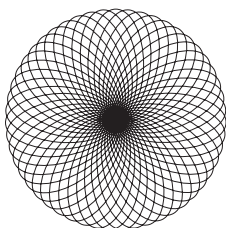
ASIGURAȚI-VĂ ÎNTOTDEAUNA CĂ AȚI DECONECTAT MIXERUL CU SOCLU ÎNAINTE DE A-L CURĂȚA.

Ștergeți Mixerul cu Soclu cu o cârpă moale și umedă. NU SCUFUNDAȚI ÎN APĂ. Ștergeți frecvent arborele telului, eliminând orice rest care se poate acumula.

SFATURI PENTRU REZULTATE OPTIME

A acțiunea planetară de mixare

În timpul funcționării, bătătorul plat se mișcă în jurul bolului staționar, rotindu-se în același timp, în direcție opusă, în jurul proprie sale axe. În diagramă este ilustrată toată raza de acțiune a bătătorului în bol.



Modelul 5KSM7990 are puterea nominală de 500 W și folosește un motor pe curent continuu. Este un motor silențios și extrem de eficient, combinat cu un sistem de transmisie directă: aceasta îi permite să susțină 1,3 cai putere la putere de vârf (putere de ieșire), asigurând rezultate rapide și excelente de amestecare, chiar și în cazul aluaturilor grele.

Durata de mixare

Mixerul cu soclu KitchenAid va mixa mai repede și mai complet decât majoritatea celorlalte mixere electrice. De aceea, durata de mixare la majoritatea rețetelor trebuie reglată pentru a evita baterea excesivă.

Pentru a determina timpul de mixare ideal, observați aluatul și amestecați numai până când dobândește aspectul descris în rețeta dvs., cum ar fi „omogen și cremos”. Pentru a selecta cele mai adecvate viteze de amestecare, utilizați secțiunea „Ghidul comenzilor privind viteza”.

Utilizarea mixerului

AVERTISMENT

PERICOL DE ACCIDENTARE

Pentru a evita vătămarea corporală și daunele la bătător, nu încercați să răzuți bolul în timp ce funcționează mixerul; opriți mixerul. Dacă scăpați racletă sau alte obiecte în bol, OPRIȚI motorul înainte de a le scoate.

Bolul și bătătorul au fost proiectate pentru a permite o mixare bună fără răzuire frecventă. Răzuirea bolului o dată sau de două ori în timpul amestecării este, de regulă, suficientă.

Mixerul cu soclu se poate încălzi în timpul funcționării. În condiții de sarcini mari pe perioade de mixare prelungite, este posibil să nu puteți atinge confortabil partea superioară a mixerului cu soclu. Acest lucru este normal.

Sfaturi privind mixarea

Adăugarea ingredientelor

Adăugați întotdeauna ingredientele cât mai aproape de marginea bolului și nu direct în bătătorul aflat în mișcare. Jghebul de turnare simplifică adăugarea ingredientelor. Folosiți viteza 1 până la incorporarea tuturor ingredientelor. Apoi măriți treptat viteza până la treapta dorită.

Adăugarea nucilor, stafidelor sau a fructelor confiate

Urmați rețete individuale pentru sfaturi privind includerea acestor ingrediente. În general, materialele solide ar trebui încorporate în ultimele câteva secunde de mixare cu treapta de viteză 1. Aluatul ar trebui să fie suficient de gros, încât să mențină nucile sau fructele la suprafață, fără a se lăsa la fundul tăvii în timpul coacerii. Fructele lipicioase ar trebui pudrate cu făină pentru o mai bună distribuție în aluat.

Amestecuri lichide

Amestecurile care conțin cantități mari de ingrediente lichide ar trebui mixate la trepte de viteză mică pentru a evita improșcarea. Măriți viteza numai după ce aluatul s-a îngroșat.

NOTĂ: Dacă ingrediente în partea de jos a bolului nu sunt bine amestecate, bătătorul nu este destul de coborât în bol. Consultați secțiunea „Instalarea mixerului cu soclu”.

SERVICE ȘI GARANȚIE

Cazuri în care aveți nevoie de service

⚠️ AVERTISMENT



Pericol de electrocutare

Scoateți din priză înainte de service.

Nerespectarea acestei instrucțiuni poate provoca ruperea oaselor, tăieturi sau zgârieturi.

Vă rugăm să citiți următoarele mențiuni înainte de a suna la centrul de service.

1. Mixerul cu soclu se poate încălzi în timpul funcționării. În condiții de sarcini mari pe perioade de mixare prelungite, este posibil să nu puteți atinge confortabil partea superioară a mixerului cu soclu. Acest lucru este normal.
2. Mixerul cu soclu poate degaja un miros înțepător mai ales când este nou. Acest lucru este normal pentru motoarele electrice.

3. Dacă bătătorul plat lovește bolul, opriți mixerul cu soclu. Consultați secțiunea „Instalarea mixerului cu soclu”.

Dacă mixerul cu soclu funcționează defectuos sau nu funcționează, vă rugăm să verificați următoarele:

- Mixerul cu soclu este conectat la curent?
- Siguranța din circuitul la care este conectat mixerul cu soclu se află în stare bună de funcționare? Dacă aveți o cutie cu disjunctoare, asigurați-vă că circuitul este închis.
- Comutatorul de oprire este tras?
- Opriți mixerul cu soclu timp de 10-15 secunde și apoi reporniți-l. Dacă tot nu pornește, lăsați-l să se răcească 30 de minute înainte de a-l porni din nou.
- Dacă problema nu se datorează uneia din cauzele de mai sus, consultați secțiunea „Centre de service”.

Garanție pentru mixerul profesional cu soclu și bol KitchenAid

Acoperirea garanției:	KitchenAid va plăti pentru:	KitchenAid nu va plăti pentru:
Europa, Australia și Noua Zeelandă: Pentru mixerul profesional 5KSM7990: garanție completă de un an de la data cumpărării.	Piese de schimb și manopera de reparație pentru remedierea defectelor de material sau manoperă. Serviciile trebuie să fie furnizate de către un Centru de service autorizat KitchenAid.	Defecțiuni rezultate din accidente, modificări, utilizare necorespunzătoare, abuz sau instalare/utilizare prin nerespectarea legislației electrice locale.

KITCHENAID NU ÎSI ASUMĂ RĂSPUNDEREA PENTRU DAUNE INDIRECTE.

SERVICE ȘI GARANȚIE

Centre de service

Toate lucrările de service trebuie executate la nivel local de un centru de service autorizat KitchenAid. Contactați dealerul de la care ați cumpărat aparatul pentru a obține numele celui mai apropiat centru de service autorizat KitchenAid.

BILANCIA EXIM SRL

DN1 KM 19,3 Corbeanca,
Ilfov, Romania

Vânzări:

Tel.: +40-(0)21-352.88.88

Fax: +40-(0)21-352.33.33

vanzari@bilancia.ro

www.bilancia.ro

Serviciul clienți

Service:

Tel.: +40-(0)21-352.38.68

Fax: +40-(0)21-352.38.68

service@bilancia.ro

www.bilancia.ro



Technology Center
303 Upton Drive, St. Joseph, MI 49085-1175

**EU – DECLARATION OF CONFORMITY
CE-DECLARATION DE CONFORMITE**

We: WHIRLPOOL CORPORATION, 303 UPTON DR., ST. JOSEPH, MI 49085, USA
Representing: WHIRLPOOL EUROPE S.r.l I-21025 COMERIO

Declare under sole responsibility that the product:

KitchenAid™ Stand Mixers: Model 5KSM79XX+

Where:

XX = up to 2 alphanumeric characters, which represents the features, distributor code and/or color

+ = May or may not be followed by five or more digit suffix codes to indicate change in aesthetics

to which this declaration relates, is in conformity with the following standard(s) or other normative document(s):

IEC 60335-1: Ed.5: 2010
IEC 60335-2-64: Edition 3.1 2008-03
EN 55014-1:2006 + A1:2009
EN 55014-2:1997 + A1:2001 + A2:2008
EN 61000-3-2:2006 + A1:2009 + A2:2009
EN 61000-3-3:2008
EN 62233:2008

The model listed conforms to the provisions of Directive (s):

2004/108/EC	ELECTROMAGNETIC COMPATABILITY DIRECTIVE
2006/95/EC	LOW VOLTAGE DIRECTIVE
2006/42/EC	MACHINERY DIRECTIVE
10/2011/EU	PLASTIC MATERIALS INTENDED TO CONTACT FOOD
1935/2004/EC	MATERIALS INTENDED TO CONTACT FOOD

Place and Date:

Saint Joseph, MI, USA
30 January, 2012

Represented by:

Mark Dahmer
Engineering Director
KitchenAid Portable Appliances Division

Română



FOR THE WAY IT'S MADE.

© 2012. Toate drepturile rezervate.
Specificațiile pot fi modificate fără preaviz.

W10308298C

07/12





KitchenAid

6.9 L PROFESSIONAL BOWL-LIFT STAND MIXER

Original Instructions

KÜCHENMASCHINE MIT SCHÜSSELHEBER UND 6,9 L SCHÜSSEL FÜR DEN GEWERBLICHEN EINSATZ

Originalanleitungen

ROBOT SUR SOCLE PROFESSIONNEL À BOL RELEVABLE DE 6,9 L

Instructions d'origine

ROBOT DA CUCINA PROFESSIONALE CON SOLLEVAMENTO CIOTOLA DA 6,9 L

Istruzioni originali

6,9 L PROFESSIONELE MIXER/KEUKENROBOT MET IN DE HOOGTE VERSTELBARE KOM

Originele instructies

BATIDORA PROFESIONAL DE PIE CON BOL ELEVABLE DE 6,9 L

Instrucciones originales

BATEDEIRA PROFISSIONAL COM SUPORTE PARA TAÇA DE 6,9 L

Intruções originais

ΕΠΑΓΓΕΛΜΑΤΙΚΟ ΜΙΞΕΡ ΜΕ ΒΑΣΗ ΚΑΙ ΥΠΕΡΥΨΩΜΕΝΟ ΜΠΟΛ 6,9 L

Αρχικές οδηγίες

6,9 L PROFESSIONELL KÖKSMASKIN MED SKÅL PÅ HÄVARM

Originalinstruktioner

6,9 L BOLLELØFTENDE KJØKKENMASKIN

Originale instruksjoner

6,9 L AMMATTIKÄYTTÖÖN TARKOITETTU YLEISKONE

Alkuperäiset ohjeet

6,9 L PROFESSIONEL KØKKENMASKINE MED SKÅLLØFT

Originale Instruktioner

6,9 L BORDHRÆRIVÉL MEÐ LYFTANLEGRI SKÁL FYRIR FAGFÓLK

Upphaflegar leiðbeiningar

ПРОФЕССИОНАЛЬНЫЙ МИКСЕР СО СЪЕМНОЙ ЧАШЕЙ 6,9 Л

Оригинальные инструкции

PROFESJONALNY MIKSER STOJĄCY Z PODNOSZONĄ DZIEŻĄ 6,9 L

Originalna instrukcja

PROFESIONÁLNÍ KUCHYŇSKÝ ROBOT SE ZVEDACÍ MÍSOU O OBJEMU 6.9 L

Originální pokyny

PROFESIONÁLNY KUCHYŇSKÝ ROBOT SO ZDVÍHACOU MISOU O OBJEME 6,9 L

Originálne pokyny

MIXER PROFESIONAL CU SOCLU ŞI BOL DE 6,9 L

Instrucţiuni originale

ПРОФЕСИОНАЛЕН КУХНЕНСКИ РОБОТ С ПОВДИГАЩА СЕ КУПА С ВМЕСТИМОСТ 6,9 L

Оригинални инструкции

Model 5KSM7990



Съдържание

БЕЗОПАСНОСТ НА КУХНЕНСКИЯ РОБОТ	
Важни предпазни мерки.....	273
Изисквания към електрическите уреди.....	274
Изхвърляне на електрически уреди.....	274
ЧАСТИ И ХАРАКТЕРИСТИКИ	275
ПОДГОТОВКА ЗА РАБОТА НА КУХНЕНСКИЯ РОБОТ	
Сглобяване на кухненския робот.....	276
Регулиране на разстоянието от бъркалката до купата.....	278
ИЗПОЛЗВАНЕ НА ВАШИЯ КУХНЕНСКИ РОБОТ	
Използване на приставките на KitchenAid.....	278
Ръководство за контрол на скоростите - 10 степени на скоростите.....	279
ГРИЖА И ПОЧИСТВАНЕ	280
СЪВЕТИ ЗА ОТЛИЧНИ РЕЗУЛТАТИ	
Работа на планетарната бъркалка.....	281
Време за разбъркване.....	281
Употреба на миксера.....	281
Съвети при бъркане.....	281
РЕМОНТ И ГАРАНЦИЯ	
Когато ви е необходим ремонт.....	282
Гаранция за професионален кухненски робот с повдигаща се купа на KitchenAid.....	282
Сервизни центрове.....	283
Отдел „Обслужване на клиенти“.....	283

БЕЗОПАСНОСТ НА КУХНЕНСКИЯ РОБОТ

Вашата безопасност и безопасността на другите са много важни.

В това ръководство и на Вашите уреди се намират много важни указания за безопасност. Винаги четете и спазвайте всички инструкции за безопасност.



Това е знак за предупреждение за безопасност.

Този знак Ви предупреждава за възможни опасности, които биха могли да доведат до смърт или до наранявания.

Всички съобщения за безопасност се намират след този знак или след думата „ОПАСНОСТ“ или „ПРЕДУПРЕЖДЕНИЕ“. Тези думи означават:

ОПАСНОСТ

Ако незабавно не спазите тези инструкции, това може да доведе до смърт или тежки наранявания.

ПРЕДУПРЕЖДЕНИЕ

Ако не спазвате тези инструкции, това може да доведе до вашата смърт или до сериозно нараняване.

Всички указания за безопасност обясняват потенциалната опасност и ви казват как да намалите опасността от нараняване, като информират за последиците при неспазване на инструкциите.

Важни предпазни мерки

При употреба на електрически уреди винаги да се спазват основните мерки за безопасност, включително и следните такива:

1. Прочетете всички инструкции.
2. Да не се поставя кухненския робот във вода или в други течности, за да се избегне опасността от електрически удар.
3. Трябва много да внимавате, когато каквито и да са уреди се използват от или близо до деца.
4. Изключете кухненския робот от контакта, когато не го използвате, както и преди да поставите или махнете части, а и преди почистване.
5. Избягвайте да пипате движещите се части. Ръцете, косите, дрехите, както и шпатулите или други принадлежности не бива да са в контакт по време на работата на кухненския робот с бъркалката, за да се намали опасността от нараняване на хора и/или повреда на кухненския робот.
6. Не работете с кухненския робот, ако шнурът или щепселът са повредени или след неизправности по кухненския робот - ако е изпускан или повреден по какъвто и да е начин.
7. Употребата на приставки, които не се препоръчват или продават от KitchenAid може да предизвика пожари, токови удари или наранявания.
8. Не използвайте кухненския робот на открито.
9. Не оставяйте кабела да виси от ръба на масата или на работния плот.
10. Преди измиване, сваляйте плоската бъркалка, телта за разбиване на белтъци или вилката за тесто от кухненския робот.
11. Този уред не е предназначен за употреба от хора (вкл. деца) с намалени физически сетивни или умствени възможности, или при липса на опит и знания, освен ако не са наблюдавани или инструктирани за употребата на уреда от лице, което отговаря за тяхната безопасност.

ЗАПАЗЕТЕ ТЕЗИ ИНСТРУКЦИИ
ТОЗИ ПРОДУКТ Е ПРЕДНАЗНАЧЕН САМО
ЗА ПРОФЕСИОНАЛНА УПОТРЕБА

БЕЗОПАСНОСТ НА КУХНЕНСКИЯ РОБОТ

Изисквания към електрическите уреди

ПРЕДУПРЕЖДЕНИЕ



Опасност от токов удар

Включете шнура в заземен контакт.

Не изваждайте заземителната скоба.

Не използвайте адаптер.

Не употребявайте шнур за удължаване.

Неспазването на тези инструкции може да доведе до смърт, пожар или токов удар.

Напрежение на мрежата във волтове: 220-240 А.С.

Честота: 50/60 Hz

Захранване: 325 W, препоръчително време за работа: 1-30 минути с работен цикъл от 10 мин. ВКЛ/ 15 мин. ИЗКЛ.

ЗАБЕЛЕЖКА: Номиналната мощност на кухненския робот е отпечатана върху фирмената табелка на дъното на вашия уред.

Да не се използва удължител на кабела. Ако електрозахранващият кабел е прекалено къс, специалист електротехник или сервизен техник да постави контакт близо до кухненския робот.

Консумираната енергия се определя чрез използване на приставката, която се нуждае от най-голямото натоварване (ток). Възможно е други приставки да използват значително по-малко ток.

Този продукт се предлага с Y-тип захранващ кабел. Ако захранващият кабел е повреден, трябва да се смени от производителя или от сервизен техник, за да се избегнат опасности.


Нивото на звуковото налягане, измерено в съответствие с нормите и правилата за изпитвания на стандарт prEN 454 за безопасност и хигиенни изисквания на машини за обработване на хранителни продукти, е по-малко от 70 dBA.

„*“ в номера на модела указва допълнителни знаци, които описват цвета на машината и конструкторски цифри, които се отнасят до действителния модел (напр. SKSM7990*).

Изхвърляне на електрически уреди

Този уред е маркиран в съответствие с изискванията на европейската Директива 2002/96/ЕО относно отпадъци от електрическо и електронно оборудване (МЕЕЕ).

Като направите така, че да изхвърлите продукта според изискванията, ще избегнете потенциални отрицателни последствия за околната среда и човешкото здраве, които иначе биха възникнали от неподходяща обработка при изхвърляне на този продукт.

Знакът  върху продукта или на приложените документи показва, че този уред не може да се счита за битов отпадък от домакинството.

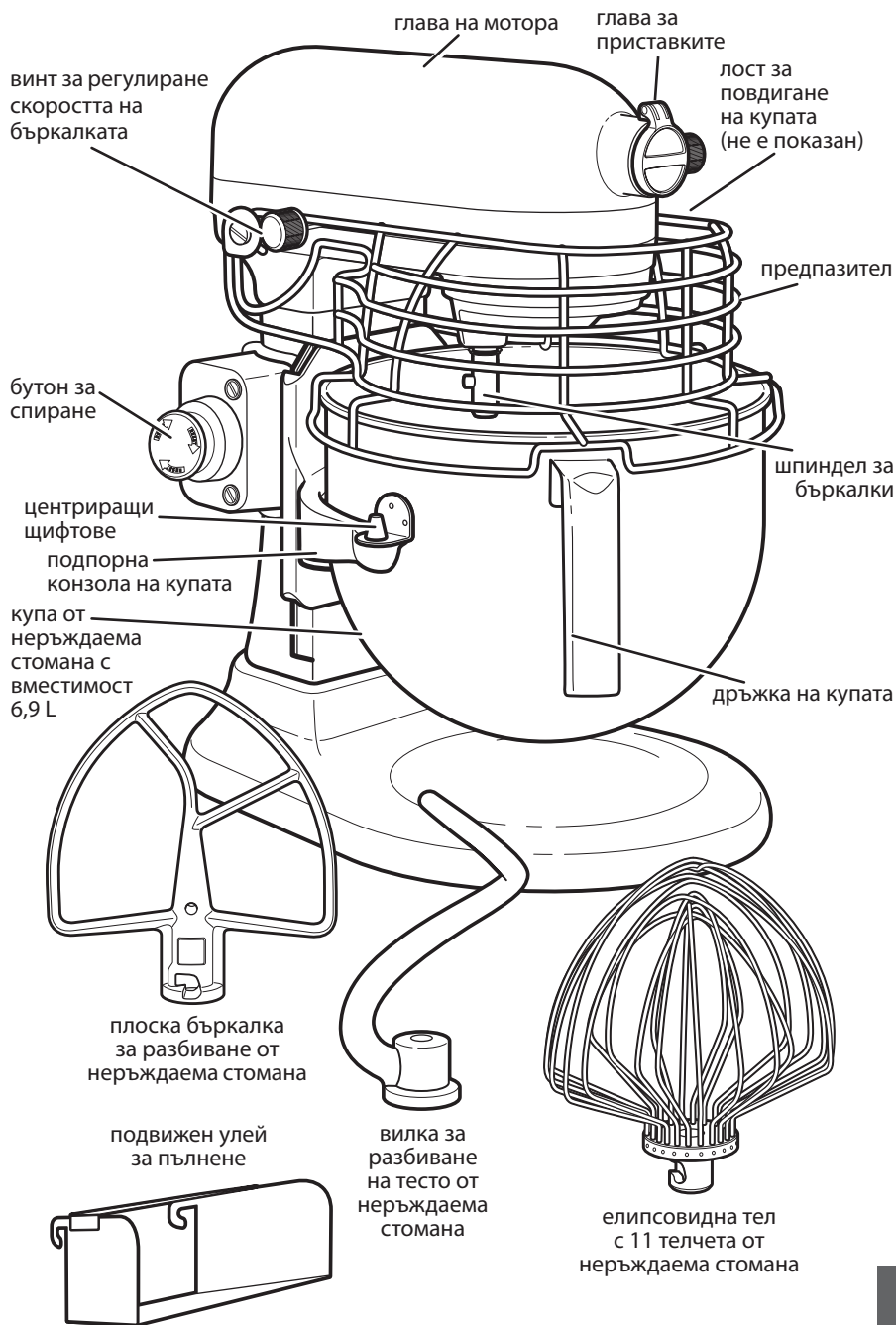
274

Вместо това, трябва да бъде предаден в съответния пункт за събиране и рециклиране на отпадъци от електрическо и електронно оборудване.

Изхвърлянето трябва да се извърши в съответствие с местните екологични разпоредби за изхвърляне на отпадъци.

Моля, обърнете се към съответните общински служби, към местния пункт за рециклиране на битови отпадъци или към търговеца, от когото сте закупили продукта, за да получите по-подробна информация за ремонт, поправка и рециклиране.

ЧАСТИ И ХАРАКТЕРИСТИКИ



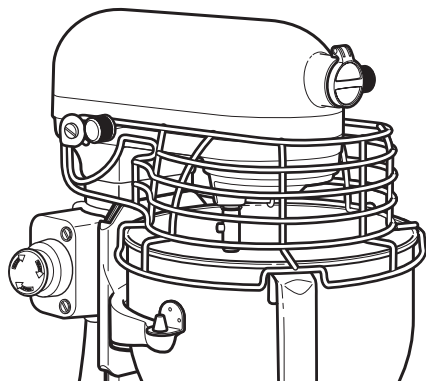
ПОДГОТОВКА ЗА РАБОТА НА КУХНЕНСКИЯ РОБОТ

Сглобяване на кухненския робот

Поставяне на купата

1. Завъртете копчето за контрол на скоростта на „0“ (ИЗКЛ.).
2. Изтеглете щепсела на кухненския робот от контакта или прекъснете токозахранването.
3. Повдигнете предпазителя.
4. Поставете лоста за повдигане на купата в долно положение.
5. Поставете подпърнатата конзола на купата над центриращите щифтове.
6. Притиснете купата отзад, докато центриращите щифтове не щракнат в пружинния блокиращ палец.

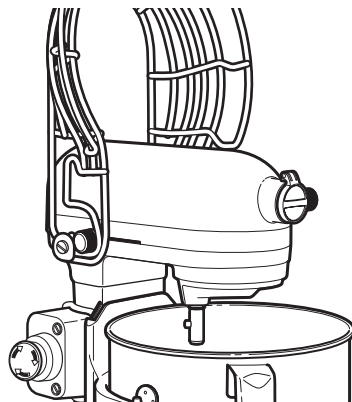
ЗАБЕЛЕЖКА: Ако купата не е здраво закрепена, тя ще е нестабилна и ще се клати по време на работа.



7. Свалете предпазителя.
8. Повдигнете купата преди да започне бъркането.

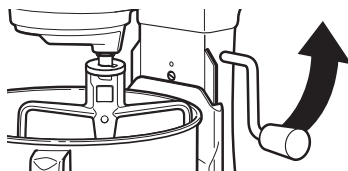
Сваляне на купата

1. Завъртете копчето за контрол на скоростта на „0“ (ИЗКЛ.).
2. Изтеглете щепсела на кухненския робот от контакта или прекъснете токозахранването.



3. Повдигнете предпазителя.
4. Поставете лоста за повдигане на купата в долно положение.
5. Свалете плоската бъркалка, телта за разбиване на белтъци или вилката за тесто.
6. Хванете дръжката на купата и я повдигнете право нагоре, като я откачите от центриращите щифтове.

Повдигане на купата



1. Завъртете лоста обратно на часовниковата стрелка до положение право нагоре.
2. Купата трябва винаги да е в повдигнато положение при разбъркване.

Снижаване на купата

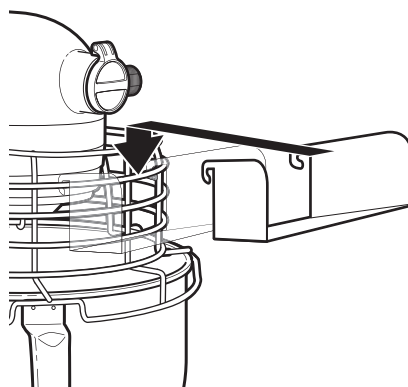
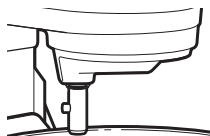
1. Завъртете лоста назад и надолу.

ПОДГОТОВКА ЗА РАБОТА НА КУХНЕНИЯ РОБОТ

МОНТАЖ: Кухненският робот трябва да се монтира върху равна и стабилна повърхност като плот или помощна маса.

Закрепване на плоската бъркалка, телта за разбиване на белтъци или вилката за тесто

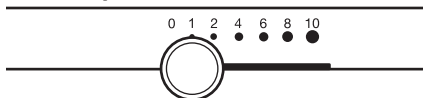
1. Завъртете копчето за контрол на скоростта на „0“ (ИЗКЛ.).
2. Изтеглете щепсела на кухненския робот от контакта или прекъснете токозахранването.
3. Повдигнете предпазителя.
4. Плъзнете плоската бъркалка върху шпиндела за бъркалката и я натиснете възможно най-нагоре.
5. Завъртете плоската бъркалка надясно, при което я закачете в щифта на вала.



Сваляне на плоската бъркалка, телта за разбиване на белтъци или вилката за тесто

1. Завъртете копчето за контрол на скоростта на „0“ (ИЗКЛ.).
2. Изтеглете щепсела на кухненския робот от контакта или прекъснете токозахранването.
3. Повдигнете предпазителя.
4. Натиснете плоската бъркалка възможно най-нагоре и я завъртете наляво.
5. Изтеглете плоската бъркалка от шпиндела.

лост за регулиране скоростта на миксера



Функцията „Мек старт“ намалява до минимум разплискването като бавно стартирате миксера преди да увеличите до желаната скорост. За по-нататъшно намаляване възможността за разплискване, винаги започвайте смесването с първа скорост, после постепенно минете на по-високи скорости според нуждата. Вижте „Ръководство за управление на скоростта“.

Подвижен улей за пълнене

Подвижният улей за пълнене лесно се прикачва към предната част на предпазителя както е показано на горната илюстрация. Това приспособление е удобно за добавяне на съставки в купата на кухненския робот.

Защита от автоматично рестартиране на мотора

Ако кухненският робот спре поради претоварване, плъзнете лоста за контрол на скоростта на „0“ (ИЗКЛ.) и извадете щепсела от контакта. След няколко минути кухненският робот автоматично се връща в изходно положение. Включете отново щепсела в контакта и плъзнете лоста за контрол на скоростта на желаната скорост, продължете да бъркате. Ако кухненският робот не се рестартира, изключете кухненския робот за по-дълъг период от време, за да му позволите да се охлади, после включете отново в контакта и рестартирайте отново кухненския робот. Ако кухненският робот не се рестартира, вижте „Когато ви е необходим ремонт“.

Бутон за спиране

Ако трябва да спрете незабавно кухненския робот по време на употреба, натиснете бутона за спиране. За да започнете пак работа, поставете лоста за управление на скоростите на „0“ (ИЗКЛ.) и изтеглете бутона за спиране. След това кухненският ви робот отново е готов за нормалта употреба.

ПОДГОТОВКА ЗА РАБОТА НА КУХНЕНСКИЯ РОБОТ

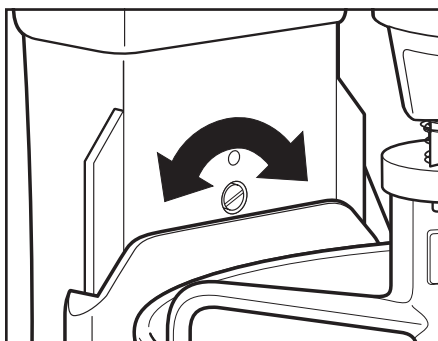
Регулиране на разстоянието от бъркалката до купата

Кухненският робот е настроен в завода-производител така, че плоската бъркалка да не докосва дъното на купата. Ако, поради някаква причина, плоската бъркалка докосва дъното на купата или е прекалено отдалечена от дъното, разстоянието може лесно да се поправи.

1. Завъртете копчето за контрол на скоростта на „0“ (ИЗКЛ.).
2. Изтеглете щепсела на кухненския робот от контакта или прекъснете токозахранването.
3. Повдигнете предпазителя.
4. Снизете купата до основно положение.
5. Леко завъртете винта за регулиране височината на бъркалките в посока, обратна на часовниковата стрелка (наляво), за да повдигнете плоската бъркалка или по посока на часовниковата стрелка (надясно), за да я свалите надолу.
6. Настройте плоската бъркалка така, че да се намира точно над повърхността на купата. Ако пренатегнете винта, лостът за повдигане на купата може да не превърти.

ЗАБЕЛЕЖКА: При правилна настройка плоската бъркалка не докосва дъното или стените на купата. Ако плоската бъркалка или телта за разбиване на белтъци от неръждаема стомана са толкова близо, че се удрят в дъното на купата, покритието на плоската бъркалка (за бъркалки с покритие) или теловете на телта за разбиване на белтъци от неръждаема стомана могат да се износят.

При определени условия, въпреки настройката на бъркалките, може да се наложи изтъргване на страните на купата. Кухненският робот трябва да се спре, за да се остърже купата или миксерът може да се повреди.



ИЗПОЛЗВАНЕ НА ВАШИЯ КУХНЕНСКИ РОБОТ

Използване на приставките на KitchenAid

Плоска бъркалка за нормални до гъсти смеси (Препоръчителното време за работа е от 1 до 10 минути, в зависимост от рецептата):

торти	бисквити
разбити на пяна захарни глазури	сладки хлябове
бонбони	руло от кайма
сладки	пюре
тесто за рула	

Тел за разбиване за смеси, които трябва да се набухват (Препоръчителното време за работа е от 1 до 30 минути, в зависимост от рецептата):

яйца	кипнати захарни глазури
белтъци	пандишпани
пълномаслена сметана	майонеза

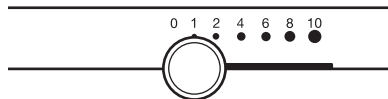
Вилка за тесто за разбъркване и месене на тесто с мая (Препоръчителното време за работа е от 1 до 10 минути, в зависимост от рецептата):

хляб	кейк за кафе
малки франзели	кифли

ИЗПОЛЗВАНЕ НА КУХНЕНСКИЯ РОБОТ

Ръководство за контрол на скоростите - 10 степени на скоростите

За всички скорости се предлага функцията „Мек старт“, при която кухненският робот автоматично тръгва с по-ниска скорост, за да не се разпръскват хранителните продукти или разпилява брашното. След това скоростта бързо се увеличава до необходимата за оптималната производителност зададена скорост.



Скорост	Използвани за	Принадлежности	Описание
1	Разбъркване		За бавно бъркане, смесване, мачкане, за започване на всички процедури на бъркане. За добавяне на брашно и сухи съставки за месене на тесто, както и за добавяне на течности към сухите съставки. Не използвайте скорост 1 за смесване или месене на тесто с мая.
2	Бавно смесване, месене		За бавно бъркане, мачкане и за по-бързо разбъркване. За смесване и омесване на тесто с мая, по-тежко тесто, както и за сладкиши; за намачване на картофи за пюре или на други зеленчуци; за намаляване на мазнината в брашното, за смесване на редки или на по-течни теста, които пръскат.
4	Смесване, разбиване		За смесване на средно тежки теста като за сладки. За разбъркване на захар и мазнина, както и за добавяне на захар към белтъците за целувки. Средна скорост за смеси за торти.
6	Разбиване и набухване		За средно-бързо разбиване (за получаване на каймак) или за набухване. За последното бъркане на тестото за торти, тесто за понички и други теста. Високи скорости за смеси за торти.
8-10	Бързо разбиване, набухване и бързо набухване		За разбиване на сметана, белтъци и варени захарни глазури. За разбиването на малки количества сметана, белтъци или за последното набухване на картофено пюре.

ЗАБЕЛЕЖКА: Използвайте скорост 2 за смесване или месене на тесто с мая. При използването на други степени на скоростите съществува опасност от отказ на кухненския робот. Вилката за месене на тесто PowerKnead ефективно омесва повечето теста с мая в рамките на 4 минути.

Схема на капацитета

	Купа с вместимост 6,9 L
Брашно	от 2 до 2,2 кг
Хляб	8 хляба по 450 г
За сладки / бисквити	160 броя
За картофено пюре	3,6 кг

ГРИЖА И ПОЧИСТВАНЕ

Купата от неръждаема стомана, плоската бъркалка, телта за разбиване на белтъци, вилката за бъркане на тесто и улея за пълнене могат да се мият в съдомиялна машина. Не използвайте почистващи препарати с рН по-ниско от 5. Или ги почистете внимателно в гореща сапунена вода, изплакнете с чиста вода преди да подсушите. Не оставяйте бъркалките на шпиндела. Кухненския робот не трябва да се почиства с водна струя или маркуч с пръскаща система.

ПРЕДУПРЕЖДЕНИЕ

ОПАСНОСТ ОТ ТОКОВ УДАР

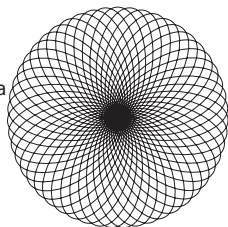
ВИНАГИ ИЗВАЙЖДАЙТЕ ШНУРА НА МИКСЕРА ОТ КОНТАКТА ПРЕДИ ДА ГО ПОЧИСТИТЕ, ЗА ДА ИЗБЕГНЕТЕ ВЕРОЯТЕН РИСК ОТ ТОКОВ УДАР.

Миксерът трябва да се избърсва с влажна кърпа. **ДА НЕ СЕ ПОТАВЯ ВЪВ ВОДА.** Валът на бъркалката да се избърсва редовно и да се отстраняват събралите се там остатъци от хранителни продукти.

СЪВЕТИ ЗА ОТЛИЧНИ РЕЗУЛТАТИ

Работа на планетарната бъркалка

По време на работа плоската бъркалка се движи в неподвижната купа и същевременно се върти в обратна посока около собствената си ос. Схемата показва каква площ от купата покрива плоската бъркалка.



Модел 5KSM7990 работи при напрежение от 500 вата и използва мотор с постоянен ток. Това е тих и високоефективен мотор, комбиниран със система с директна предавка: това позволява да се задвижва с 1,3 конски сили при максимална мощност (изходна мощност на мотора), като се постига бърз и изключителен резултат на бъркане даже и при тежко тесто.

Време за разбъркване

Вашият кухненски робот от KitchenAid ще смесва по-бързо и по-гладко от повечето електрически миксери. Затова времето на разбъркване при повечето рецепти трябва да бъде настроено така, че да се избегне прекаленото разбъркване.

За да определите идеалното време за разбъркване, наблюдавайте тестото и разбърквайте само, докато се получи желания вид описан в рецептата, като напр. „гладко и кремообразно“. За да изберете най-добрите скорости за бъркане, вижте раздела „Ръководството за управление на скоростите“.

Употреба на миксера

⚠ ПРЕДУПРЕЖДЕНИЕ

ОПАСНОСТ ОТ НАРАНЯВАНЕ

За да избегнете нараняване и повреда на плоската бъркалка, не се опитвайте да изстържете купата, докато миксерът работи; изключете миксера. Ако плоската бъркалка или друг предмет падне в купата, изключете миксера преди да го извадите.

Купата и плоската бъркалка са конструирани да осигуряват основно бъркане без често изстъргване. При бъркане обикновено е достатъчно купата да бъде изстъргана един или два пъти.

Кухненският робот може да се нагрее по време на работата. При по-силно натоварване и по-дълго време на бъркане, горната част на кухненския робот може така да се сгоречи, че да не можете да я пипнете. Това е нормално.

Съвети при бъркане

Добавяне на съставки

Винаги добавяйте съставките възможно най-близо до ръба на купата, а не директно към въртящата се бъркалка. Улеят за сипване може да се използва за улесняване добавянето на съставките. Използвайте първа скорост до смесване на съставките. След това постепенно увеличете до желаната скорост.

Добавяне на ядки, стафиди или захаросани плодове

Изпълнявайте отделните рецепти за насоки как да добавите тези съставки. Като цяло, твърдите продукти трябва да се поставят в последните няколко секунди от бъркането на първа скорост. Тестото би трябвало да е достатъчно гъсто, така че ядките или плодовете да не падат на дъното на формата при печене. Лепкавите плодове да се поръсят с брашно, за да се постигне по-добро разпределяне в тестото.

Течни смеси

Смеси, които съдържат големи количества течни съставки, трябва да се разбъркват при по-ниска скорост, за да се избегне пръскането навън. Увеличете скоростта само, след като сместта се сгъсти.

ЗАБЕЛЕЖКА: Ако съставките на самото дъно на купата не са добре смесени, тогава бъркалката не е достатъчно близо до дъното на купата. Вижте раздела „Подготовка за работа на кухненски робот“.

РЕМОНТ И ГАРАНЦИЯ

Когато ви е необходим ремонт

⚠ ПРЕДУПРЕЖДЕНИЕ



Опасност от токов удар

Извадете шнура от контакта, преди да почистите миксера.

Неспазването на инструкциите може да доведе до смърт или токов удар.

Моля, прочетете следните указания преди да се обадите на сервизния център.

1. Кухненският робот може да загрее по време на употреба. При по-силно натоварване и по-дълго време на бъркане, горната част на кухненския робот може така да се нагрее, че да не можете да я пипнете. Това е нормално.
2. Кухненският робот може да излъчва остър мирис особено, ако още е нов. Това е нормално при електрическите мотори.

3. Ако плоската бъркалка се удря в купата, спрете кухненския робот. Вижте раздела „Подготовка за работа на вашия кухненски робот“.

Когато кухненският ви робот се повреди или не работи, моля, проверете следното:

- Включен ли е кухненския робот в контакта?
- Дали предпазителя в токовата верига за кухненския робот е изправен? Ако имате табло с предпазители, уверете се, че ел.веригата е затворена.
- Дали стоп бутон е освободен?
- Изключете кухненския робот за 10-15 секунди, после отново го включете. Ако миксерът все още не тръгва, оставете го да се охлади за 30 минути преди да го включите отново.
- Ако проблемът не се дължи на нито едно от горното, вижте раздела „Сервизни центрове“.

Гаранция за професионален кухненски робот с повдигаща се купа на KitchenAid

Валидност на гаранцията:	KitchenAid плаща за:	KitchenAid няма да плаща за:
Европа, Австралия и Нова Зеландия: За професионален миксер 5KSM7990: Една година пълна гаранция от датата на покупката.	Разходите за смяна на части и за работа по ремонт за поправяне на дефекти в материали или изработка. Сервизът трябва да се осигури от оторизиран сервизен център на KitchenAid.	Повреда в резултат от злополука, промени, неправилна употреба, чупене или монтаж/работа, които не са в съответствие с местните разпоредби за електрическите уреди.

KITCHENAID НЕ ПОЕМА НИКАКВА ОТГОВОРНОСТ ЗА НЕПРЕКИ ЩЕТИ.

РЕМОНТ И ГАРАНЦИЯ

Сервизни центрове

Всички сервизни услуги трябва да се извършват по места от оторизирани сервизни центрове на KitchenAid . Свържете се с търговеца, от когото е закупен уреда, за да получите името на най-близкия оторизиран сервизен център на KitchenAid.

В България:

Пирита ЕООД
Ул. Цар Иван Асен II, No 6, ет.2, тел.:
02/9731131

Отдел „Обслужване на клиенти“.

В България:

Пирита ЕООД
Ул. Цар Иван Асен II, No 6, ет.2, тел.:
02/9731131



Technology Center
303 Upton Drive, St. Joseph, MI 49085-1175

**EU – DECLARATION OF CONFORMITY
CE-DECLARATION DE CONFORMITE**

We: WHIRLPOOL CORPORATION, 303 UPTON DR., ST. JOSEPH, MI 49085, USA
Representing: WHIRLPOOL EUROPE S.r.l I-21025 COMERIO

Declare under sole responsibility that the product:

KitchenAid™ Stand Mixers: Model 5KSM79XX+

Where:

XX = up to 2 alphanumeric characters, which represents the features, distributor code and/or color

+ = May or may not be followed by five or more digit suffix codes to indicate change in aesthetics

to which this declaration relates, is in conformity with the following standard(s) or other normative document(s):

IEC 60335-1: Ed.5: 2010
IEC 60335-2-64: Edition 3.1 2008-03
EN 55014-1:2006 + A1:2009
EN 55014-2:1997 + A1:2001 + A2:2008
EN 61000-3-2:2006 + A1:2009 + A2:2009
EN 61000-3-3:2008
EN 62233:2008

The model listed conforms to the provisions of Directive (s):

2004/108/EC	ELECTROMAGNETIC COMPATABILITY DIRECTIVE
2006/95/EC	LOW VOLTAGE DIRECTIVE
2006/42/EC	MACHINERY DIRECTIVE
10/2011/EU	PLASTIC MATERIALS INTENDED TO CONTACT FOOD
1935/2004/EC	MATERIALS INTENDED TO CONTACT FOOD

Place and Date:
Saint Joseph, MI, USA
30 January, 2012

Represented by:

Mark Dahmer
Engineering Director
KitchenAid Portable Appliances Division



FOR THE WAY IT'S MADE.

© 2012. Всички права запазени.

Спецификациите подлежат на промяна без предизвестие.

W10308298C

07/12