






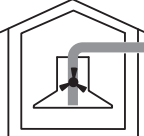


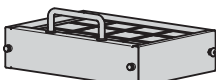
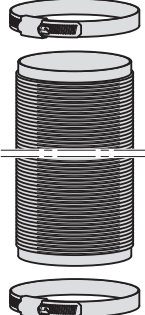
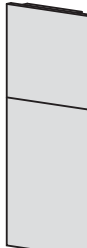


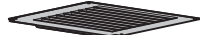




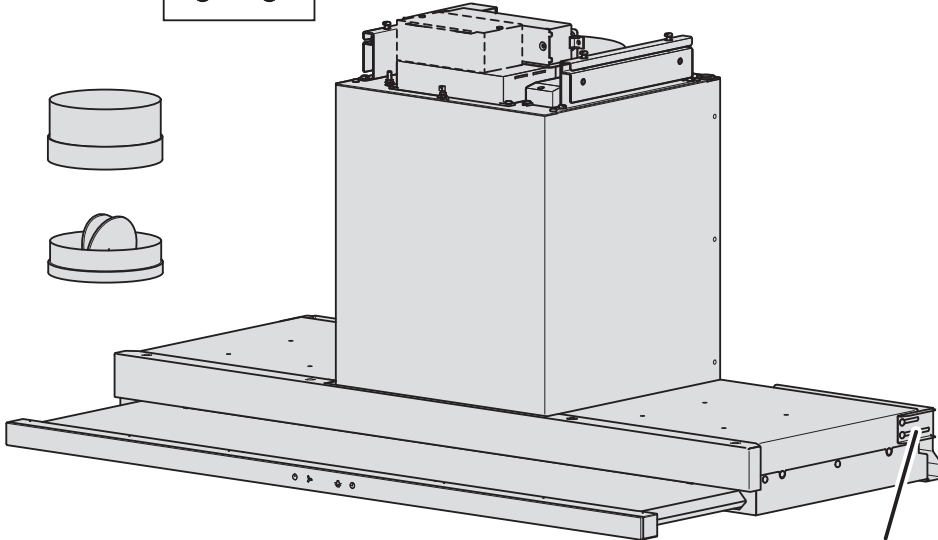




	<b>1 ... 18</b>	<input checked="" type="checkbox"/> 61036, DFPQSL5 <input checked="" type="checkbox"/> 61037, DFPQSL6 <input checked="" type="checkbox"/> 61038, DFPQSL9	<input checked="" type="checkbox"/> 61057, AE6T5FT.., AE6T5FTP.. <input checked="" type="checkbox"/> 61058, AE6T6FT.., AE6T6FTP.. <input checked="" type="checkbox"/> 61059, AE6T6FTP.. <input checked="" type="checkbox"/> 61060, AE6T9FT.., AE6T9FTP.. <input checked="" type="checkbox"/> 61065, AE6T9FTP..
---	-----------------	--	--

			
			1045238 1071178 1045239 1071179 1045240 1071180 1045241 1071181 1057435 1057436 1057437 1057438
			

  		  	  	351-370  
--	---	--	---	--

	  	
		330-350 

	550/600	900
 4.3x12.5	8x	12x
 M4x20	4x	4x
	4x	12x

