



## 8 REFRESH-BUTLER – the textile care system

### 8.1 Installation

#### General condition



To prevent an impermissible rise in temperature and humidity, the room must be min. 20m<sup>3</sup>, or sufficiently large inlet and outlet openings to an adjacent room or to the outside must be available (open windows, ventilation grilles or slots in the door, ventilation systems). On the other hand there is the possibility of using the waste heat.

Normal bathroom extractor fans are not adequate for optimal room ventilation. They switch off with the light after a preset after-running time.

Through the heat recovery of the heat pump dryer, heat dissipation is greatly reduced resulting in the imposition of far fewer demands on the installation room. Heat pump dryers affect their environment like a heater blower with a heat output of approx. 700W. The appliance can be levelled by means of adjustable feet. The room must be kept free of dust and fluff.

#### Room climate and ventilation

##### Room temperature

Permissible room temperature: 5 °C to 30 °C



The room temperature should be kept as low as possible to ensure the economic running of the appliance. Critical is a room temperature of 30 °C and over. This prolongs the duration of the programmes. High temperatures can also result in error messages and impair the service life of the appliance.

##### Ventilation

As a general rule, rooms containing a textile care appliance must be ventilated as these produce some humidity. For each heat pump dryer, the passage of exhaust and intake air must be guaranteed. EXHAUST AIR requires INTAKE AIR. At least the same amount of air must be supplied to as is being extracted from the room. If the room is kept closed, the installation room volume must be min. 20 m<sup>3</sup>.

## 8.2 Positioning



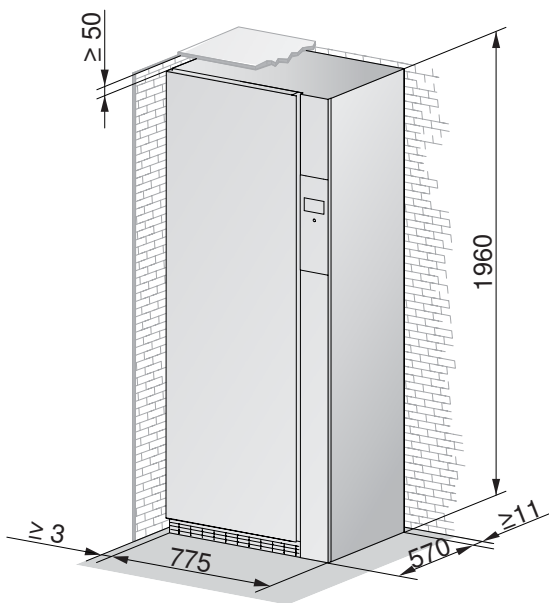
To prevent disturbing noise and vibration the appliance must not come into contact with the surrounding walls of its installation location. It is imperative to comply with the supplied installation instructions for positioning the appliance.

- ▶ The appliance must be horizontal and stable. Check with a spirit level.
- ▶ The appliance must not "wobble" in the case of a crosswise load.

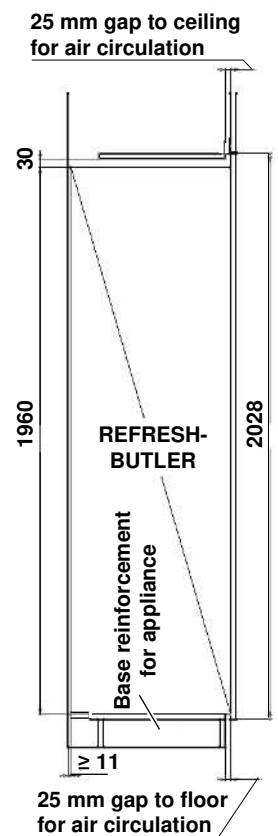
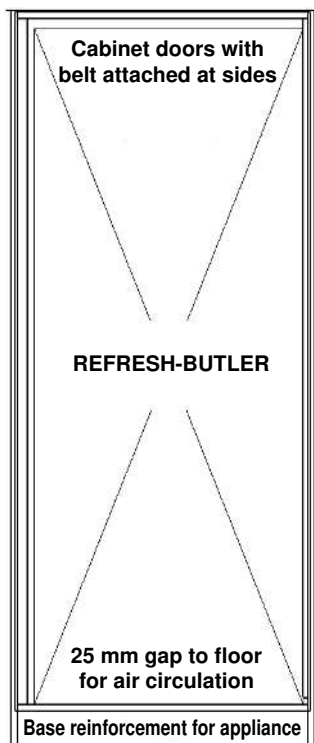
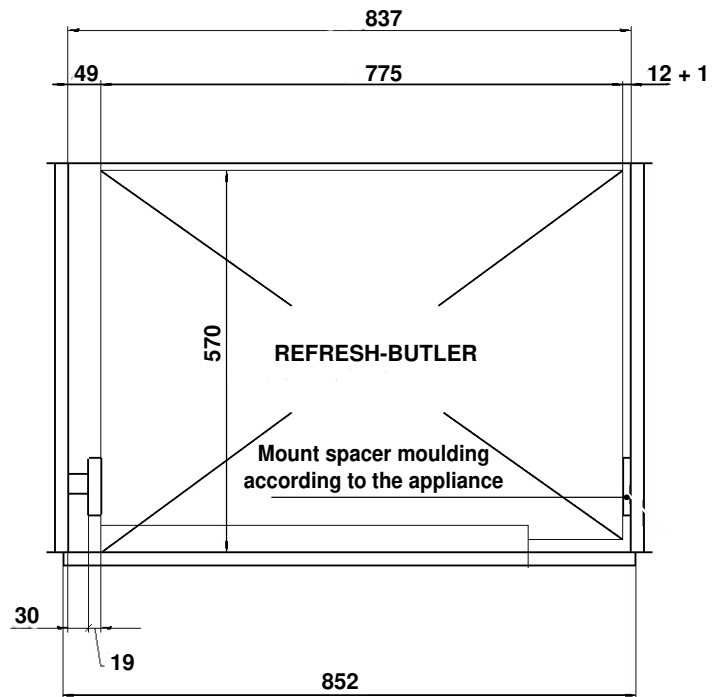
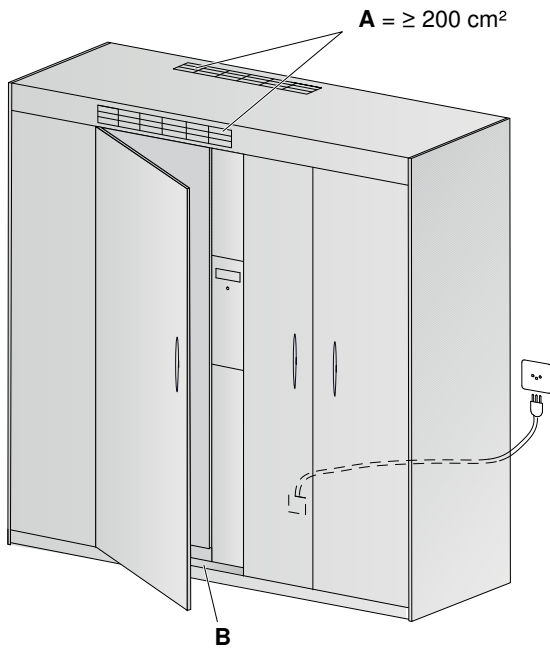
### Free-standing position



When positioning a REFRESH-BUTLER so that it is free-standing, a distance of min. 3 mm must be kept to the walls to the left and right.



**Positioning in a niche**



- A** Ventilation slit on the top at the back or above the cabinet door    **B** Load-bearing capacity of cabinet floor: min. 170 kg